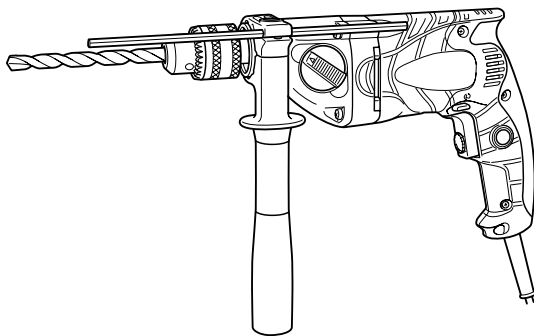


# HITACHI

**Drill**  
**Bohrmaschine**  
**Δράπανο**  
**Wiertarka**  
**Fúrógép**  
**Vrtačka**  
**Matkap**  
**Электродрель**

**D 10VJ • D 13VH**

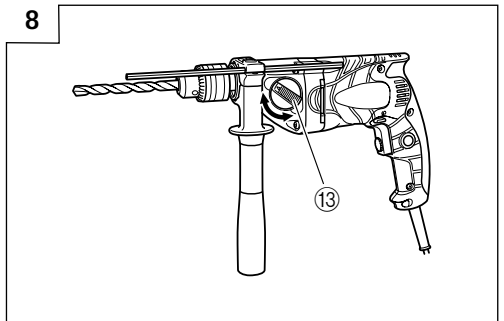
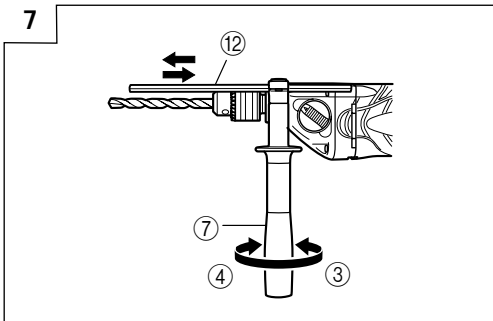
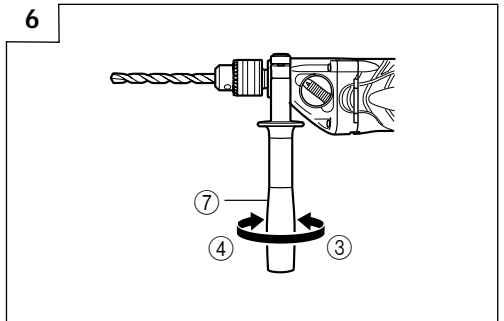
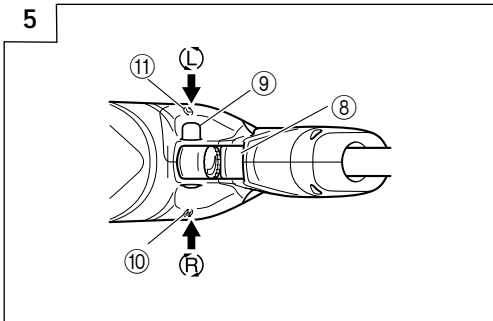
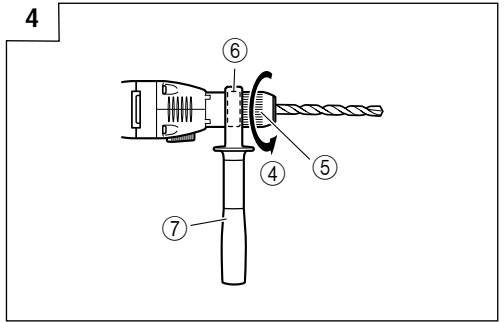
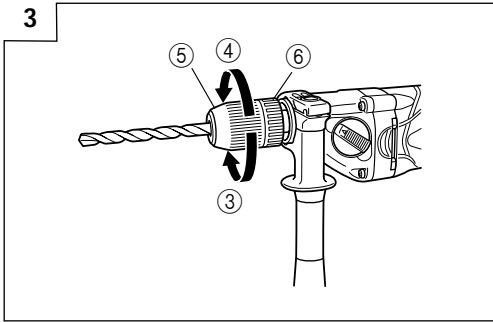
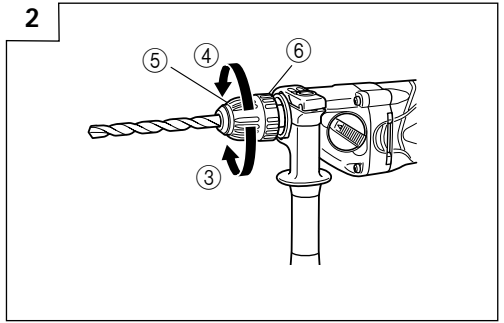
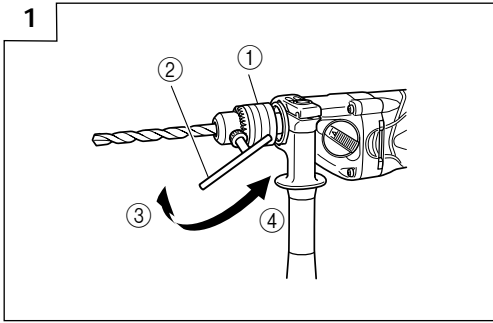


Read through carefully and understand these instructions before use.  
Diese Anleitung vor Benutzung des Werkzeugs sorgfältig durchlesen und verstehen.  
Διαβάστε προσεκτικά και κατανοήστε αυτές τις οδηγίες πριν τη χρήση.  
Przed użytkowaniem należy dokładnie przeczytać niniejszą instrukcję i zrozumieć jej treść.  
Használat előtt olvassa el figyelmesen a használati utasítást.  
Pred použitím si pečlivo prečítajte tento návod a uistite se, že mu dobre rozumíte.  
Aleti kullanmadan önce bu kılavuzu iyice okuyun ve talimatları anlayın.  
Внимательно прочтите данную инструкцию по эксплуатации прежде чем пользоваться инструментом.

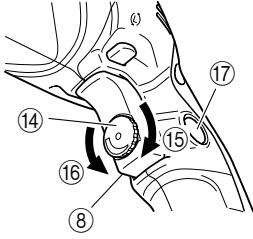


Handling instructions  
Bedienungsanleitung  
Οδηγίες χειρισμού  
Instrukcja obsługi  
Kezelési utasítás  
Návod k obsluze  
Kullanım talimatları  
Инструкция по эксплуатации

**Hitachi Koki**



9



	English	Deutsch	Ελληνικά	Polski
①	Drill chuck	Bohrfutter	Σφικτήρας δραπάνου	Uchwyt wiertarski
②	Chuck wrench	Futterschlüssel	Κλειδί σφικτήρα	Klucz do uchwytu wiertarskiego
③	Tighten	Anziehen	Σφίξετε	Dokręcanie
④	Loosen	Lösen	Χαλαρώστε	Luzowanie
⑤	Sleeve	Manschette	Συνδετικός δακτύλιος	Tuleja
⑥	Retaining ring	Haltering	Δακτύλιος συγκράτησης	Pierścień ustalający
⑦	Side handle	Seitengriff	Πλευρική λαβή	Uchwyt boczny
⑧	Switch trigger	Abzugschalter	Σκανδάλη διακόπτης	Spust włącznika
⑨	Push button	Druckknopf	Κουμπί ώθησης	Przycisk
⑩	(R) mark	Markierung (R)	(R) σημάδι	Symbol (R)
⑪	(L) mark	Markierung (L)	(L) σημάδι	Symbol (L)
⑫	Depth gauge	Tiefenlehre	Μετρητής βάθους	Ogranicznik głębokości
⑬	Gear shift dial	Gangschaltscheibe	Καντράν αλλαγής ταχύτητας	Pokrętko zmiany przełożenia
⑭	Speed control dial	Drehzahlskala	Καντράν ελέγχου ταχύτητας	Pokrętko kontroli prędkości
⑮	High speed	Hohe Drehzahl	Υψηλή ταχύτητα	Duża prędkość
⑯	Low speed	Niedrige Drehzahl	Χαμηλή ταχύτητα	Mała prędkość
⑰	Stopper	Stopper	Στόπερ	Zatyczka

	Magyar	Čeština	Türkçe	Русский
①	Fúrótokmány	Skličidlo	Matkap mandreni	Патрон дрели
②	Tokmánykulcs	Klíč skličidla	Mandren anahtarı	Ключ патрона
③	Megszorítani	Utažení	Sıkıştırma	Затянуть
④	Kiengedni	Povolení	Gevşetme	Ослабить
⑤	Karmantyú	Objímka	Manşon	Гильза
⑥	Visszatartó gyűrű	Zádržný kroužek	Tutucu halka	фиксирующее кольцо
⑦	Oldalfogantyú	Boční držadlo	Yan kol	Боковая рукоятка
⑧	Kapcsoló	Spoušť	Anahtar tetiği	Переключатель
⑨	Nyomógomb	Tlačítko	İtme düğmesi	Кнопка
⑩	(R) - jobbra forgásirány-jelölés	Znak pravého chodu (R)	(R) işareti	Знак (R) – влево
⑪	(L) - jobbra forgásirány-jelölés	Znak levého chodu (L)	(L) işareti	Знак (L) – влево
⑫	Mélyésgmérő	Měřítko hloubky	Derinlik ölçme aleti	Ограничитель глубины
⑬	Fordulatszám kapcsoló	Číselník převodovky	Vites değiştirme düğmesi	Диск переключения передачи
⑭	Fordulatszám szabályzó	Číselník volby rychlosti	Hız kontrol düğmesi	Диск регулировки скорости
⑮	Magas fordulatszám	Vysoká rychlost	Yüksek hız	Высокая скорость
⑯	Alacsony fordulatszám	Nizká rychlost	Düşük hız	Низкая скорость
⑰	Ütköző	Zarážka	Derinlik mesnedi	Стопор

## GENERAL SAFETY RULES

### WARNING!

#### Read all instructions

Failure to follow all instructions listed below may result in electric shock, fire and/or serious injury.

The term "power tool" in all of the warnings listed below refers to your mains operated (corded) power tool or battery operated (cordless) power tool.

### SAVE THESE INSTRUCTIONS

#### 1) Work area

- a) **Keep work area clean and well lit.**  
*Cluttered and dark areas invite accidents.*
- b) **Do not operate power tools in explosive atmospheres, such as in the presence of flammable liquids, gases or dust.**  
*Power tools create sparks which may ignite the dust or fumes.*
- c) **Keep children and bystanders away while operating a power tool.**  
*Distractions can cause you to lose control.*

#### 2) Electrical safety

- a) **Power tool plugs must match the outlet. Never modify the plug in any way. Do not use any adapter plugs with earthed (grounded) power tools.**  
*Unmodified plugs and matching outlets will reduce risk of electric shock.*
- b) **Avoid body contact with earthed or grounded surfaces such as pipes, radiators, ranges and refrigerators.**  
*There is an increased risk of electric shock if your body is earthed or grounded.*
- c) **Do not expose power tools to rain or wet conditions.**  
*Water entering a power tool will increase the risk of electric shock.*
- d) **Do not abuse the cord. Never use the cord for carrying, pulling or unplugging the power tool. Keep cord away from heat, oil, sharp edges or moving parts.**  
*Damaged or entangled cords increase the risk of electric shock.*
- e) **When operating a power tool outdoors, use an extension cord suitable for outdoor use.**  
*Use of a cord suitable for outdoor use reduces the risk of electric shock*

#### 3) Personal safety

- a) **Stay alert, watch what you are doing and use common sense when operating a power tool. Do not use a power tool while you are tired or under the influence of drugs, alcohol or medication.**  
*A moment of inattention while operating power tools may result in serious personal injury.*
- b) **Use safety equipment. Always wear eye protection. Safety equipment such as dust mask, non-skid safety shoes, hard hat, or hearing protection used for appropriate conditions will reduce personal injuries.**
- c) **Avoid accidental starting. Ensure the switch is in the off position before plugging in.**  
*Carrying power tools with your finger on the switch or plugging in power tools that have the switch on invites accidents.*

- d) **Remove any adjusting key or wrench before turning the power tool on.**  
*A wrench or a key left attached to a rotating part of the power tool may result in personal injury.*

- e) **Do not overreach. Keep proper footing and balance at all times.**  
*This enables better control of the power tool in unexpected situations.*

- f) **Dress properly. Do not wear loose clothing or jewellery. Keep your hair, clothing and gloves away from moving parts.**

*Loose clothes, jewellery or long hair can be caught in moving parts.*

- g) **If devices are provided for the connection of dust extraction and collection facilities, ensure these are connected and properly used.**  
*Use of these devices can reduce dust related hazards.*

#### 4) Power tool use and care

- a) **Do not force the power tool. Use the correct power tool for your application.**

*The correct power tool will do the job better and safer at the rate for which it was designed.*

- b) **Do not use the power tool if the switch does not turn it on and off.**

*Any power tool that cannot be controlled with the switch is dangerous and must be repaired.*

- c) **Disconnect the plug from the power source before making any adjustments, changing accessories, or storing power tools.**

*Such preventive safety measures reduce the risk of starting the power tool accidentally.*

- d) **Store idle power tools out of the reach of children and do not allow persons unfamiliar with the power tool or these instructions to operate the power tool.**

*Power tools are dangerous in the hands of untrained users.*

- e) **Maintain power tools. Check for misalignment or binding of moving parts, breakage of parts and any other condition that may affect the power tools operation.**

*If damaged, have the power tool repaired before use.*

- f) **Keep cutting tools sharp and clean.**

*Properly maintained cutting tools with sharp cutting edges are less likely to bind and are easier to control.*

- g) **Use the power tool, accessories and tool bits etc., in accordance with these instructions and in the manner intended for the particular type of power tool, taking into account the working conditions and the work to be performed.**

*Use of the power tool for operations different from intended could result in a hazardous situation.*

#### 5) Service

- a) **Have your power tool serviced by a qualified repair person using only identical replacement parts.**

*This will ensure that the safety of the power tool is maintained.*

### PRECAUTION

Keep children and infirm persons away. When not in use, tools should be stored out of reach of children and infirm persons.

## PRECAUTIONS ON USING DRILL

1. Before drilling into walls, ceilings or floors, ensure that there are no concealed power cables inside.

2. Use auxiliary handles supplied with the tool. Loss of control can cause personal injury.
3. Do not wear gloves made of stuff liable to roll up such as cotton, wool, cloth or string, etc.

## SPECIFICATIONS

Model		D10VJ		D13VH	
Voltage (by areas)*		(110V, 220V, 230V, 240V)∪			
Power input		690 W*			
Speed change		1	2	1	2
No load speed	Forward rotation	0 – 1000 min <sup>-1</sup>	0 – 3000 min <sup>-1</sup>	0 – 1000 min <sup>-1</sup>	0 – 3000 min <sup>-1</sup>
	Reverse rotation	0 – 600 min <sup>-1</sup>	0 – 1800 min <sup>-1</sup>	0 – 600 min <sup>-1</sup>	0 – 1800 min <sup>-1</sup>
Capacity	Steel	10 mm	6 mm	13 mm	8 mm
	Wood	25 mm	13 mm	40 mm	25 mm
Weight (without cord)		1.8 kg		1.9 kg	

\*Be sure to check the nameplate on product as it is subject to change by areas.

## STANDARD ACCESSORIES

- (1) Chuck Wrench (Spec. only for keyed chuck) ..... 1
  - (2) Side Handle ..... 1
  - (3) Depth Gauge ..... 1
- Standard accessories are subject to change without notice.

- (2) Place the chuck wrench in each of the three holes in the chuck, and turn it in the clockwise direction (viewed from the front side). Tighten securely.
- (3) To remove the bit, place the chuck wrench into one of the holes in the chuck and turn it in the counterclockwise direction.

### For keyless chuck (Fig. 2, 3)

- (1) Mounting the bit  
Turn the sleeve counterclockwise and open the chuck. After inserting the drill bit into the chuck as far it will go, grip the retaining ring and close the chuck by turning the sleeve clockwise as viewed from the front.
- (2) Dismounting the bit  
Grip the retaining ring and open the chuck by turning the sleeve counterclockwise.

### NOTE

When the sleeve does not become loose any further, fix the side handle to retaining ring, hold side handle firmly, then turn the sleeve to loosen by hand (Fig. 4).

6. **Check the rotational direction (Fig. 5)**  
The bit rotates clockwise (viewed from the rear side) by pushing the R-side of the push button. The L-side of the push button is pushed to turn the bit counterclockwise.  
(The (L) and (R) marks are provided on the body.)
7. **Fixing the side handle (Fig. 6)**  
Attach the side handle to the mounting part. Rotate the side handle grip in a clockwise direction to secure it.  
Set the side handle to a position that is suited to the operation and then securely tighten the side handle grip.  
To attach a depth gauge on the side handle, insert the gauge into the U-shaped groove on the side handle, adjust the position of the depth gauge in accordance with the desired depth of the hole, and firmly tighten the side handle grip (Fig. 7).
8. **High-speed/Low-speed changeover**  
Prior to changing speed, ensure that the switch is in the OFF position, and the drill has come to a complete stop.

## APPLICATIONS

- Boring holes in metal, wood and plastic.

## PRIOR TO OPERATION

### 1. Power source

Ensure that the power source to be utilized conforms to the power requirements specified on the product nameplate.

### 2. Power switch

Ensure that the power switch is in the OFF position. If the plug is connected to a receptacle while the power switch is in the ON position, the power tool will start operating immediately, inviting serious accident.

### 3. Extension cord

When the work area is removed from the power source, use an extension cord of sufficient thickness and rated capacity. The extension cord should be kept as short as practicable.

### 4. Selecting the appropriate drill bit

- When boring metal or plastic  
Use an ordinary metalworking drill bit.
- When boring wood  
Use an ordinary woodworking drill bit.  
However, when drilling 6.5 mm or smaller holes, use a metalworking drill bit.

### 5. Mounting and dismounting of the bit

#### For keyed chuck (Fig. 1)

- (1) Open the chuck jaws, and insert the bit into the chuck.

To change speed, rotate the gear shift dial as indicated by the arrow in **Fig. 8**. The numeral "1" engraved on the drill body denotes low speed, the numeral "2" denotes high speed.

If it is hard to turn the gear shift dial, turn the chuck slightly in either direction and then turn the gear shift dial again.

---

## HOW TO USE

---

### 1. Switch operation

- When the trigger is depressed, the tool rotates. When the trigger is released, the tool stops.
- The rotational speed of the drill can be controlled by varying the amount that the trigger switch is pulled. Speed is low when the trigger switch is pulled slightly and increases as the trigger switch is pulled more.
- The desired rotation speed can be pre-selected with the speed control dial.  
Turn the speed control dial clockwise for higher speed and counterclockwise for lower speed (**Fig. 9**).
- Pulling the trigger and pushing the stopper, it keeps the switched-on condition which is convenient for continuous running. When switching off, the stopper can be disconnected by pulling the trigger again.

### CAUTION

If the L-side of push button is pressed for reverse bit rotation, the stopper cannot be used.

### 2. Drilling

- When drilling, start the drill slowly, and gradually increasing speed as you drill.
- Always apply pressure in a straight line with the bit. Use enough pressure to keep drilling, but do not push hard enough to stall the motor or deflect the bit.
- To minimize stalling or breaking through the material, reduce pressure on drill and ease the bit through the last part of the hole.
- If the drill stalls, release the trigger immediately, remove the bit from the work and start again. Do not click the trigger on and off in an attempt to start a stalled drill. This can damage the drill.
- The larger the drill bit diameter, the larger the reactive force on your arm.  
Be careful not to lose control of the drill because of this reactive force.  
To maintain firm control, establish a good foothold, use side handle, hold the drill tightly with both hands, and ensure that the drill is vertical to the material being drilled.

---

## MAINTENANCE AND INSPECTION

---

### 1. Inspecting the drill bits

Since use of an abraded drill bits will cause motor malfunctioning and degraded efficiency, replace the drill bits with a new one or resharpening without delay when abrasion is noted.

### 2. Inspecting the mounting screws

Regularly inspect all mounting screws and ensure that they are properly tightened. Should any of the screws be loose, retighten them immediately. Failure to do so could result in serious hazard.

### 3. Maintenance of the motor

The motor unit winding is the very "heart" of the power tool. Exercise due care to ensure the winding does not become damaged and/or wet with oil or water.

### 4. Inspecting the carbon brushes

For your continued safety and electrical shock protection, carbon brush inspection and replacement on this tool should ONLY be performed by a Hitachi Authorized Service Center.

### 5. Replacing supply cord

If the supply cord of Tool is damaged, the Tool must be returned to Hitachi Authorized Service Center for the cord to be replaced.

### 6. Service parts list

- A: Item No.
- B: Code No.
- C: No. Used
- D: Remarks

### CAUTION

Repair, modification and inspection of Hitachi Power Tools must be carried out by a Hitachi Authorized Service Center.

This Parts List will be helpful if presented with the tool to the Hitachi Authorized Service Center when requesting repair or other maintenance.

In the operation and maintenance of power tools, the safety regulations and standards prescribed in each country must be observed.

### MODIFICATION

Hitachi Power Tools are constantly being improved and modified to incorporate the latest technological advancements.

Accordingly, some parts (i.e. code numbers and/or design) may be changed without prior notice.

---

### NOTE

Due to HITACHI's continuing program of research and development, the specifications herein are subject to change without prior notice.

---



---

### Information concerning airborne noise and vibration

The measured values were determined according to EN60745 and declared in accordance with ISO 4871.

The typical A-weighted sound pressure level: 80 dB (A).  
Uncertainty KpA: 3 dB (A).

Wear ear protection.

The typical weighted root mean square acceleration value: 2.5 m/s<sup>2</sup>.

---

## ALLGEMEINE SICHERHEITSMASSNAHMEN

### WARNUNG!

#### Lesen Sie sämtliche Hinweise durch

*Wenn nicht sämtliche nachstehenden Anweisungen befolgt werden, kann es zu Stromschlag, Brand und/oder ernsthaften Verletzungen kommen.*

*Der Begriff „Elektrowerkzeug“ bezieht sich in den folgenden Warnhinweisen auf Elektrowerkzeuge mit Netz- (schnurgebunden) oder Akkubetrieb (schnurlos).*

### BEWAHREN SIE DIESE ANWEISUNGEN AUF

#### 1) Arbeitsbereich

- a) Sorgen Sie für einen sauberen und gut ausgeleuchteten Arbeitsbereich.

*Zugestellte und dunkle Bereiche ziehen Unfälle förmlich an.*

- b) Verwenden Sie Elektrowerkzeuge niemals an Orten, an denen Explosionsgefahr besteht – zum Beispiel in der Nähe von leicht entflammaren Flüssigkeiten, Gasen oder Stäuben.

*Bei der Arbeit mit Elektrowerkzeugen kann es zu Funkenbildung kommen, wodurch sich Stäube oder Dämpfe entzünden können.*

- c) Sorgen Sie bei der Arbeit mit Elektrowerkzeugen dafür, dass sich keine Zuschauer (insbesondere Kinder) in der Nähe befinden.

*Wenn Sie abgelenkt werden, können Sie die Kontrolle über das Werkzeug verlieren.*

#### 2) Elektrische Sicherheit

- a) Elektrowerkzeuge müssen mit passender Stromversorgung betrieben werden.

*Nehmen Sie niemals irgendwelche Änderungen am Anschlussstecker vor.*

*Verwenden Sie bei Elektrowerkzeugen mit Schutzkontakt (geerdet) niemals Adapterstecker. Stecker im Originalzustand und passende Steckdosen reduzieren das Stromschlagrisiko.*

- b) Vermeiden Sie Körperkontakt mit geerdeten Gegenständen wie Rohrleitungen, Heizungen, Herden oder Kühlschränken.

*Bei Körperkontakt mit geerdeten Gegenständen besteht ein erhöhtes Stromschlagrisiko.*

- c) Setzen Sie Elektrowerkzeuge niemals Regen oder sonstiger Feuchtigkeit aus.

*Wenn Flüssigkeiten in ein Elektrowerkzeug eindringen, erhöht sich das Stromschlagrisiko.*

- d) Verwenden Sie die Anschlusschnur nicht missbräuchlich. Tragen Sie das Elektrowerkzeug niemals an der Anschlusschnur, ziehen Sie es nicht damit heran und ziehen Sie den Stecker nicht an der Anschlusschnur aus der Steckdose. Halten Sie die Anschlusschnur von Hitzequellen, Öl, scharfen Kanten und beweglichen Teilen fern. Beschädigte oder verdrehte Anschlusschnüre erhöhen das Stromschlagrisiko.

- e) Wenn Sie ein Elektrowerkzeug im Freien benutzen, verwenden Sie ein für den Außeneinsatz geeignetes Verlängerungskabel. Ein für den Außeneinsatz geeignetes Kabel vermindert das Stromschlagrisiko.

#### 3) Persönliche Sicherheit

- a) Bleiben Sie wachsam, achten Sie auf das, was Sie tun, und setzen Sie Ihren Verstand ein, wenn Sie mit Elektrowerkzeugen arbeiten.

**Benutzen Sie keine Elektrowerkzeuge, wenn Sie müde sind oder unter Einfluss von Drogen, Alkohol oder Medikamenten stehen.**

*Bei der Arbeit mit Elektrowerkzeugen können bereits kurze Phasen der Unaufmerksamkeit zu schweren Verletzungen führen.*

- b) **Benutzen Sie Schutzausrüstung. Tragen Sie immer einen Augenschutz.**

*Schutzausrüstung wie Staubmaske, rutschsichere Sicherheitsschuhe, Schutzhelm und Gehörschutz senken das Verletzungsrisiko bei angemessenem Einsatz.*

- c) **Vermeiden Sie unbeabsichtigten Anlauf. Achten Sie darauf, dass sich der Schalter in der Aus-(Off-) Position befindet, ehe Sie den Stecker einstecken.**

*Das Herumtragen von Elektrowerkzeugen mit dem Finger am Schalter und das Einstecken des Steckers bei betätigtem Schalter zieht Unfälle regelrecht an.*

- d) **Entfernen Sie sämtliche Einstellwerkzeuge (Einstellschlüssel), ehe Sie das Elektrowerkzeug einschalten.**

*Ein an einem beweglichen Teil des Elektrowerkzeugs angebrachter Schlüssel kann zu Verletzungen führen.*

- e) **Sorgen Sie für einen festen Stand. Achten Sie jederzeit darauf, sicher zu stehen und das Gleichgewicht zu bewahren.**

*Dadurch haben Sie das Elektrowerkzeug in unerwarteten Situationen besser im Griff.*

- f) **Kleiden Sie sich richtig. Tragen Sie keine lose Kleidung oder Schmuck. Halten Sie Haar, Kleidung und Handschuhe von beweglichen Teilen fern.**

*Lose Kleidung, Schmuck oder langes Haar kann von beweglichen Teilen erfasst werden.*

- g) **Wenn Anschlüsse für Staubabsaug- und -sammelvorrichtungen vorhanden sind, sorgen Sie dafür, dass diese richtig angeschlossen und eingesetzt werden.**

*Die Verwendung solcher Vorrichtungen kann Staub-bezogene Gefahren mindern.*

#### 4) Einsatz und Pflege von Elektrowerkzeugen

- a) **Überansprechen Sie Elektrowerkzeuge nicht. Benutzen Sie das richtige Elektrowerkzeug für Ihren Einsatzzweck.**

*Das richtige Elektrowerkzeug erledigt seine Arbeit bei bestimmungsgemäßem Einsatz besser und sicherer.*

- b) **Benutzen Sie das Elektrowerkzeug nicht, wenn es sich nicht am Schalter ein- und ausschalten lässt.**

*Jedes Elektrowerkzeug, das nicht mit dem Schalter betätigt werden kann, stellt eine Gefahr dar und muss repariert werden.*

- c) **Ziehen Sie den Netzstecker, ehe Sie Einstellarbeiten vornehmen, Zubehörteile tauschen oder das Elektrowerkzeug verstanen. Solche präventiven Sicherheitsmaßnahmen verhindern den unbeabsichtigten Anlauf des Elektrowerkzeugs und die damit verbundenen Gefahren.**



- d) Lagern Sie nicht benutzte Elektrowerkzeuge außerhalb der Reichweite von Kindern, lassen Sie nicht zu, dass Personen das Elektrowerkzeug bedienen, die nicht mit dem Werkzeug selbst und/oder diesen Anweisungen vertraut sind. *Elektrowerkzeuge in ungeschulten Händen sind gefährlich.*
  - e) Halten Sie Elektrowerkzeuge in Stand. Prüfen Sie auf Fehlausrichtungen, sicheren Halt und Leichtgängigkeit beweglicher Teile, Beschädigungen von Teilen und auf jegliche andere Zustände, die sich auf den Betrieb des Elektrowerkzeugs auswirken können. Bei Beschädigungen lassen Sie das Elektrowerkzeug reparieren, ehe Sie es benutzen. *Viele Unfälle mit Elektrowerkzeugen sind auf schlechte Wartung zurückzuführen.*
  - f) Halten Sie Schneidwerkzeuge scharf und sauber. *Richtig gewartete Schneidwerkzeuge mit scharfen Schneidkanten bleiben weniger häufig hängen und sind einfacher zu beherrschen.*
  - g) Benutzen Sie Elektrowerkzeuge, Zubehör, Werkzeugspitzen und Ähnliches in Übereinstimmung mit diesen Anweisungen und auf die für das jeweilige Elektrowerkzeug bestimmungsgemäße Weise - beachten Sie dabei die jeweiligen Arbeitsbedingungen und die Art und Weise der auszuführenden Arbeiten. *Der bestimmungswidrige Einsatz von Elektrowerkzeugen kann zu gefährlichen Situationen führen.*
- 5) Service
- a) Lassen Sie Elektrowerkzeuge durch qualifizierte Fachkräfte und unter Einsatz passender, zugelassener Originalteile warten. *Dies sorgt dafür, dass die Sicherheit des Elektrowerkzeugs nicht beeinträchtigt wird.*

**VORSICHT**  
 Von Kindern und gebrechlichen Personen fernhalten. Werkzeuge sollten bei Nichtgebrauch außerhalb der Reichweite von Kindern und gebrechlichen Personen aufbewahrt werden.

**VORSICHTSMASSNAHMEN FÜR DIE BENUTZUNG DER BOHRMASCHINE**

1. Bevor man in Wände, in Decken oder Boden bohrt, muß man sich davon überzeugen, daß keine elektrischen Kabel oder Kabelrohre darunter liegen.
2. Benutzen Sie die mit dem Werkzeug gelieferten Zusatzgriffe. Wenn Sie die Kontrolle über das Werkzeug verlieren, kann es zu Verletzungen kommen.
3. Tragen Sie keine Handschuhe aus Stoff, der zum Aufrollen neigt, wie z.B. Baumwolle, Wolle, Leinen usw.

**TECHNISCHE DATEN**

Modell	D10VJ		D13VH		
Spannung (je nach Gebiet)*	(110V, 220V, 230V, 240V) ~				
Leistungsaufnahme	690 W*				
Geschwindigkeitsstufen	1	2	1	2	
Leerlaufdrehzahl	Vorwärtsdrehung	0 – 1000 min <sup>-1</sup>	0 – 3000 min <sup>-1</sup>	0 – 1000 min <sup>-1</sup>	0 – 3000 min <sup>-1</sup>
	Rückwärtsdrehung	0 – 600 min <sup>-1</sup>	0 – 1800 min <sup>-1</sup>	0 – 600 min <sup>-1</sup>	0 – 1800 min <sup>-1</sup>
Kapazität	Stahl	10 mm	6 mm	13 mm	8 mm
	Holz	25 mm	13 mm	40 mm	25 mm
Gewicht (ohne Kabel)	1,8 kg		1,9 kg		

\* Vergessen Sie nicht, die Produktangaben auf dem Typenschild zu überprüfen, da sich diese je nach Verkaufsgebiet ändern.

**STANDARDZUBEHÖR**

- (1) Bohrfutterschlüssel (Spez. nur für Zahnkranz-Bohrfutter) ..... 1
  - (2) Handgriff ..... 1
  - (3) Tiefenlehre ..... 1
- Das Standardzubehör kann ohne vorherige Bekanntmachung jederzeit geändert werden.

**ANWENDUNGEN**

- Bohren von Löchern in Metall, Holz und plastisches Material.

**VOR INBETRIEBNAHME**

1. **Netzspannung**  
 Prüfen, daß die zu verwendende Netzspannung der Angabe auf dem Typenschild entspricht.
2. **Netzschalter**  
 Prüfen, daß der Netzschalter auf "AUS" steht. Wenn der Stecker an das Netz angeschlossen ist, Während der Schalter auf "EIN" steht, beginnt das Werkzeug sofort zu laufen und bedeutet ernsthaftes Gefahr.
3. **Verlängerungskabel**  
 Wenn der Arbeitsbereich nicht in der Nähe des Netzanschlusses liegt, ist ein Verlängerungskabel ausreichenden Querschnitts und ausreichender Nennleistung zu verwenden. Das Verlängerungskabel sollte so kurz wie möglich gehalten werden.

## 4. Wahl des geeigneten Bohrers

- Beim Bohren von Metall oder Kunststoff  
Einen normalen Metallbohrer verwenden.
- Beim Bohren von Holz  
Einen normalen Holzspiralbohrer verwenden. Für Löcher von 6,5 mm oder kleiner wird ein Metallbohrer verwendet.

## 5. Anbringen und Abnehmen der Werkzeugspitze

### Für Zahnkranz-Bohrfutter (Abb. 1)

- (1) Öffnen Sie die Spannbacken des Futters und schieben Sie den Bohrer in das Futter.
- (2) Schieben Sie den Futterschlüssel in jedes der drei Löcher des Spannfeeders ein und drehen Sie den Schlüssel im Uhrzeigersinn (von der Vorderseite her gesehen). Ziehen Sie fest an.
- (3) Schieben Sie zum Entfernen des Bohrers den Futterschlüssel in eins der Löcher des Spannfeeders und drehen Sie ihn gegen den Uhrzeigersinn.

### Für ein schlüsselfreies Spannfutter (Abb. 2, 3)

- (1) Anbringen des Bohrers  
Die Futterbuchse gegen den Uhrzeigersinn drehen und das Futter öffnen. Den Bohrer bis zum Anschlag in das Futter schieben, den Haltering fassen und das Futter durch Drehen der Futterbuchse von vorne gesehen im Uhrzeigersinn schließen.
- (2) Entfernen des Bohrers  
Den Haltering fassen und das Futter durch Drehen der Futterbuchse gegen den Uhrzeigersinn öffnen.

## HINWEIS

Wenn sich die Futterbuchse nicht weiter lockern läßt, so fixieren Sie den Seitengriff am Haltering, halten Sie den Seitengriff fest, und drehen Sie dann die Futterbuchse, um sie von Hand zu lösen (Abb. 4).

## 6. Überprüfen der Drehrichtung (Abb. 5)

Der Bohrer dreht sich im Uhrzeigersinn (gesehen von hinten), Wenn die R-Seite des Druckknopfes gedrückt wird. Wenn die L-Seite des Bohrers gedrückt wird, dreht sich der Bohrer gegen den Uhrzeigersinn. (Die Markierungen (L) und (R) befinden sich auf dem Körper der Bohrmaschine.)

## 7. Anbringen des Handgriffes (Abb. 6)

Den Handgriff an der Halterung anbringen. Den Griff des Handriffs zum Befestigen im Uhrzeigersinn drehen.

Den Handgriff in eine Position stellen, die der Bedienung angemessen ist, und dann den Handgriff sicher befestigen. Zum Anbringen des Tiefenanschlages am Handgriff die Anschlagstange in die U-förmige Rille des Handgriffs einsetzen, den Tiefenanschlag auf die gewünschte Lochtiefe einstellen und den Seitenhandgriff fest anziehen (Abb. 7).

## 8. Umschalten von hoher Drehzahl auf niedrige Drehzahl:

Vor der Veränderung der Drehzahl muß man sich überzeugen, daß der Schalter auf "AUS" steht und sich der Bohrer nicht mehr bewegt.

Die Gangschaltschiebe drehen. Zum Umschalten wird der Umschaltfesteller eingedrückt und die gewünschte Richtung geschoben, wie in Abb. 8 durch den Pfeil angegeben ist. Die auf dem Gehäuse eingeprägte Ziffer "1" bedeutet niedrige Drehzahl, die Ziffer "2" bedeutet hohe Drehzahl.

Wenn sich die Gangschaltscheibe nur schwer drehen läßt, drehen Sie das Bohrfutter ein wenig hin und her und betätigen die Gangschaltscheibe danach erneut.

---

## VERWENDUNG

---

### 1. Schalterbetätigung

- Wenn der Abzugschalter durchgedrückt wird, dreht sich das Werkzeug. Wenn der Abzugschalter losgelassen wird, hält das Werkzeug an.
- Die Drehzahl des Bohrers kann durch entsprechendes Durchziehen des Abzugschalters geregelt werden. Wenn der Abzugschalter nur leicht durchgedrückt wird, ist die Drehzahl niedrig, und sie nimmt zu, wenn der Abzugschalter stärker durchgedrückt wird.
- Die gewünschte Drehzahl kann mit der Drehzahlkala voreingestellt werden.  
Drehen Sie die Drehzahlkala im Uhrzeigersinn für eine höhere Drehzahl und gegen den Uhrzeigersinn für eine niedrigere Drehzahl (Abb. 9).
- Wenn der Abzugschalter durchgedrückt und der Stopper gedrückt wird, bleibt die Maschine eingeschaltet, was angenehm für kontinuierliche Verwendung ist. Zum Ausschalten kann der Stopper durch erneutes Durchdrücken des Abzugschalters freigegeben werden.

### VORSICHT

Wenn die L-Seite des Druckknopfes für Rückwärts-Bitdrehung gedrückt ist, kann der Stopper nicht verwendet werden.

### 2. Bohren

- Starten Sie zum Bohren die Bohrmaschine langsam und erhöhen Sie die Drehzahl beim Bohren.
- Drücken Sie immer in einer geraden Linie mit dem Bohrer. Drücken Sie mit ausreichender Kraft, um weiter zu Bohren, aber nicht so stark, daß der Motor anhält oder der Bohrer abgelenkt wird.
- Verringern Sie am Ende des Loches den Druck auf den Bohrer und leiten Sie den Bohrer vorsichtig durch den letzten Teil des Loches, um Stehenbleiben oder Durchbrechen durch das Material zu vermeiden.
- Wenn der Bohrer stehenbleibt, so lassen Sie sofort den Abzugschalter los, ziehen Sie den Bohrer aus dem Loch, und beginnen Sie erneut. Ziehen Sie nicht den Abzugschalter wiederholt durch, um einen stehengebliebenen Bohrer zu starten. Dies kann den Bohrer beschädigen.
- Je größer der Durchmesser des Bohrers ist, um so stärker ist die Reaktionskraft auf Ihren Arm. Achten Sie darauf, durch die Reaktionskraft nicht die Kontrolle über die Bohrmaschine zu verlieren. Stellen Sie sich für sichere Kontrolle des Bohrers sicher hin, verwenden Sie den Seitengriff, halten Sie die Bohrmaschine mit beiden Händen fest, und stellen Sie sicher, daß der Bohrer senkrecht zum zu bohrenden Material steht.

---

## WARTUNG UND INSPEKTION

---

### 1. Inspektion der Bohrer

Da ein abgenutzter Bohrer Fehlfunktion des Motors und verringerte Wirksamkeit verursacht, sollten Sie die Bohrer sofort schärfen durch neue ersetzen, wenn Verschleiß festgestellt wird.

## 2. Inspektion der Befestigungsschraube

Alle Befestigungsschrauben werden regelmäßig inspiziert und geprüft, daß sie richtig angezogen sind. Wenn sich eine der Schrauben lockert, muß sie sofort wieder angezogen werden. Geschieht das nicht, kann das zu erheblicher Gefahr führen.

## 3. Wartung des Motors

Die Motorwicklung ist das "Herz" des Elektrowerkzeugs. Daher ist besonders sorgfältig darauf zu achten, daß die Wicklung nicht beschädigt und/oder mit Öl oder Wasser benetzt wird.

## 4. Inspektion der Kohlebürsten

Zur Erhaltung Ihrer Sicherheit und des Schutzes gegen elektrischen Schlag sollten Inspektion und Auswechseln der Kohlebürsten NUR durch ein Autorisiertes Hitachi-Wartungszentrum durchgeführt werden.

## 5. Auswechseln des Netzkabels

Wenn das Netzkabel des Werkzeugs beschädigt wird, muss das Werkzeug zum Auswechseln des Netzkabels an ein von Autorisiertes Hitachi-Wartungszentrum zurückgegeben werden.

## 6. Liste der Wartungsteile

A : Punkt Nr.

B : Code Nr.

C : Verwendete Anzahl

D : Bemerkungen

## ACHTUNG

Reparatur, Modifikation und Inspektion von Hitachi-Elektrowerkzeugen müssen durch ein Autorisiertes Hitachi-Wartungszentrum durchgeführt werden.

Diese Teileliste ist hilfreich, wenn sie dem Autorisierten Hitachi-Wartungszentrum zusammen mit dem Werkzeug für Reparatur oder Wartung ausgehändigt wird.

Bei Betrieb und Wartung von Elektrowerkzeugen müssen die Sicherheitsvorschriften und Normen beachtet werden.

## MODIFIKATIONEN

Hitachi-Elektrowerkzeuge werden fortwährend verbessert und modifiziert, um die neuesten technischen Fortschritte einzubauen.

Dementsprechend ist es möglich, daß einige Teile (z.B. Codenummern bzw. Entwurf) ohne vorherige Benachrichtigung geändert werden.

---

## HINWEIS

Aufgrund des ständigen Forschungs - und Entwicklung programms von HITACHI sind Änderungen der hierin gemachten technischen Angaben vorbehalten.

---

---

## Information über Betriebslärm und Vibration

Die gemessenen Werte wurden entsprechend EN60745 bestimmt und in Übereinstimmung mit ISO 4871 ausgewiesen.

Der typische A-gewichtete Schalldruck ist 80 dB (A).  
Messunsicherheit KpA: 3 dB (A)

Bei der Arbeit immer einen Ohrenschutz tragen.

Der typische gewogene quadratische Mittelwert für die Beschleunigung ist 2,5 m/s<sup>2</sup>.

---

## ΓΕΝΙΚΑ ΜΕΤΡΑ ΑΣΦΑΛΕΙΑΣ

### ΠΡΟΣΟΧΗ!

#### Διαβάστε όλες τις οδηγίες

Αν δεν τηρηθούν όλες οι οδηγίες που αναφέρονται παρακάτω, ενδέχεται να προκληθεί ηλεκτροπληξία, πυρκαγιά ή/και σοβαρός τραυματισμός.

Ο όρος “ηλεκτρικό εργαλείο” σε όλες τις προειδοποιήσεις που αναφέρονται παρακάτω αναφέρεται στο ηλεκτρικό εργαλείο που λειτουργεί με το ρεύμα του ηλεκτρικού δικτύου (με καλώδιο) ή στο ηλεκτρικό εργαλείο που λειτουργεί με μπαταρία (χωρίς καλώδιο).

### ΦΥΛΑΞΤΕ ΑΥΤΕΣ ΤΙΣ ΟΔΗΓΙΕΣ

#### 1) Χώρος εργασίας

- Διατηρείτε το χώρο εργασίας καθαρό και καλά φωτισμένο.**  
Οι ακατάστατοι και οι σκοτεινοί χώροι έχουν την τάση να προκαλούν ατυχήματα.
- Μη χρησιμοποιείτε τα ηλεκτρικά εργαλεία σε εκρηκτικές ατμόσφαιρες, όπως όταν είναι παρόντα εύφλεκτα υγρά, αέρια ή σκόνη.**  
Τα ηλεκτρικά εργαλεία δημιουργούν σπινθήρες οι οποίοι ενδέχεται να προκαλέσουν την ανάφλεξη αυτών των υλικών.
- Κρατήστε τα παιδιά και τους παρευρισκόμενους μακριά όταν χρησιμοποιείτε ένα ηλεκτρικό εργαλείο.**  
Αν αποσπαστεί η προσοχή σας, υπάρχει κίνδυνος να χάσετε τον έλεγχο.

#### 2) Ηλεκτρική ασφάλεια

- Τα φως των ηλεκτρικών εργαλείων πρέπει να είναι κατάλληλα για τις πρίζες.**  
Μην τροποποιήσετε ποτέ το φως με οποιονδήποτε τρόπο.  
Μη χρησιμοποιείτε φως προσαρμογής με γειωμένα ηλεκτρικά εργαλεία.  
Τα μη τροποποιημένα φως και οι κατάλληλες πρίζες μειώνουν τον κίνδυνο ηλεκτροπληξίας.
- Αποφύγετε τη σωματική επαφή με γειωμένες επιφάνειες όπως σωλήνες, θερμάστρες, μαγειρικές συσκευές και ψυγεία.**  
Υπάρχει αυξημένος κίνδυνος ηλεκτροπληξίας όταν το σώμα σας είναι γειωμένο.
- Μην εκθέτετε τα ηλεκτρικά εργαλεία στη βροχή ή σε υψηλές υγρασίες.**  
Το νερό που εισέρχεται σε ένα ηλεκτρικό εργαλείο αυξάνει τον κίνδυνο ηλεκτροπληξίας.
- Μην ασκείτε δύναμη στο καλώδιο. Μη χρησιμοποιείτε ποτέ το καλώδιο για να μεταφέρετε, να τραβήξετε ή να βγάλετε από την πρίζα το ηλεκτρικό εργαλείο.**  
Κρατήστε το καλώδιο μακριά από θερμότητα, λάδι, κοφτερές γωνίες και κινούμενα μέρη.  
Τα κατεστραμμένα ή μπερδεμένα καλώδια αυξάνουν τον κίνδυνο ηλεκτροπληξίας.
- Όταν χρησιμοποιείτε το εργαλείο σε εξωτερικό χώρο, χρησιμοποιήστε καλώδιο προέκτασης που προορίζεται για χρήση σε εξωτερικό χώρο.**  
Η χρήση ενός καλωδίου κατάλληλου για εξωτερικό χώρο μειώνει τον κίνδυνο ηλεκτροπληξίας.

#### 3) Προσωπική ασφάλεια

- Να είστε σε ετοιμότητα, να βλέπετε αυτό που κάνετε και να χρησιμοποιείτε την κοινή λογική όταν χρησιμοποιείτε ένα ηλεκτρικό εργαλείο.**  
Μη χρησιμοποιείτε ηλεκτρικά εργαλεία όταν είστε κουρασμένοι ή υπό την επίδραση ναρκωτικών ουσιών, οινοπνεύματος ή φαρμάκων.  
Μια στιγμή απροσεξίας κατά τη χρήση ενός ηλεκτρικού εργαλείου μπορεί να προκαλέσει σοβαρό προσωπικό τραυματισμό.
  - Χρησιμοποιείτε εξοπλισμό ασφαλείας, Να φοράτε πάντοτε προστατευτικά γυαλιά για τα μάτια.**  
Εξοπλισμός ασφαλείας όπως μάσκα για τη σκόνη, αντιολισθητικά υποδήματα, σκληρό κάλυμμα κεφαλής ή προστατευτικά ακοής που χρησιμοποιούνται στις αντίστοιχες συνθήκες μειώνουν τις πιθανότητες τραυματισμού.
  - Να αποφεύγετε την κατά λάθος έναρξη λειτουργίας. Να δεβαλώσετε ότι ο διακόπτης είναι στην κλειστή θέση (off) πριν τοποθετήσετε το φως στην πρίζα.**  
Η μεταφορά ηλεκτρικών εργαλείων με το δάχτυλο στο διακόπτη λειτουργίας ή η σύνδεση ηλεκτρικών εργαλείων στο ρεύμα με το διακόπτη ανοιχτό αυξάνει τις πιθανότητες ατυχήματος.
  - Να αφαιρείτε τυχόν κλειδιά ρυθμιζόμενου ανοίγματος ή τα απλά κλειδιά πριν θέσετε σε λειτουργία το ηλεκτρικό εργαλείο.**  
Ένα απλό κλειδί ή ένα κλειδί ρυθμιζόμενου ανοίγματος που είναι προσαρτημένο σε περιστρεφόμενο εξάρτημα του ηλεκτρικού εργαλείου μπορεί να προκαλέσει προσωπικό τραυματισμό.
  - Μην τεντώνετε. Να διατηρείτε πάντοτε το κατάλληλο πάτημα και την ισορροπία σας.**  
Με αυτόν τον τρόπο μπορείτε να ελέγχετε καλύτερα το ηλεκτρικό εργαλείο σε μη αναμενόμενες καταστάσεις.
  - Να είστε ντυμένοι κατάλληλα. Μη φοράτε φαρδιά ρούχα ή κοσμήματα. Να κρατάτε τα μαλλιά σας, τα ρούχα σας και τα γάντια σας μακριά από κινούμενα μέρη.**  
Τα φαρδιά ρούχα, τα κοσμήματα και τα μακριά μαλλιά μπορεί να πιαστούν σε κινούμενα μέρη.
  - Αν παρέχονται εξαρτήματα για τη σύνδεση συσκευών εξαγωγής και συλλογής σκόνης, να δεβαλώσετε ότι είναι συνδεδεμένα και χρησιμοποιούνται με το σωστό τρόπο.**  
Η χρήση αυτών των συσκευών μπορεί να μειώσει τους κινδύνους που σχετίζονται με τη σκόνη.
- #### 4) Χρήση και φροντίδα ηλεκτρικών εργαλείων
- Μην ασκείτε δύναμη στο ηλεκτρικό εργαλείο. Να χρησιμοποιείτε το ηλεκτρικό εργαλείο που είναι κατάλληλο για το είδος της εργασίας που εκτελείτε.**  
Το κατάλληλο ηλεκτρικό εργαλείο θα εκτελέσει την εργασία καλύτερα και με μεγαλύτερη ασφάλεια με τον τρόπο που σχεδιάστηκε.
  - Μη χρησιμοποιήσετε το ηλεκτρικό εργαλείο αν ο διακόπτης λειτουργίας δεν ανοίγει και δεν κλείνει.**  
Ένα ηλεκτρικό εργαλείο που δεν ελέγχεται από το διακόπτη λειτουργίας είναι επικίνδυνο και πρέπει να επισκευαστεί.
  - Βγάλετε το φως από την πρίζα πριν κάνετε οποιαδήποτε ρυθμίσεις, αλλάξτε εξαρτήματα ή αποθηκεύσετε το ηλεκτρικό εργαλείο.**

Αυτά τα προληπτικά μέτρα ασφαλείας μειώνουν τον κίνδυνο να ξεκινήσει το ηλεκτρικό εργαλείο κατά λάθος.

- d) **Αποθηκεύετε τα εργαλεία που δεν χρησιμοποιείτε μακριά από παιδιά και μην αφήνετε τα άτομα που δεν είναι εξοικειωμένα με το ηλεκτρικό εργαλείο ή με αυτές τις οδηγίες να χρησιμοποιούν το ηλεκτρικό εργαλείο.**

Τα ηλεκτρικά εργαλεία είναι επικίνδυνα στα χέρια μη εκπαιδευμένων ατόμων.

- e) **Συντηρείτε τα ηλεκτρικά εργαλεία. Να ελέγχετε την ευθυγράμμιση τους ή το μπλοκάρισμα των κινούμενων μερών, τη θραύση των εξαρτημάτων και οποιαδήποτε άλλη κατάσταση που ενδέχεται να επηρεάσει τη λειτουργία του ηλεκτρικού εργαλείου.**

**Σε περίπτωση θλάθης, το ηλεκτρικό εργαλείο πρέπει να επισκευαστεί πριν χρησιμοποιηθεί.**

Πολλά ατυχήματα προκαλούνται από ηλεκτρικά εργαλεία που δεν έχουν συντηρηθεί σωστά.

- f) **Διατηρείτε τα εργαλεία κοπής κοφτερά και καθαρά.** Τα κατάλληλα συντηρημένα εργαλεία κοπής με κοφτερές γωνίες μπλοκάρουν πιο δύσκολα και ελέγχονται πιο εύκολα.

- g) **Χρησιμοποιείτε το ηλεκτρικό εργαλείο, τα εξαρτήματα, τις μύτες των εργαλείων κλπ., σύμφωνα με αυτές τις οδηγίες και με τρόπο που είναι κατάλληλος για τον συγκεκριμένο τύπο ηλεκτρικού εργαλείου, λαμβάνοντας υπόψη τις συνθήκες εργασίας και την εργασία που πρόκειται να εκτελεστεί.**

Η χρήση του ηλεκτρικού εργαλείου σε λειτουργίες διαφορετικές από εκείνες για τις οποίες προορίζεται μπορεί να δημιουργήσει επικίνδυνες καταστάσεις.

## 5) Σέρβις

- a) **Να δίνετε το ηλεκτρικό εργαλείο για σέρβις σε κατάλληλα εκπαιδευμένα άτομα και να χρησιμοποιείτε μόνο γνήσια ανταλλακτικά.**

Με αυτόν τον τρόπο είστε σίγουροι για την ασφάλεια του ηλεκτρικού εργαλείου.

## ΠΡΟΦΥΛΑΞΗ

**Μακριά από τα παιδιά και τους αναπήρους.**

**Όταν δεν χρησιμοποιούνται, τα εργαλεία πρέπει να φυλάζονται μακριά από τα παιδιά και τους αναπήρους.**

## ΠΡΟΦΥΛΑΚΤΙΚΑ ΜΕΤΡΑ ΓΙΑ ΤΗΝ ΧΡΗΣΗ ΤΟΥ ΔΡΑΠΑΝΟΥ

1. Πριν το άνοιγμα τρύπας πάνω σε τοίχους, οροφές ή δάπεδα, βεβαιωθείτε ότι δεν υπάρχουν κρυμμένα μέσα ηλεκτρικά καλώδια.
2. Χρησιμοποιήστε τα βοηθητικά χερούλια που συνοδεύουν το εργαλείο.  
Η απώλεια ελέγχου μπορεί να προκαλέσει προσωπικό τραυματισμό.
3. Μην φοράτε γάντια φτιαγμένα από υλικό που έχει την τάση να τυλίγεται όπως το βαμβάκι, το μαλλί, το ύφασμα ή ίνα κλπ.

## ΤΕΧΝΙΚΑ ΧΑΡΑΚΤΗΡΙΣΤΙΚΑ

Μοντέλο		D10VJ		D13VH	
Τάση (ανά περιοχές)*		(110V, 220V, 230V, 240V) ~			
Ισχύς εισόδου		690 W*			
Αλλαγή ταχύτητας		1	2	1	2
Ταχύτητα χωρίς φορτίο	Εμπρόσθια περιστροφή	0 – 1000 min <sup>-1</sup>	0 – 3000 min <sup>-1</sup>	0 – 1000 min <sup>-1</sup>	0 – 3000 min <sup>-1</sup>
	Αντίστροφη περιστροφή	0 – 600 min <sup>-1</sup>	0 – 1800 min <sup>-1</sup>	0 – 600 min <sup>-1</sup>	0 – 1800 min <sup>-1</sup>
Ικανότητα	Ατσάλι	10 mm	6 mm	13 mm	8 mm
	Ξύλο	25 mm	13 mm	40 mm	25 mm
Βάρος (χωρίς καλώδιο)		1,8 kg		1,9 kg	

\*Βεβαιωθείτε να ελέγξετε την πινακίδα στο προϊόν επειδή υπόκεινται σε αλλαγή σε εξάρτηση από την περιοχή.

## ΚΑΝΟΝΙΚΑ ΕΞΑΡΤΗΜΑΤΑ

- (1) Κλειδί Σφικτήρα (Αποκλειστικά για συντονισμένο σφικτήρα) ..... 1  
 (2) Πλευρική λαβή ..... 1  
 (3) Μετρητής βάθους ..... 1  
 Τα κανονικά εξαρτήματα μπορούν να αλλάξουν χωρίς προειδοποίηση.

## ΕΦΑΡΜΟΓΕΣ

- Άνοιγμα τρυπών σε μέταλλο, ξύλο και πλαστικό.

## ΠΡΙΝ ΤΗ ΛΕΙΤΟΥΡΓΙΑ

### 1. Πηγή ρεύματος

Βεβαιωθείτε ότι η πηγή ρεύματος που πρόκειται να χρησιμοποιηθεί είναι εναρμονισμένη με τις απαιτήσεις σε ρεύμα που αναφέρεται στην πινακίδα του εργαλείου.

### 2. Διακόπτης ρεύματος

Βεβαιωθείτε ότι ο διακόπτης ρεύματος βρίσκεται στη θέση OFF. Αν το βίσμα είναι στη μπρίζα καθώς ο διακόπτης ρεύματος βρίσκεται στο ON, το εργαλείο θα αρχίσει να λειτουργεί αμέσως, με πιθανότητα πρόκλησης σοβαρού ατυχήματος.

### 3. Καλώδιο προέκτασης

Όταν ο χώρος εργασίας βρίσκεται μακριά από την παροχή ρεύματος, χρησιμοποιήστε ένα καλώδιο προέκτασης με κατάλληλο πάχος και ικανότητα μεταφοράς ρεύματος. Το καλώδιο προέκτασης πρέπει να είναι τόσο κοντό όσο είναι πρακτικά δυνατό.

### 4. Επιλογή της κατάλληλης λεπίδας τρυπανιού

- Όταν τρυπάτε ξύλο  
Χρησιμοποιήστε μια λεπίδα τρυπανιού κατάλληλη για ξύλο.
- Όμως, όταν ανοίγετε τρύπες 6,5 mm ή μικρότερες τρύπες, χρησιμοποιήστε μια λεπίδα τρυπανιού που είναι κατάλληλη για μέταλλο.

### 5. Σύνδεση και αποσύνδεση της λεπίδας

#### Για συντονισμένο σφικτήρα (Εικ. 1)

- (1) Ανοίξετε τις αρπάγες του σφικτήρα, και βάλτε μέσα τη λεπίδα στο σφικτήρα.
- (2) Τοποθετήστε το κλειδί του σφικτήρα μέσα σε κάθε μια από τις τρεις τρύπες του σφικτήρα και περιστρέψτε το προς τα δεξιά (όψη από την μπροστινή πλευρά). Σφίξτε με ασφάλεια.
- (3) Για να αφαιρέσετε τη λεπίδα, τοποθετήστε το κλειδί του σφικτήρα μέσα σε μια από τις τρύπες του σφικτήρα και περιστρέψτε το προς τα αριστερά.

#### Για σφικτήρες χωρίς κλειδί (Εικ. 2, 3)

- (1) Στερέωση της λεπίδας  
Στέψτε το βραχίονα προς τα αριστερά και ανοίξετε το σφικτήρα. Αφού το εισχωρήσετε την λεπίδα του τρυπανιού μέσα στον σφικτήρα όσο μέσα μπορεί να πάει, πιάστε το δακτύλιο συγκράτησης και κλείστε το σφικτήρα περιστρέφοντας τον βραχίονα προς τα δεξιά όπως φαίνεται από εμπρός.
- (2) Αποσυναρμολόγηση της λεπίδας  
Πιάστε τον δακτύλιο συγκράτησης και ανοίξετε τον σφικτήρα περιστρέφοντας τον βραχίονα προς τα αριστερά.

### ΣΗΜΕΙΩΣΗ

Όταν ο σφικτήρας δεν χαλαρώνει περισσότερο, στερεώστε την πλευρική λαβή στον δακτύλιο συγκράτησης, κρατήστε την πλευρική λαβή γερά, μετά περιστρέψτε τον βραχίονα για να ξεσφίξει με το χέρι (Εικ. 4).

### 6. Ελέγξτε την περιστροφική διέθυνση (Εικ. 5)

Η λεπίδα περιστρέφεται προς τα δεξιά (όψη από την πίσω πλευρά) πατώντας την R-πλευρά του κουμπιού. Η L-πλευρά του κουμπιού πατιέται για να περιστραφεί η λεπίδα προς τα αριστερά. (Τα σημάδια (L) και (R) παρέχονται πάνω στο σώμα.)

### 7. Στερέωση της πλευρικής λαβής (Εικ. 6)

Συνδέστε την πλευρική λαβή στο τμήμα στερέωσης. Περιστρέψτε το χερούλι της πλευρικής λαβής προς τα δεξιά για να το ασφαλίσετε.

Τοποθετήστε την πλευρική λαβή σε τέτοια θέση έτσι ώστε να είναι κατάλληλη για λειτουργία και μετά σφίξτε γερά το χερούλι της πλευρικής λαβής. Για συνδέστε το μετρητή βάθους στην πλευρική λαβή, βάλτε τον μετρητή μέσα στην αυλάκωση της πλευρικής λαβής που έχει σχήμα U, ρυθμίστε την θέση του μετρητή βάθους σύμφωνα με το επιθυμητό βάθος της τρύπας, και γερά σφίξτε το χερούλι της πλευρικής λαβής (Εικ. 7).

### 8. Αλλαγή από Υψηλή ταχύτητα σε Χαμηλή ταχύτητα:

Πριν την αλλαγή της ταχύτητας, εξασφαλίστε ότι ο διακόπτης είναι στην κλειστή θέση OFF, και ότι το τρυπάνι είναι εντελώς σταματημένο.

Για να αλλάξετε ταχύτητα, περιστρέψτε το καντράν αλλαγής ταχύτητας όπως υποδεικνύεται από το βέλος στην Εικ. 8. Ο αριθμός "1" που είναι σκαλισμένος στο κορμό του τρυπανιού δείχνει την χαμηλή ταχύτητα, ο αριθμός "2" δείχνει την υψηλή ταχύτητα.

Σε περίπτωση που είναι δύσκολο να γυρίσετε το καντράν αλλαγής ταχύτητας, γυρίστε το σφικτήρα ελαφρά προς οποιαδήποτε κατεύθυνση και κατόπιν ξανά το καντράν αλλαγής ταχύτητα.

## ΠΩΣ ΝΑ ΤΟ ΧΡΗΣΙΜΟΠΟΙΗΣΕΤΕ

### 1. Λειτουργία διακόπτη

- Όταν η σκανδάλη είναι χαμηλωμένη, το εργαλείο περιστρέφεται.
- Όταν η σκανδάλη ελευθερωθεί το εργαλείο σταματά.
- Η ταχύτητα περιστροφής του δραπάνου μπορεί να ελεγχθεί από το κατά πόσο τραβιέται η σκανδάλη διακόπτης. Η ταχύτητα είναι χαμηλή όταν η σκανδάλη διακόπτης τραβηχθεί ελαφρά και αυξάνει καθώς η σκανδάλη διακόπτης τραβιέται περισσότερο.
- Η επιθυμητή ταχύτητα περιστροφής μπορεί να επιλεχτεί εκ των προτέρων με το καντράν ελέγχου ταχύτητας.  
Γυρίστε το καντράν ελέγχου ταχύτητας δεξιόστροφα για την υψηλότερη ταχύτητα και αριστερόστροφα για τη χαμηλότερη ταχύτητα (Εικ. 9).
- Το τράβηγμα της σκανδάλης και το σπρώξιμο του στόπερ, διατηρεί την κατάσταση λειτουργίας, η οποία είναι βολική για συνεχής λειτουργία. Κατά το σβήσιμο, το στόπερ μπορεί να αποσυνδεθεί τραβώντας τη σκανδάλη ξανά.

### ΠΡΟΣΟΧΗ

Σε περίπτωση που η αριστερή πλευρά του κουμπιού ώθησης είναι πατημένη για αντίστροφη περιστροφή τεμαχιδίων, δεν μπορεί να χρησιμοποιηθεί ο κόφτης.

### 2. Τρύπημα

- Κατά το τρύπημα, αρχίστε να τρυπάτε αργά, και προοδευτικά αυξήστε την ταχύτητα καθώς τρυπάτε.
- Πάντοτε να εφαρμόζετε πίεση σε ευθεία γραμμή με την λεπίδα. Χρησιμοποιήστε αρκετή δύναμη για να συνεχίσετε να τρυπάτε, αλλά όμως μην σπρώξετε πάρα πολύ τόσο ώστε να μπλοκάρει το μοτέρ ή να αποκλίνει η λεπίδα.
- Για να ελαχιστοποιήσετε το μπλοκάρισμα ή να διαπεράσετε το υλικό, ελαττώστε την πίεση στο δρέπανο και στη λεπίδα κατά το τελευταίο τμήμα της τρύπας.
- Αν το δρέπανο μπλοκάρει, ελευθερώστε τη σκανδάλη αμέσως, αφαιρέστε τη λεπίδα από το αντικείμενο εργασίας και ξεκινήστε ξανά. Μην ενεργοποιείτε και απενεργοποιείτε τη σκανδάλη σε μια προσπάθεια να ξεκινήσετε ένα μπλοκαρισμένο δρέπανο.
- Όσο μεγαλύτερη είναι η διάμετρος της λεπίδας του δραπάνου, τόσο μεγαλύτερη είναι και η δύναμη αντίδρασης πάνω στο χάρι σας.  
Προσέξτε να μην χάσετε τον έλεγχο του δραπάνου εξαιτίας αυτής της δύναμης αντίδρασης.  
Για να κρατήσετε τον απόλυτο έλεγχο, διατηρείτε ένα καλό πάτημα, χρησιμοποιήστε την πλευρική

λαβή, κρατήστε το δράπανο σφικτά με τα δυο χέρια και βεβαιωθείτε ότι το δράπανο είναι κάθετο ως προς το υλικό το οποίο πρόκειται να τρυπηθεί.

## ΣΥΝΤΗΡΗΣΗ ΚΑΙ ΕΛΕΓΧΟΣ

### 1. Έλεγχος των λεπίδων του δραπάνου

Επειδή η χρήση των φθαρμένων λεπίδων θα προκαλέσει την δυσλειτουργία του μοτέρ και την μειωμένη αποδοτικότητα, αντικαταστήστε τις λεπίδες του δραπάνου με καινούργιες ή ακονίστε τις χωρίς καθυστέρηση όταν παρατηρηθεί η φθορά.

### 2. Έλεγχος των διδών στερέωσης

Ελέγχετε περιοδικά όλες τις βίδες στερέωσης και βεβαιωθείτε ότι είναι κατάλληλα σφιγμένες. Στην περίπτωση που χαλαρώσει οποιαδήποτε βίδα σφίξτε την ξανά αμέσως. Αν δεν το κάνετε αυτό μπορεί να έχει ως αποτέλεσμα το σοβαρό τραυματισμό.

### 3. Συντήρηση του μοτέρ

Η περιέλιξη της μονάδα του μοτέρ είναι η καρδιά του ηλεκτρικού εργαλείου. Δώστε μεγάλη προσοχή για να σιγουρευτείτε ότι η περιέλιξη δεν θα πάθει ζημιά και / ή θα βρεχθεί με λάδι ή νερό.

### 4. Έλεγχος στα καρβουνάκια

Για την συνεχιζόμενη ασφάλεια σας και την προστασία σας από την ηλεκτροπληξία, ο έλεγχος στα καρβουνάκια και η αντικατάσταση αυτού του εργαλείου πρέπει ΜΟΝΟ να γίνεται από ένα Εξουσιοδοτημένο Κέντρο Σέρβις της Hitachi.

### 5. Αντικατάσταση του καλωδίου παροχής ρεύματος.

Αν το καλώδιο παροχής ρεύματος του Εργαλείου πάθει ζημιά, το Εργαλείο πρέπει να επιστραφεί στο Εξουσιοδοτημένο Κέντρο Σέρβις της Hitachi για να αντικατασταθεί.

### 6. Λίστα συντήρησης των μερών

A: Αρ. Αντικειμένου

B: Αρ. Κωδικού

C: Αρ. που χρησιμοποιήθηκε

D: Παρατηρήσεις

## ΠΡΟΣΟΧΗ

Η επισκευή, η τροποποίηση και ο έλεγχος των Ηλεκτρικών Εργαλείων Hitachi πρέπει να γίνεται από ένα Εξουσιοδοτημένο Κέντρο Σέρβις της Hitachi.

Αυτή η Λίστα των Μερών θα είναι χρήσιμη αν παρουσιαστεί μαζί με το εργαλείο στο Εξουσιοδοτημένο Κέντρο Σέρβις της Hitachi όταν ζητάτε επισκευή ή κάποια άλλη συντήρηση.

Κατά τον έλεγχο και τη συντήρηση των ηλεκτρικών εργαλείων, οι κανόνες ασφαλείας και οι κανονισμοί που υπάρχουν σε κάθε χώρα πρέπει να ακολουθούνται.

## ΤΡΟΠΟΠΟΙΗΣΗ

Τα Ηλεκτρικά Εργαλεία Hitachi βελτιώνονται συνεχώς και τροποποιούνται για να συμπεριλάβουν τις τελευταίες τεχνολογικές προόδους.

Κατά συνέπεια, ορισμένα τμήματα (δηλ. κωδικοί αριθμοί και / ή σχεδιασμός) μπορούν να αλλάξουν χωρίς προηγούμενη ειδοποίηση.

## ΣΗΜΕΙΩΣΗ

Εξαιτίας του συνεχιζόμενου προγράμματος έρευνας και ανάπτυξης της Hitachi τα τεχνικά χαρακτηριστικά που εδώ αναφέρονται μπορούν να αλλάξουν χωρίς προηγούμενη ειδοποίηση.

## Πληροφορίες που αφορούν τον εκπεμπόμενο θόρυβο και τη δόνηση

Οι τιμές μετρήθηκαν σύμφωνα με το EN60745 και βρέθηκαν σύμφωνες με το ISO 4871.

Ένα τυπικό επίπεδο πίεσης ήχου A : 80 dB (A).

Αβεβαιότητα KrA: 3 dB (A)

Φοράτε προστατευτικά αυτιών.

Μια τυπική τιμή ρίζας μέσης τετραγωνικής επιτάχυνσης: 2,5 m/s<sup>2</sup>

## OGÓLNE WSKAZÓWKI BEZPIECZEŃSTWA

### OSTRZEŻENIE!

#### Należy przeczytać wszystkie instrukcje

Nieprzestrzeganie któregośkolwiek z zamieszczonych poniżej zaleceń może być przyczyną porażenia prądem elektrycznym, pożaru i/lub poważnych obrażeń ciała. Występujące w poniższych ostrzeżeniach wyrażenie "urządzenie elektryczne" oznacza urządzenia zasilane z sieci elektrycznej (za pomocą przewodu) lub baterii (bezprowodowo).

### INSTRUKCJE POWINNY BYĆ ZACHOWANE NA PRZYSZŁOŚĆ

#### 1) Miejsce pracy

- Miejsce pracy powinno być uprzątnięte i czyste.**  
*W miejscach nieuporządkowanych i źle oświetlonych ryzyko wypadku jest większe.*
- Nie należy używać urządzeń elektrycznych w przypadku zagrożenia wybuchem, na przykład w obecności łatwopalnych płynów, gazów lub pyłów.**  
*Urządzenia elektryczne wytwarzają iskry, które mogą spowodować zapłon pyłu.*
- Dzieci i osoby postronne nie powinny znajdować się w pobliżu pracującego urządzenia elektrycznego.**  
*Odwrócenie uwagi użytkownika może spowodować utratę kontroli nad urządzeniem.*

#### 2) Bezpieczeństwo elektryczne

- Wtyczka urządzenia elektrycznego musi być odpowiednia do gniazdka.**  
**Nigdy nie należy w jakikolwiek sposób przerabiać wtyczki.**  
**Nie używać jakichkolwiek elementów łączących z urządzeniami wymagającymi uziemienia.**  
*Używanie tylko oryginalnych wtyczek pasujących do gniazdka ogranicza ryzyko porażenia prądem elektrycznym.*
- Unikać kontaktu z przedmiotami uziemionymi, takimi jak rury, kaloryfery, kuchenki i urządzenia chłodnicze.**  
*W przypadku dotykania uziemienia ryzyko porażenia prądem elektrycznym jest większe.*
- Nie narażać urządzeń elektrycznych na działanie deszczu lub wilgoci.**  
*Przedostanie się wody do urządzenia zwiększa ryzyko porażenia prądem elektrycznym.*
- Odpowiednio używać przewodów zasilających. Nigdy nie wykorzystywać przewodu do przenoszenia lub ciągnięcia urządzenia lub też wyciągania wtyczki z gniazdka.**  
**Utrzymywać przewód z dala od źródeł ciepła, oleju, ostrych krawędzi lub części ruchomych.**  
*Uszkodzenie lub nacięcie przewodu zwiększa ryzyko porażenia prądem elektrycznym.*
- Podczas pracy z urządzeniem elektrycznym na wolnym powietrzu należy używać odpowiedniego przedłużacza.**  
*Używanie przedłużacza przeznaczonego do pracy na wolnym powietrzu zmniejsza ryzyko porażenia prądem elektrycznym.*

#### 3) Bezpieczeństwo osobiste

- Podczas pracy z urządzeniem elektrycznym należy zachowywać koncentrację i planować wykonywane zadania, kierując się zdrowym rozsądkiem.**  
**Urządzenia elektryczne nie powinny obsługiwać osoby zmęczone lub znajdujące się pod wpływem substancji odurzających, alkoholu lub lekarstw.**  
*Chwila nieuwagi podczas pracy z urządzeniem może stać się przyczyną poważnych obrażeń.*
- Używać wyposażenia ochronnego. Zawsze nosić okulary ochronne.**  
*Używanie wyposażenia ochronnego, takiego jak maski przeciwpyłowe, buty przeciwpoślizgowe, odpowiednie nakrycie głowy i słuchawki ogranicza ryzyko obrażeń ciała.*
- Unikać nieprzewidzianego uruchomienia urządzenia. Przed włożeniem wtyczki do gniazdka upewnić się, że urządzenie jest wyłączone.**  
*Przenoszenie urządzenia z palcem na wyłączniku lub podłączenie do sieci włączonego urządzenia może spowodować wypadek.*
- Przed włączeniem urządzenia usunąć wszelkiego rodzaju klucze regulacyjne.**  
*Pozostawienie klucza w ruchomej części urządzenia może spowodować obrażenia.*
- Nie trzymać urządzenia zbyt daleko od siebie. Zachować stabilną pozycję przez cały czas.**  
*Umożliwia to pełne panowanie nad urządzeniem, nawet w nieoczekiwanych sytuacjach.*
- Nosić odpowiednią odzież. Nie należy nosić luźnych ubrań oraz biżuterii. Utrzymywać włosy, odzież i rękawice z dala od ruchomych części urządzenia.**  
*Luźne ubrania, biżuteria lub długie włosy mogą zostać wciągnięte przez poruszające się części.*
- Jeżeli urządzenie wyposażone jest w system odprowadzania pyłu, powinien on być założony i właściwie używany.**  
*Użycie tego rodzaju urządzeń ograniczy zagrożenia związane z gromadzeniem się pyłu.*

#### 4) Obsługa i konserwacja urządzenia

- Nie dociskać urządzenia zbyt mocno. Należy używać tylko właściwego urządzenia, odpowiedniego dla wykonywanej pracy.**  
*Użycie odpowiedniego urządzenia spowoduje, że praca zostanie wykonana lepiej i bezpieczniej.*
- Nie używać urządzenia elektrycznego, którego wyłącznik jest niesprawny.**  
*Urządzenie, które nie może zostać wyłączone za pomocą wyłącznika, jest niebezpieczne i musi zostać przeznaczone do naprawy.*
- Przed przystąpieniem do jakichkolwiek prac, jak na przykład wymiana akcesoriów, urządzenie musi zostać wyłączone z sieci. To samo dotyczy przechowywania urządzenia nieużywanego.**  
*Umożliwi to zmniejszenie ryzyka nieprzewidzianego uruchomienia urządzenia.*
- Urządzenia elektryczne powinny być przechowywane poza zasięgiem dzieci oraz wszelkich osób nie znających zasad funkcjonowania i obsługi tego typu urządzeń.**  
*Obsługa urządzeń elektrycznych przez osoby nie znające zasad ich funkcjonowania jest niebezpieczna.*



- e) Wykonywać odpowiednie prace konserwacyjne. Kontrolować prawidłowość ustawienia części ruchomych, ich uszkodzenia i wszelkie inne kwestie, mogące spowodować nieprawidłową pracę urządzenia. Uszkodzone urządzenie powinno zostać natychmiast przekazane do naprawy. *Wiele wypadków spowodowane jest niewłaściwą konserwacją urządzeń elektrycznych.*
- f) Narzędzia tnące powinny być naostrzone i czyste. Odpowiednio naostrzone narzędzia nie będą się wyginać i są łatwiejsze w używaniu.
- g) Urządzenie elektryczne, akcesoria, wiertła itd. powinny być używane zgodnie z niniejszymi zaleceniami oraz w sposób odpowiadający wykonywanej pracy, przy uwzględnieniu warunków panujących w otoczeniu. *Wykorzystanie urządzenia elektrycznego do pracy, do której nie jest ono przeznaczone, grozi wypadkiem.*
- 5) Serwis
- a) Urządzenie powinno być serwisowane tylko przez osoby posiadające odpowiednie kwalifikacje, przy użyciu wyłącznie identycznych, oryginalnych części zamiennych. *Zapewni to utrzymanie pełnego bezpieczeństwa pracy z urządzeniem.*

### ŚRODKI OSTROŻNOŚCI

Dzieci i osoby niepełnosprawne nie powinny znajdować się w pobliżu urządzenia.

Nie używane urządzenie powinno być przechowywane w miejscu poza zasięgiem dzieci i osób niepełnosprawnych.

### ŚRODKI OSTROŻNOŚCI PRZY UŻYCIU WIERTARKI

1. Przed wierceniem w ścianach, sufitach czy podłogach upewnij się, że nie ma w nich żadnych kabli elektrycznych.
2. Używać uchwytów pomocniczych dostarczonych wraz z urządzeniem. Utrata kontroli może prowadzić do obrażeń ciała.
3. Nie wolno używać rękawic wykonanych z materiału, który może się zawiązać, np. bawełny, wełny, sukna lub nici.

## DANE TECHNICZNE

Model	D10VJ		D13VH		
Napięcie (w zależności od miejsca)*	(110V, 220V, 230V, 240V) ~				
Moc pobierana	690 W*				
Zmiana prędkości	1	2	1	2	
Prędkość bez obciążenia	Obroty zgodnie z ruchem wsk. zeg.	0 – 1000 min <sup>-1</sup>	0 – 3000 min <sup>-1</sup>	0 – 1000 min <sup>-1</sup>	0 – 3000 min <sup>-1</sup>
	Obroty w kier. przeciwnym	0 – 600 min <sup>-1</sup>	0 – 1800 min <sup>-1</sup>	0 – 600 min <sup>-1</sup>	0 – 1800 min <sup>-1</sup>
Wydajność	Stal	10 mm	6 mm	13 mm	8 mm
	Drewno	25 mm	13 mm	40 mm	25 mm
Waga (bez kabla)	1,8 kg		1,9 kg		

\*Sprawdź nazwę produktu, jako że ulega ona zmianie w zależności od miejsca zakupu.

## WYPOSAŻENIE STANDARDOWE

- (1) Klucz do uchwytu wiertarskiego (tylko dla uchwytu z kluczem) ..... 1
- (2) Uchwyt boczny ..... 1
- (3) Ogranicznik głębokości ..... 1
- Wypożyczenie standardowe może ulec zmianie bez uprzedzenia.

## ZASTOSOWANIE

- Wiercenie otworów w metalu, drewnie, tworzywach sztucznych.

## PRZED UŻYCIEM

### 1. Źródło mocy

Upewnij się, że źródło mocy jest zgodne z wymogami mocy zaznaczonymi przy nazwie produktu.

### 2. Przelącznik

Upewnij się, że przelącznik jest wyłączony (pozycja OFF). Jeśli wtyczka jest włączona do prądu gdy przelącznik jest włączony (pozycja ON), narzędzie zacznie działać natychmiast, co może spowodować poważny wypadek.

### 3. Przedłużacz

Kiedy miejsce pracy znajduje się daleko od źródła prądu, użyj przedłużacza o wystarczającym przekroju. Przedłużacz powinien być tak krótki, jak tylko jest to możliwe i wartości znamionowej.

### 4. Wybór odpowiedniego wiertła

- Do wiercenia w metalu lub plastiku  
Używaj normalnych wiertel do metalu.
- Do wiercenia w drewnie  
Używaj normalnych wiertel do drewna.  
Przy wierceniu otworów mniejszych, niż 6,5 mm, używaj jednak wiertel do metalu.

## 5. Mocowanie i wyjmowanie wiertła

### Uchwyt z kluczem (Rys. 1)

- (1) Otwórz szczęki uchwytu i włóż wiertło do uchwytu.
- (2) Włóż klucz uchwytu do każdego z trzech otworów uchwytu i obracając kluczem zgodnie z ruchem wskazówek zegara (patrząc od przodu) zamocuj wiertło.
- (3) By wyjąć wiertło, włóż klucz do jednego z otworów w uchwycie i obróć klucz w kierunku przeciwnym do ruchu wskazówek zegara.

### Uchwyt bez klucza (Rys. 2, 3)

- (1) Montowanie wiertła  
Obróć tuleję w kierunku zgodnym z ruchem wskazówek zegara otwierając uchwyt. Włóż wiertło tak głęboko, jak to możliwe, a następnie schwyć za pierścień ustalający i obracając tuleję w kierunku zgodnym z ruchem wskazówek zegara (patrząc z przodu) zamknij uchwyt.
- (2) Wyjmowanie wiertła  
Trzymając pierścień ustalający i obracając tuleję w kierunku przeciwnym do ruchu wskazówek zegara otwórz uchwyt.

### UWAGA

Gdy tuleja nie daje się już dalej poluzować, należy zainstalować na pierścieniu uchwyt boczny i trzymając go mocno obrócić tuleję luzując ją ręcznie (Rys. 4).

## 6. Sprawdzenie kierunku obrotów (Rys. 5)

Wiertło obraca się w kierunku zgodnym z ruchem wskazówek zegara (patrząc od tyłu) po wciśnięciu przycisku ze strony oznaczonej literą R. Wciśnięcie przycisku ze strony oznaczonej literą L służy do włączania obrotów w kierunku przeciwnym do ruchu wskazówek zegara.

(Literey (L) i (R) są umieszczone na obudowie narzędzia.)

## 7. Mocowanie uchwytu bocznego (Rys. 6)

Załóż uchwyt boczny na część montażową. Obróć rączkę uchwytu bocznego w kierunku zgodnym z ruchem wskazówek zegara zaciskając uchwyt. Najpierw wybierz takie ustawienie uchwytu bocznego, by móc wygodnie używać młotowiertarki, dopiero wtedy zaciśnij uchwyt.

By założyć ogranicznik głębokości na uchwycie bocznym włóż ogranicznik w rowek w kształcie litery U na uchwycie bocznym, wybierz położenie ogranicznika odpowiadające pożądanej głębokości otworu i dokręć mocno rączkę uchwytu bocznego (Rys. 7).

## 8. Zmiana prędkości pracy–Wysoka/Niska

Przed zmianą prędkości pracy młotowiertarki upewnij się, że przełącznik jest w pozycji OFF i że wiertło przestało się poruszać.

By zmienić prędkość, należy obrócić pokrętło przełożenia zgodnie ze strzałką – jak to pokazano na Rys. 8. Cyfra "1" na obudowie młotowiertarki oznacza niską prędkość, cyfra "2" – wysoką.

Jeżeli pokrętło zmiany prędkości stawia opór, obróć nieco uchwyt w dowolnym kierunku i spróbuj ponownie obrócić pokrętło.

- Prędkością obrotową wiertła można sterować różnicując stopień wciśnięcia spustu. Prędkość jest mniejsza, gdy spust jest wciśnięty tylko trochę i wzrasta przy dalszym jego wciskaniu.
- Pożądaną prędkość obrotów można ustawić wcześniej pokrętłem kontroli prędkości.
- By zwiększyć prędkość obrotów obróć pokrętło kontroli prędkości w kierunku zgodnym z ruchem wskazówek zegara, by prędkość zmniejszyć – w kierunku odwrotnym (Rys. 9).
- Wciśnięcie zatyczki po wciśnięciu spustu włącza narzędzie w tryb pracy, co jest przydatne przy pracy ciągłej. Aby wyłączyć zatyczkę, należy ponownie wcisnąć spust.

### UWAGA

Jeżeli w celu uruchomienia narzędzia w kierunku odwrotnym do ruchu wskazówek zegara wciśnięty zostanie przycisk po stronie oznaczonej literą L, to używanie zatyczki jest niemożliwe.

## 2. Wiercenie

- Podczas wiercenia uruchamiaj narzędzie powoli i stopniowo zwiększaj prędkość obrotów.
- Młotowiertarkę dociskaj zawsze w kierunku wyznaczonym przez osł wiertła. Dociskaj narzędzie tylko na tyle, by końcówka wiertła mogła pobierać nowy materiał, nie dociskaj młotowiertarki zbyt mocno – możesz przeciążyć silnik i zatrzymać go lub wygiąć wiertło.
- By zminimalizować ryzyko unieruchomienia wiertła w otworze i przebijania się przez wiercony materiał pod koniec wiercenia otworu zmniejsz nacisk i pozwól, by wiertło popracowało pod mniejszym obciążeniem.
- Jeżeli wiertło utknie w otworze, natychmiast zwolnij spust i wyjmij wiertło z otworu – dopiero wtedy możesz ponownie uruchomić narzędzie i powrócić do wiercenia. Nie próbuj uruchomić młotowiertarki wielokrotnie naciskając i zwalniasz spust. Może to doprowadzić do jej uszkodzenia.
- Im większa średnica wiertła, z tym większą siłą młotowiertarka napiera na Twoje ramię. Używaj więc młotowiertarki ostrożnie, by nie ulec tej sile reakcji i nie utracić nad nią kontroli. By zachować pełnię kontroli nad młotowiertarką podczas pracy należy pewnie stać na ziemi, używać uchwytu bocznego, trzymać narzędzie mocno obiema rękami i upewnić się, że wiertło jest prostopadłe do powierzchni nawiercanego materiału.

## KONSERWACJE I PRZEGLĄDY

### 1. Kontrola wiertel

Jako, że używanie tępych wiertel powoduje niewłaściwą pracę silnika, i zmniejsza wydajność młotowiertarki, po zauważeniu, że wiertło się stępilo niezwłocznie wymień je na nowe lub naostrz.

### 2. Kontrola śrub mocujących

Regularnie sprawdzaj, czy wszystkie śruby mocujące są dokręcone. Jeżeli jakakolwiek z nich się poluzowała, to natychmiast ją dokręć. W innym razie mogłoby to doprowadzić do poważnego wypadku.

### 3. Konserwacja silnika

Wirnik silnika jest sercem tego urządzenia elektrycznego. Zadbaj, by wirnik nie został uszkodzony i/lub nie zawilgotniał lub nie pokrył się olejem.

## JAK UŻYWAĆ MŁOTOWIERTARKI

### 1. Włączanie

- Gdy spust jest wciśnięty, to narzędzie pracuje. Gdy spust zostanie zwolniony, narzędzie się zatrzyma.

#### 4. Kontrola szczoteczek węglowych

By praca z narzędziem zawsze była bezpieczna i aby uniknąć ryzyka porażenia prądem, węglowe szczoteczki tego narzędzia powinny być sprawdzane i wymieniane TYLKO przez Autoryzowane Centrum Obsługi Hitachi.

#### 5. Wymiana kabla zasilającego

Jeśli kabel zasilający tego urządzenia ulegnie uszkodzeniu, młotowiertarkę należy przynieść do Autoryzowanego Centrum Obsługi Hitachi w celu wymiany kabla.

#### 6. Lista części zamiennych

- A: Nr. części
- B: Nr. kodu
- C: Ilość użytych części
- D: Uwagi

#### UWAGA

Naprawy, modyfikacji i kontroli Narzędzi Elektrycznych Hitachi może dokonywać tylko Autoryzowane Centrum Obsługi Hitachi.

Ta lista części będzie przydatna, jeśli zostanie wręczona Autoryzowanemu Centrum Obsługi Hitachi, gdy zanieśmy narzędzie do naprawy lub przeglądu.

Podczas używania i konserwacji narzędzi elektrycznych należy przestrzegać przepisów i norm bezpieczeństwa danego kraju.

#### MODYFIKACJE

Narzędzia elektryczne Hitachi są ciągle ulepszane i modyfikowane w celu wprowadzania najnowszych osiągnięć nauki i techniki.

W związku z tym pewne części (a także numery kodów i konstrukcja) mogą ulec zmianom bez uprzedzenia.

---

#### UWAGA

W związku z prowadzonym przez Hitachi programem badań i rozwoju, specyfikacje te mogą się zmienić w każdej chwili bez uprzedzenia.

---

---

#### Informacja dotycząca poziomu hałasu i wibracji

Mierzone wartości były określone według EN60745 i zadeklarowane zgodnie z ISO 4871.

Typowy poziom dźwięku A: 80 dB (A).

Niepewność KpA: 3 dB (A).

Używaj ochroniacza uszu.

Typowa wartość skuteczna przyspieszenia wynosi: 2,5 m/s<sup>2</sup>.

---

## ÁLTALÁNOS BIZTONSÁGTECHNIKAI ELŐÍRÁSOK

### FIGYELEM!

#### Olvassa végig az utasításokat

*Az alábbi utasítások be nem tartása áramütést, tüzet és súlyos sérülést okozhat.*

*Az alábbi figyelmeztetésekben szereplő "elektromos szerszámgép" kifejezés az ön - hálózatról üzemeltetett (vezetékes) vagy akkumulátoros (vezeték nélküli) - elektromos szerszámgépére vonatkozik.*

### ŐRIZZE MEG AZ UTASÍTÁSOKAT

#### 1) A munkahely

- A munkahelyet tartsa tisztán, és megfelelően világítsa meg.**  
*A túlzásfólt és sötét munkahelyek vonzzák a baleseteket.*
- Az elektromos szerszámgépeket ne használja robbanásveszélyes légterben, például gyúlékony folyadékok, gázok vagy por mellett.**  
*Az elektromos szerszámgépek szikrákat bocsáthatnak ki, melyek berobbanthatják a jelenlévő port.*
- A szerszámgép működtetése közben tartsa távol a gyermekeket és a körülállókat.**  
*A figyelmeztetés a szerszámgép feletti kontroll elvesztését okozhatja.*

#### 2) Érintésvédelem

- Az elektromos szerszámgép dugaszának illeszkednie kell a hálózati csatlakozóaljzatba. Semmilyen körülmények között ne módosítsa a dugaszt.**  
**Ne használjon semmilyen átalakító dugaszt a földelt elektromos szerszámgéppel.**  
*A módosítás nélküli dugaszok és a megfelelő aljzatok csökkentik az elektromos áramütés veszélyét.*
- Ügyeljen arra, hogy munka közben ne érintsen meg földelt felületeket, pl. csővezetékeket, fűtőtesteket, tűzhelyeket vagy hűtőberendezéseket.**  
*Ha a kezelő teste földelve van, az áramütés veszélye megnő.*
- Az elektromos szerszámgépeket ne tegye ki eső vagy nedvesség hatásának.**  
*Az elektromos szerszámgépbe kerülő víz növeli az áramütés veszélyét.*
- Ne rongálja meg az elektromos csatlakozókábelt. A szerszámgépet ne hordozza a kábelnél fogva, és a villásdugót soha ne a kábelnél fogva húzza ki a dugaszolóaljzatból.**  
**Védje a kábelt a magas hőmérséklettől, olajtól és az éles sarkoktól.**  
*A sérült vagy összegabalyodott vezetékek növelik az elektromos áramütés veszélyét.*
- Ha a szabadban kell munkát végeznie, mindig csak az erre a célra alkalmas hosszabbító kábelt használjon.**  
*A kültéri használatra alkalmas hosszabbító használatra csökkenti az elektromos áramütés veszélyét.*

#### 3) A testi épség védelme

- Mindig figyeljen oda a végzett munkára. Az elektromos szerszámgéppel végzett munka teljes figyelmet igényel.**  
**Ne használja a készüléket, ha nem érzi kaphintnek magát, ha kábítószert, alkoholt vagy gyógyszer hatása alatt áll.**  
*Egy pillanatnyi figyelmen kívül hagyás súlyos sérülést okozhat.*
- Használjon védőfelszerelést. Mindig használjon védőszemüveget.**  
*A védőfelszerelések, pl. a pormaszk, a csúszásbiztos biztonsági cipő, a védősisak és a füldugó használata csökkenti a sérülésveszélyt.*
- Kerülje a gép véletlenszerű beindítását. Mielőtt a csatlakozó dugót a dugaszolóaljzatba bedugja, mindig győződjék meg róla, hogy a készülék ki van kapcsolva.**  
*Ne tartsa ujját az indító kapcsolón, ha hordozza a készüléket, és ne csatlakoztasson bekapcsolt készüléket az áramforrásra.*
- Mielőtt a gépet bekapcsolja, mindig ellenőrizze, hogy kivette-e a készülékből a szerszámbeállító- illetve befogókulcsot.**  
*A forgó alkatrészben maradt szerszámbeállító- vagy befogókulcs személyi sérülést okozhat.*
- Ne nyújtsa ki a kezét túl nagy távolságra. Munka közben mindig álljon stabilan, és őrizze meg az egyensúlyát.**  
*Igy a váratlan helyzetekben sem veszti el a szerszám feletti uralmát.*
- Viseljen megfelelő munkaruhát. Munka közben ne viseljen bő öltözetet vagy ékszert. Haját, ruházatát és kesztyűjét tartsa távol a mozgó alkatrészektől.**  
*A bő öltözetet, ékszereket vagy a hosszú haját a mozgó alkatrészek elkapathatják.*
- Ha a készülék rendelkezik porleszívási, illetve -gyűjtési lehetőséggel, ügyeljen rá, hogy azok megfelelően legyenek csatlakoztatva és használva.**  
*A fenti eszközök használata csökkenti a por okozta veszélyt.*

#### 4) Az elektromos szerszámgép használata és karbantartása

- Ne erőltesse a szerszámot. Mindig az alkalmazásnak megfelelő szerszámot használjon.**  
*A megfelelő szerszámgép nominális teljesítményszinten jobban és biztonságosabban működik.*
- Ne használja a szerszámot, ha a kapcsoló azt nem kapcsolja megfelelően be, illetve ki.**  
*A kapcsolóval nem szabályozható szerszámgép veszélyes, és azt meg kell javítani.*
- Mindig húzza ki a dugaszoló aljzatból a csatlakozó dugót, mielőtt a készüléken beállításokat végezne, kicserélné a tartozékokat, vagy mielőtt eltárolná a készüléket.**  
*A fenti biztonsági óvintézkedések csökkentik a készülék véletlenszerű bekapcsolásának veszélyét.*

- d) A használaton kívüli szerszámokat tárolja gyermekek által nem hozzáférhető helyen, és ne engedje, hogy a készüléket az üzemeltetéshez nem értő személyek használják.

*A gyakorlatlan használó kezében a szerszámgépek különösen nagy veszélyt jelentenek.*

- e) A szerszámgépek karbantartása. Ellenőrizze a mozgó alkatrészek illesztését, rögzítését, az alkatrészek esetleges repedését és minden olyan tulajdonságot, mely hatással lehet a munkavégzésre.

**Meghibásodás esetén használat előtt javítsa meg a készüléket.**

*A nem megfelelő karbantartás sok balesetet okoz.*

- f) A vágószerszámokat mindig tartsa élesen és tisztán.

*A megfelelően karbantartott - éles vágóélű-vágószerszámok kisebb eséllyel görbülnek el, és könnyebben irányíthatók.*

- g) **Használja a szerszámgépet és a fűrőfejeket stb. az utasításoknak és az adott szerszámgép rendeltetésének megfelelően, mindig figyelembe véve a munkakörülményeket és az elvégzendő munka jellegét.**

*A szerszámgép rendeltetésétől eltérő használata veszélyt okozhat.*

- 5) **Javítás**

- a) **A szerszámot csak - eredeti cserealkatrészeket használó - szakképzett személlyel javíttassa.**

*Igy biztosítható a szerszámgép biztonságos üzemeltetése.*

### ÖVINTÉZKEDÉS

**A gyermekeket és a felügyeletre szoruló személyeket tartsa távol az elektromos szerszámgéptől.**

**A használaton kívüli szerszámgépeket gyermekektől és felügyeletre szoruló személyektől elzárva kell tartani.**

### A FÜRŐGÉP HASZNÁLATÁVAL KAPCSOLATOS ELŐVIGYÁZATOSSÁGI INTÉZKEDÉSEK

- Falakba, mennyezetekbe vagy padlóba történő fúrás előtt győződjön meg arról, hogy azokban nem futnak elektromos vezetékek.
- Használja a szerszámgéphez mellékelt kiegészítő fogantyút. Az irányítás elvesztése személyi sérülést okozhat.
- Ne viseljen olyan anyagból készült kesztyűt, amely hajlamos arra, hogy felcsavarodjon (pamut, gyapjú, textil vagy spárpa, stb.)

### MŰSZAKI ADATOK

Modell		D10VJ		D13VH	
Feszültség (terület szerint)*		(110V, 220V, 230V, 240V) ~			
Névleges teljesítményfelvétel		690 W*			
Fordulatszám választás		1	2	1	2
Üresjárat fordulat/szám	Előrefelé történő forgás	0 – 1000 min <sup>-1</sup>	0 – 3000 min <sup>-1</sup>	0 – 1000 min <sup>-1</sup>	0 – 3000 min <sup>-1</sup>
	Hátrafelé történő forgás	0 – 600 min <sup>-1</sup>	0 – 1800 min <sup>-1</sup>	0 – 600 min <sup>-1</sup>	0 – 1800 min <sup>-1</sup>
Kapacitás	Acél	10 mm	6 mm	13 mm	8 mm
	Fa	25 mm	13 mm	40 mm	25 mm
Súly (tápkábel nélkül)		1,8 kg		1,9 kg	

\* Ne felejtse el ellenőrizni a típus táblán feltüntetett adatokat, mivel ezek területenként változnak!

### STANDARD TARTOZÉKOK

- (1) Tokmánykulcs (Csak kulcsos tokmány esetén) ..... 1  
 (2) Oldalfogantyú ..... 1  
 (3) Mélységmérő ..... 1  
 A standard tartozékok előzetes bejelentés nélkül változhatnak.

### FELHASZNÁLÁSI TERÜLETEK

- Lyukak fúrása fémbe, fába és műanyagba.

### ÜZEMBEHELYEZÉS ELŐTTI TENNIVALÓK

#### 1. Áramforrás

Ügyeljen rá, hogy a készülék adattábláján feltüntetett feszültség értéke megegyezzen az alkalmazni kívánt hálózati feszültséggel.

#### 2. Hálózati kapcsoló

Ügyeljen rá, hogy a hálózati kapcsoló KI állásba legyen kapcsolva. Ha a csatlakozódugót úgy csatlakoztatja a dugaszolóaljzatba, hogy a hálózati kapcsoló BE állásban van, akkor a kéziszerszám azonnal működésbe lép, ami súlyos balesetet idézhet elő.

#### 3. Hosszabbító vezeték

Ha a munkaterület az áramforrástól távol található, akkor egy megfelelő keresztmetszetű és teljesítményű hosszabbító vezetékkel kell alkalmazni. A hosszabbító vezeték a lehető legrövidebb legyen.

#### 4. A megfelelő fűrőhegy kiválasztása

- Fém vagy műanyag fúrása esetén  
 Használjon normál fémmegmunkáló fűrőhegyet.

- Ha fúrása esetén  
 Használjon normál famegmunkáló fűrőhegyet.  
 Ha azonban 6,5 mm-es vagy ennél kisebb lyukakat fúr, használjon fémmegmunkáló fűrőhegyet.

## 5. A hegy felszerelése és eltávolítása

### Kulcsos tokmány esetén (1. ábra)

- (1) Nyissa ki a tokmány szorítópoáit és helyezze be a hegyet a tokmányba.
- (2) Illesse be a tokmánykulcsot a tokmány mindhárom lyukába és fordítsa el az óra járásával egyező irányban (a szerszám elejéről szemlélve), majd pedig biztonságosan szorítsa meg.
- (3) A hegy eltávolításához illesse be a tokmánykulcsot a tokmány egyik lyukába és fordítsa el az óra járásával ellenkező irányba.

### Kulcs nélküli tokmány esetén (2, 3. ábra)

- (1) A hegy felszerelése  
Fordítsa el a karmantyút az óramutató járásával ellenkező irányban és nyissa ki a tokmányt. Miután a fűrőhegyet ütközésig behelyezte a tokmányba, fogja meg a visszatartó gyűrűt és zárja be a tokmányt úgy, hogy a karmantyút az óramutató járásával egyező irányban elfordítja (a szerszám elejéről szemlélve).
- (2) A hegy eltávolítása  
Fogja meg a visszatartó gyűrűt, és nyissa ki a tokmányt úgy, hogy a karmantyút az óramutató járásával ellenkező irányban fordítja el.

### MEGJEGYZÉS

Ha a karmantyú tovább már nem lazítható, rögzítse az oldalfogantyút a visszatartó gyűrűhöz, tartsa erősen az oldalfogantyút, majd pedig a kézzel történő oldáshoz fordítsa el a karmantyút (4. ábra).

### 6. Ellenőrizze a forgásirányt (5. ábra)

(A szerszám végétől szemlélve) a nyomógomb jobboldalának (R) megnyomását követően a hegy az óramutató járásával megegyező irányban forog.

A hegy óramutató járásával ellenkező irányban történő forgatásához nyomja meg a nyomógomb baloldalát (L). (Az (L) és az (R) jelöléseket a szerszám házában találja meg.)

### 7. Az oldalfogantyú rögzítése (6. ábra)

Csatlakoztassa az oldalfogantyút a befogórészbe.

A rögzítéshez forgassa az oldalfogantyút karmantyúját az óramutató járásával megegyező irányba.

Állítsa az oldalfogantyút olyan helyzetbe, hogy az megfeleljen a műveletnek, majd pedig biztonságosan szorítsa meg az oldalfogantyút karmantyúját.

A mélységmérőnek az oldalfogantúhoz történő csatlakoztatásához illesse be a mélységmérőt az oldalfogantún lévő horonyba, állítsa be a mélységmérőt a lyuk kívánt mélységének megfelelően, majd pedig biztonságosan szorítsa meg az oldalfogantú karmantyúját (7. ábra).

### 8. Átkapcsolás magas és alacsony fordulatszám között

A fordulatszám-váltást megelőzően győződjön meg arról, hogy a kapcsoló OFF (KI) állásban van, illetve, hogy a fűrő motorja teljesen leállt.

A fordulatszám átváltásához fordítsa el a fordulatszám kapcsolót a **8. ábra** által jelölt módon. A fűrő testébe mart "1" szám az alacsony fordulatszámot, a "2" szám pedig a magas fordulatszámot jelzi.

Ha nehéz elfordítani a fordulatszám kapcsolót, akkor fordítsa el kicsit a tokmányt tetszőleges irányba, majd pedig fordítsa el ismét a fordulatszám szabályzót.

## HASZNÁLAT

### 1. A kapcsoló működtetése

- A kapcsoló megnyomásakor a szerszám forog. Ha a kapcsolót felengedjük, akkor a szerszám megáll.
- A fűrő forgási sebességét a kapcsoló megnyomásának intenzitását változtatva tudjuk szabályozni. A kapcsoló enyhé megnyomásakor a fűrő sebessége alacsony, és a nyomás fokozásával a sebesség is növekszik.
- A kívánt forgási sebességet a fordulatszám szabályzóval előre is kiválaszthatjuk.

Magasabb fordulatszámhoz fordítsuk el a fordulatszám szabályzót az óramutató járával megegyező irányban, alacsonyabb fordulatszámhoz pedig az óramutató járásával ellenkező irányban (**9. ábra**).

- A kapcsoló és az ütköző együttes megnyomásakor a fűrő olyan bekapcsolt állapotban marad, amely kényelmes a folyamatos működéshez. Kikapcsoláskor az ütköző a kapcsoló ismételt megnyomásával lehet oldani.

### FIGYELEM!

Ha a nyomógomb baloldalát (L) nyomtuk le a hegy visszafelé történő forgatásához, akkor az ütköző nem használható.

### 2. Fúrás

- Fúráskor kezdjük a fúrást lassan, majd pedig fúrás közben fokozatosan emeljük a sebességet.
- Mindig a hegyvel egyenes vonalban alkalmazzon nyomást. Alkalmazzon a fúrásához elegendő nyomást, de ne nyomja annyira, hogy leálljon a motor, vagy pedig a hegy elhajoljon.
- A motor leállításának vagy az anyag áttörésének minimalizálásához csökkentse a fűrőre nehezedő nyomást és a lyuk utolsó részében könnyítve nyomja a hegyet.
- Ha a fűrő leáll, azonnal engedje fel a kapcsolót, távolítsa el a hegyet a munkadarabból, és kezdje újra. Ne nyomkodja a kapcsolót a leállt fűrő elindítását megkísérelve, ez ugyanis károsíthatja a fűrőt.
- Minél nagyobb a fűrőhegy átmérője, annál nagyobb a karra visszaható erő.

Ügyeljen arra, hogy ezen visszaható erő miatt el ne veszítse a fűrő feletti ellenőrzést.

A biztos ellenőrzéshez vesse meg alaposan a lábát, használja az oldalfogantyút, fogja erősen a fűrőt mindkét kezével, és gondoskodjon arról, hogy a fűrő függőlegesen hatoljon be a fúrandó anyagba.

## ELLENŐRZÉS ÉS KARBANTARTÁS

### 1. A fűrőhegyek ellenőrzése

Miután az elkopott fűrőhegyek használata a motor hibás működését és a hatékonyság romlását okozhatja, a kopottság észlelésekor késedelem nélkül cserélje ki a fűrőhegyeket új vagy pedig megélezett hegyekre.

### 2. A tartócsavarok ellenőrzése

Rendszeresen ellenőrizze az összes tartócsavart, és gondoskodjon arról, hogy azok szorosan meg legyenek húzva. Ha bármelyik csavar kilazulna, azonnal húzza meg őket. Ennek elmulasztása ugyanis súlyos veszélyt okozhat.

### 3. A motor karbantartása

Az elektromos szerszám lelke a motor tekerceselése. Ügyeljen arra, hogy a tekerceselés ne sérüljön meg és ne érje olaj vagy víz.

**4. A szénkefék ellenőrzése**

Az Ön folyamatos biztonsága és az elektromos áramütés veszélyének elkerülése érdekében e szerszám szénkeféinek ellenőrzését és cseréjét KIZÁRÓLAG csak Hitachi Szakszervíz végezheti.

**5. A tápkábel cseréje**

Ha a kéziszerszám tápkábele megsérült, akkor azt a tápkábel kicserélése végett el kell juttatni egy Hitachi szakszervízbe.

**6. Szervizelési alkatrészlista**

- A: Alkatrész-szám
- B: Kódszám
- C: Használt darabszám
- D: Megjegyzések

**FIGYELEM**

Hitachi kéziszerszámok javítását, módosítását és ellenőrzését csak Hitachi Szakszervíz végezheti.

Javítás vagy egyéb karbantartás esetén hasznos ha ezt a szerviz-alkatrész listát a szerszámmal együtt átadjuk a Hitachi szakszervíznek.

A kéziszerszámok üzemeltetése és karbantartása során be kell tartani az egyes országokban érvényben lévő biztonsági rendelkezéseket és szabványokat.

**MÓDOSÍTÁSOK**

A Hitachi kéziszerszámok állandó tökéletesítéseken mennek át, hogy alkalmazni tudják a legújabb műszaki fejlesztések eredményeit.

Éppen ezért egyes alkatrészek (azok kódszámai illetve kiviteli módjai) előzetes bejelentés nélkül megváltozhatnak.

**MEGJEGYZÉS**

A HITACHI folyamatos kutatási és fejlesztési programja következtében az itt szereplő műszaki adatok előzetes bejelentés nélkül változhatnak.

**A környezeti zajra és vibrációra vonatkozó információk**

A mért értékek az EN60745 szabványnak megfelelően kerültek meghatározásra és az ISO 4871 alapján kerülnek közzétételre.

Jellemző A-súlyozott hangnyomásszint: 80 dB (A).

Bizonytalanság KpA: 3 dB (A).

Viseljen hallásvédelmi eszközt.

A jellemző súlyozott gyorsulás négyzetes középértéke: 2,5 m/s<sup>2</sup>.

## VŠEOBECNÉ BEZPEČNOSTNÍ PŘEDPISY

### UPOZORNĚNÍ!

#### Prostudujte si všechny pokyny

Nedodržování všech níže uvedených pokynů může způsobit úraz elektrickým proudem, vznik požáru a/nebo vážné zranění.

Pojem "elektrické nářadí" ve všech níže uvedených upozorněních se vztahuje na elektricky poháněné nářadí připojené (pomocí přívodní šňůry) k elektrické síti nebo na elektrické (bezšňůrové) nářadí poháněné akumulátorem.

### DODRŽUJTE TYTO POKYNY

#### 1) Pracovní prostor

- a) **Udržujte pracovní prostor v čistotě a zajistěte jeho dobré osvětlení.**  
*Neuspořádaný pracovní prostor a neosvětlené plochy mohou být příčinou nehod.*
- b) **Neprovozujte elektrické nářadí ve výbušných prostředích, jako je například prostor s výskytem hořlavých kapalin, plynů nebo prachu.**  
*Při provozu elektrického nářadí vznikají jiskry, které mohou vznítit prach nebo výpary.*
- c) **Zajistěte, aby se při provozu elektrického nářadí nezdržovaly v blízkosti dětí nebo okolostojící osoby.**  
*Odvedení pozornosti může způsobit ztrátu kontroly nad nářadím.*

#### 2) Elektrická bezpečnost

- a) **Zástrčky elektrického nářadí musí odpovídat používané zásuvce.**  
**Nikdy jakýmkoli způsobem neupravujte zástrčku.**  
**Nepoužívejte jakékoli rozvodné zástrčky s uzemněným (ukostřeným) elektrickým nářadím.**  
*Původní neupravené zástrčky a vhodné zásuvky snižují nebezpečí úrazu elektrickým proudem.*
- b) **Vyvarujte se kontaktu s uzemněnými nebo ukostřenými plochami, jako jsou např. trubky, radiátory, sporáky a chladničky.**  
*Vzniká zvýšené nebezpečí úrazu elektrickým proudem, pokud je Vaše tělo uzemněné nebo ukostřené.*
- c) **Nevystavujte elektrické nářadí dešti nebo mokrým podmínkám.**  
*Voda, která vnikne do elektrického nářadí, zvyšuje nebezpečí úrazu elektrickým proudem.*
- d) **Nezacházejte s přívodní šňůrou nevhodným způsobem. Nikdy nepoužívejte přívodní šňůru pro nošení, tahání nebo vypořádání elektrického nářadí.**  
**Zajistěte, aby se přívodní šňůra nedostala do kontaktu se zdroji tepla, olejem, ostrými hranami nebo pohybujícími se částmi.**  
*Poškozené nebo zauzlené přívodní šňůry zvyšují nebezpečí úrazu elektrickým proudem.*
- e) **Při práci s elektrickým nářadím ve vnějších prostorech používejte prodlužovací šňůru vhodnou pro venkovní použití.**  
*Použití přívodní šňůry vhodné pro venkovní prostředí snižuje nebezpečí úrazu elektrickým proudem.*

#### 3) Bezpečnost osob

- a) **Buďte při práci vždy pozorní, sledujte prováděnou práci a během práce s elektrickým nářadím postupujte rozumně.**

**Nepoužívejte elektrické nářadí v případě únavy nebo pod vlivem drog, alkoholu nebo léků.**

*Pouhý okamžik nepozornosti při práci s elektrickým nářadím může způsobit vážné zranění.*

- b) **Používejte ochranné pomůcky. Vždy používejte ochranu zraku.**  
*Ochranné pomůcky, jako jsou protiprachová maska, obuv s neklouzavou úpravou podrážky, ochranná přilba nebo chrániče sluchu použité pro vhodné podmínky sniží nebezpečí zranění.*
  - c) **Zajistěte, aby nedošlo k náhodnému spuštění nářadí. Zabezpečte, aby vypínač byl před zapojením do sítě v poloze vypnut.**  
*Nošení elektrického nářadí s prstem na vypínači a připojování elektrického nářadí s vypínačem v poloze zapnuté může způsobit nehody.*
  - d) **Před zapnutím elektrického nářadí vymontujte všechny seřizovací klíče.**  
*Klíč upevněný na otáčející se části elektrického nářadí může způsobit zranění osob.*
  - e) **Zajistěte náležitou stabilitu při práci. Během práce je třeba vždy zaujmout náležitý a stabilní postoj.**  
*Tím se dosáhne lepšího ovládnutí elektrického nářadí v neočekávaných situacích.*
  - f) **Při práci používejte vhodný oděv. Nepoužívejte volný oděv nebo šperky. Zajistěte, aby se Vaše vlasy, oděv nebo rukavice nedostaly do kontaktu s pohybujícími se částmi nářadí.**  
*Volný oděv, šperky nebo dlouhé vlasy se mohou zachytit do pohybujících se částí.*
  - g) **Pokud se používají zařízení pro připojení odsávání prachu a sběrných zařízení, zajistěte jejich správné zapojení a použití.**  
*Používejte tato zařízení pro snížení nebezpečí, která vznikají v prašném prostředí.*
- 4) Použití a ošetřování elektrického nářadí**
- a) **Netlačte na elektrické nářadí. Pro Váš způsob použití zvolte správné elektrické nářadí.**  
*Správné elektrické nářadí provede práci lépe a bezpečněji rychleji, pro které bylo konstruováno.*
  - b) **Nepoužívejte elektrické nářadí, pokud vypínač není funkční.**  
*Jakékoli elektrické nářadí, které nelze ovládat vypínačem, je nebezpečné a je třeba je opravit.*
  - c) **Při provádění jakýchkoli nastavení, změně příslušenství nebo uskládování elektrického nářadí odpojte vždy zástrčku ze zdroje energie.**  
*Tato preventivní bezpečnostní opatření snižují nebezpečí náhodného uvedení elektrického nářadí do chodu.*
  - d) **Uložte nepoužívané elektrické nářadí mimo dosah dětí a nedovolte, aby osoby, které nejsou seznámeny s provozem elektrického nářadí a s těmito pokyny, toto elektrické nářadí používaly.**  
*Elektrické nářadí je v rukou nevyškoleného uživatele nebezpečné.*
  - e) **Provádějte údržbu elektrického nářadí. Zkontrolujte elektrické nářadí, zda je správně seřizené nebo nedochází k vážnutí chodu pohybujících se částí, zda nejsou nějaké části poškozené a zda nevznikly jakékoli jiné poruchy, které mohou negativně ovlivnit provoz elektrického nářadí.**  
**V případě poškození si nechejte elektrické nářadí před použitím opravit.**



Velký počet nehod je způsobeno nedostatečnou údržbou elektrického nářadí.

**f) Udržujte řezné nástroje ostré a čisté.**

Správným způsobem udržované řezné nástroje s ostrými břity mají menší sklon k uváznutí a snadněji se při práci ovládají.

**g) Používejte elektrické nářadí, příslušenství, nástavce nástroje atd. ve shodě s těmito předpisy a způsobem stanoveným pro jednotlivý typ elektrického nářadí a přitom zohledněte pracovní podmínky a druh prováděné práce.**

Použití elektrického nářadí pro práce odlišné od stanoveného účelu použití může způsobit nebezpečné situace.

**5) Servis**

**a) Nechejte si provádět servis Vašeho elektrického nářadí kvalifikovanými opraváři a přitom použijte jen originální náhradní díly.**

Tím se zajistí zachování bezpečnosti elektrického nářadí.

**PREVENTIVNÍ OPATŘENÍ**

Zajistěte, aby děti a nemocné osoby se nezdržovaly v blízkosti.

Pokud se nářadí nepoužívá, je třeba je uskladnit mimo dosah dětí a nemocných osob.

**BEZPEČNOSTNÍ UPOZORNĚNÍ PŘI POUŽITÍ VRTAČKY**

1. Před započetím prací na stěnách, podlaze nebo stropěch se přesvědčte, že uvnitř se nenachází žádné elektrické kabely nebo vodiče.
2. Použijte pomocné rukojeti dodávané s nářadím. Ztráta kontroly nad nářadím může způsobit zranění.
3. Nepoužívejte rukavice vyrobené z materiálu, který by se mohl smotat, jako například bavlna, vlna, tkanina nebo síťovina, atd.

**TECHNICKÉ ÚDAJE**

Model	D10VJ		D13VH		
Napětí (podle příslušné oblasti)*	(110 V, 220 V, 230 V, 240 V)∩				
Příkon	690 W*				
Změna rychlosti	1	2	1	2	
Rychlost bez zatížení	Chod vpřed	0 – 1000 min <sup>-1</sup>	0 – 3000 min <sup>-1</sup>	0 – 1000 min <sup>-1</sup>	0 – 3000 min <sup>-1</sup>
	Zpětný chod	0 – 600 min <sup>-1</sup>	0 – 1800 min <sup>-1</sup>	0 – 600 min <sup>-1</sup>	0 – 1800 min <sup>-1</sup>
Kapacita	Ocel	10 mm	6 mm	13 mm	8 mm
	Dřevo	25 mm	13 mm	40 mm	25 mm
Hmotnost (bez šňůry)	1,8 kg		1,9 kg		

\* Zkontrolujte, prosíme, štítek na výrobku. Štítek podléhá změnám v závislosti na oblastech použití.

**STANDARDNÍ PŘÍSLUŠENSTVÍ**

- (1) Klíč sklíčidla (jen u sklíčidel na klíč) ..... 1
  - (2) Boční držadlo ..... 1
  - (3) Měřítko hloubky ..... 1
- Standardní příslušenství podléhá změnám bez upozornění.

**POUŽITÍ**

- Vyvrtávání otvorů do kovů, dřeva a plastů.

**PŘED POUŽITÍM**

**1. Zdroj napětí**

Ujistěte se, že používaný zdroj napětí splňuje požadavky specifikované na štítku výrobku.

**2. Spínač**

Ujistěte se, že spínač je v poloze VYPNUTO. Pokud je zástrčka zasunuta v zásuvce elektrického proudu a spínač je v poloze ON, zařízení začne okamžitě pracovat, a to může způsobit vážný úraz.

**3. Prodlužovací kabel**

Pokud je pracoviště vzdáleno od zdroje napájení, použijte prodlužovací kabel o správné tloušťce a kapacitě. Je třeba, aby prodlužovací kabel byl co nejkratší.

**4. Volba správného vrtáku**

- Při vrtání do kovu nebo plastu  
Použijte obyčejný vrták na kov.
- Při vrtání do dřeva  
Použijte obyčejný vrták na dřevo.  
Při vrtání otvorů o průměru 6,5 mm a méně však použijte vrták na kov.

**5. Nasazení a sejmutí vrtáku**

**U sklíčidel na klíč (Obr. 1)**

- (1) Rozevřete čelisti sklíčidla a vložte vrták do sklíčidla.
- (2) Vsuňte klíč sklíčidla do kteréhokoli ze tří otvorů ve sklíčidle a otáčejte jím ve směru otáčení hodinových ručiček (v pohledu zepředu). Pevně sklíčidlo utáhněte.
- (3) Chcete-li vrták vyjmout, vsuňte klíč sklíčidla do jednoho z otvorů ve sklíčidle a otáčejte jím proti směru otáčení hodinových ručiček.

**U sklíčidel bez klíče (Obr. 2, 3)**

- (1) Upevnění vrtáku  
Otočte objímku proti směru hodinových ručiček a otevřete sklíčidlo. Vsuňte vrták do sklíčidla co nejdál a poté chyťte zádržný kroužek a uzavřete sklíčidlo otočením objímky ve směru hodinových ručiček (pohled zepředu).

- (2) Vyjmutí vrtáku  
Chyťte zádržný kroužek a otevřete sklíčidlo otočením objímky proti směru hodinových ručiček (pohled zeepředu).

## POZOR

Nelze-li již objímku více uvolnit, upevněte na zádržný kroužek boční držadlo, pevně boční držadlo uchopte a otáčejte objímku, až půjde povolit rukou (**Obr. 4**).

## 6. Zkontrolujte nastavený směr otáčení (**Obr. 5**)

Vrták se otáčí po směru hodinových ručiček (pohled zezadu), stiskneme-li stranu tlačítka označenou písmenem R.

Po stisknutí strany tlačítka označené písmenem L se vrták otáčí proti směru hodinových ručiček.

(Znaménka (L) a (R) jsou pouze na pouzdrů zařízení.)

## 7. Upevnění bočního držadla (**Obr. 6**)

Přípevněte boční držadlo na úchyt.

Otáčením bočního držadla po směru hodinových ručiček je zajistíte na úchyty.

Nastavte boční držadlo do polohy vhodné k práci a poté pevně utáhněte úchyt bočního držadla.

Chcete-li na boční držadlo připevnit měřítko hloubky, zasuňte měřítko do drážky tvaru U na bočním držadle, nastavte jeho polohu podle požadované hloubky otvoru a pevně utáhněte úchyt bočního držadla (**Obr. 7**).

## 8. Přepínání mezi vysokorychlostním a nízkorychlostním režimem

Před změnou nastavení rychlosti se ujistěte, že spínač je v pozici VYPNUTO a že se vrtačka zcela zastavila.

Rychlost přestavíte otáčením číselníku převodovky ve směru šipky na **Obr. 8**. Číslice „1“ vyražená na plášti vrtačky značí nízkou rychlost a číslice „2“ vysokou rychlost.

Lze-li číselníkem převodovky otáčet jen ztěžka, pootočte sklíčidlo krátce oběma směry a poté otáčejte číselníkem převodovky znovu.

## JAK POUŽÍVAT PŘÍKLEPOVOU VRTAČKU

### 1. Funkce spínače

- Po stisknutí spouští se zařízení otáčí. Po uvolnění spouští se zařízení zastaví.
- Rychlost rotace vrtačky lze ovládat mírou stisknutí spoušti. Při malém stisknutí spouští je rychlost nízká a zvyšuje se při silnějším stisknutí spoušti.
- Požadovanou rychlost otáčení lze předvolit číselníkem nastavovanými rychlosti. Při otáčení číselníku rychlosti po směru hodinových ručiček se rychlost zvyšuje a při otáčení proti směru hodinových ručiček se rychlost snižuje (**Obr. 9**).
- Při stisknutí spouští a následném stisknutí zářazky zůstane zařízení v režimu zapnuto, což je výhodné pro déletrvajících práci. Při vypínání je možno zářazku vypnout opětovným stiskem spoušti.

## POZOR

Je-li tlačítko nastaveno do polohy L pro opačný směr otáčení vrtačky, nelze zářazku použít.

### 2. Vrtání

- Při vrtání spouštějte vrtačku pomalu a postupně za chodu rychlost zvyšujte.
- Vždy vyvíjejte tlak přímo v ose vrtáku. Používejte dostatečný tlak k vrtání, avšak ne natolik, aby motor přestal pracovat nebo aby došlo k vychýlení vrtáku.
- Snižte-li přítlak při závěrečné fázi vrtání otvoru, omezíte zasekávání motoru a riziko prolomení materiálu.

- Pokud se vrtačka zasekne, uvolněte okamžitě spoušť, vyjměte vrták z díla a začněte znovu. Nesnažte se uvést zaseknutou vrtačku do chodu opakovanými stisky spoušti. To může vrtačku poškodit.
- Čím větší bude průměr vrtáku, tím větší bude odporová síla působící na vaši paži. Dbejte na to, abyste působením této odporové síly neztratili kontrolu nad vrtačkou. Chcete-li si udržet pevnou kontrolu nad vrtačkou, zaujměte stabilní postavení, používejte boční držadlo, držte vrtačku pevně v obou rukách a dbejte na to, aby byla vrtačka v poloze kolmé k vrtanému materiálu.

## ÚDRŽBA A KONTROLA

### 1. Kontrola vrtáků

Používání opotřebených vrtáků způsobuje špatnou funkci motoru a snižuje účinnost. Proto zjistěte-li opotřebení vrtáků, vyměňte je neprodlené za nové nebo nabroušené.

### 2. Kontrola šroubů

Pravidelně zkontrolujte všechny šrouby a ujistěte se, že jsou správně utažené. Pokud najdete některé šrouby uvolněné, ihned je utáhněte. Neutažené šrouby mohou vést k vážnému riziku.

### 3. Údržba motoru

Vinutí motoru je srdce zařízení. Ujistěte se, že vinutí není poškozené nebo vlhké vodou nebo olejem.

### 4. Kontrola uhlíkových kartáčků

V zájmu zachování bezpečnosti a ochrany před úrazem elektrickým proudem by kontrola a výměna uhlíkových kartáčků tohoto zařízení mělo provádět POUZE Autorizované servisní středisko Hitachi.

### 5. Výměna napájecího kabelu

Pokud bude napájecí kabel nástroje poškozen, musíte nástroj odevzdat k výměně do autorizovaného servisního střediska HITACHI.

### 6. Seznam servisních položek

- A: Číslo položky
- B: Kód položky
- C: Číslo použití
- D: Poznámky

## POZOR

Opravy, modifikace a kontroly zařízení Hitachi musí provádět Autorizované servisní středisko Hitachi.

Tento seznam servisních položek bude užitečný, předložíte-li jej s vaším zařízením Autorizovanému servisnímu středisku Hitachi společně s požadavkem na opravu nebo další servis. Při obsluze a údržbě elektrických zařízení musí být dodržovány bezpečnostní předpisy a normy platné v každé zemi, kde je výrobek používán.

## MODIFIKACE

Výrobky firmy Hitachi jsou neustále zdokonalovány a modifikovány tak, aby se zavedly nejposlednější výsledky výzkumu a vývoje.

Následně, některé díly (např. čísla kódů nebo návrh) mohou být změněny bez předešlého oznámení.

## POZNÁMKA

Z důvodu stále pokračujícího výzkumného a vývojového programu HITACHI mohou zde uvedené parametry podléhat změnám bez předchozího upozornění.

---

---

**Informace o hluku a vibracích**

Měřené hodnoty byly určeny podle EN60745 a deklarovány ve shodě s ISO 4871.

Typická vážená úroveň hladiny akustického tlaku: 80 dB (A).  
Neurčitost KpA: 3 dB (A).

Použijte ochranu sluchu.

Typická vážená střední hodnota zrychlení nepřesahuje 2,5 m/s<sup>2</sup>.

---

---

## GENEL GÜVENLİK KURALLARI

### DİKKAT!

#### Bütün talimatları okuyun

Aşağıda belirtilen talimatların tümünün uygulamaması, elektrik çarpması, yangın ve/veya ciddi yaralanmalara sonuçlanabilir.

Aşağıdaki uyarılarda belirtilen "Elektrikli alet" terimi, işletilen (kablolu) veya (kablesiz) ana elektrik aletlerini kapsar.

### BU TALİMATLARI SAKLAYINIZ

#### 1) Çalışma ortamı

- a) Çalışma ortamı temiz ve iyi ışıklandırılmış olmalıdır.

*Dağınık ve karanlık ortamlar kazanın davetçisidir.*

- b) Yanıcı sıvıların, gazların veya tozların bulunduğu patlayıcı ortamlarda elektrikli aletlerle çalışmayınız.

*Elektrikli aletler kıvılcım sıçratabilir ve de gaz tozların ateşleyebilir.*

- c) Elektrikli alet kullanırken çocuklardan ve seyircilerden uzak tutun.

*Dikkat dağıtıcı şeyler kontrolü kaybetmenize yol açabilir.*

#### 2) Elektrik güvenliği

- a) Elektrikli aletin fişi prize uygun olmalıdır.

*Fişi hiçbir şekilde değiştirmeye çalışmayın.*

*Elektrikli aletin topraklanmış fişinde herhangi bir adaptör kullanmayın.*

*Değiştirilmemiş fişler ve onlarla uygun prizler elektrik çarpması riskini azaltır.*

- b) Boru, radyatör, ocak/fırın ve buzdolabı gibi topraklamış yüzeylerle vücut temasından sakının.

*Vücutünüzün toprakla temasa geçmesi elektrik çarpması riskini artırır.*

- c) Elektrikli aletleri yağmur veya ıslak ortamlara maruz bırakmayın.

*Elektrikli aletin içersine su girmesi elektrik çarpması riskini artırır.*

- d) Güç kablosuna zarar vermeyin. Elektrikli aleti taşımak, çekmek veya prizden çıkarmak için kabloyu kullanmayın.

*Kabloyu kesici veya hareketli parçalardan, sıcak yüzeylerden ve yağdan uzak tutun.*

*Hasar görmüş veya dolaşmış kablolar elektrik çarpması riskini artırır.*

- e) Elektrikli aleti açık alanlarda kullanırken, açık alana özel uzatma kablosu kullanın.

*Açık alana özel kablolar elektrik çarpması riskini azaltır.*

#### 3) Kişisel güvenlik

- a) Daima tetikte olun, elektrikli aleti kullanırken ne yaptığının farkında ve duyarlı olun.

*Elektrikli aleti alkol, ilaç veya uyuşturucu etkisi altındayken veya yorgunken çalıştırmayın.*

*Elektrikli aleti kullanırken gösterilecek bir sanayelik dikkatsizlik, ciddi yaralanmalara yol açabilir.*

- b) Koruyucu ekipman kullanın. Daima koruyucu gözlük takın.

*Toz maskesi, kaymayan emniyet ayakkabısı, sert başlık veya işitme koruyucusu gibi koşullara uygun olan ve yaralanma riskini azaltıcı koruyucu ekipmanlar kullanın.*

- c) Aletin istem dışı çalışmasına karşın önlem alın. Prize takmadan önce şalter düğmesinin kapalı konumunda olduğundan emin olun.

*Elektrikli aleti parmağınız şalter üzerinde olduğu halde taşımak veya prize takmak kazanın davetçisidir.*

- d) Elektrikli aleti çalıştırmadan önce ayar anahtarlarını çıkartın.

*Elektrikli aletin dönen kısmına takılı kalmış olan bir anahtar, yaralanmalara yol açabilir.*

- e) Fazla uzanmayın. Ayaklarınızın konumuna ve dengeye her zaman dikkat edin.

*Böylece beklenmedik bir durumla karşılaştığınızda, elektrikli aleti daha iyi kontrol altında tutmanızı sağlar.*

- f) Uygun çalışma giysisi giyin. Bol giysiler ve takılardan kaçının. Saçınızı, giysilerinizi ve eldiveninizi hareketli parçalardan uzak tutun.

*Bol giysiler, takılar veya uzun saç oynayan parçalara takılabilir.*

- g) Toz toplama bağlantısı için gerekli teçhizat ve bağlantı araçları sağlanmışsa, bunların bağlı olduğundan ve doğru şekilde kullanıldığından emin olun.

*Bu teçhizatların kullanılması tozun yaratacağı tehlikeleri azaltacaktır.*

#### 4) Elektrikli aletin kullanımı ve bakımı

- a) Elektrikli aleti zorlamayın. Yapacağınız işe uygun doğru aleti kullanın.

*Doğru elektrikli aletin kullanılması işinizi hem kolaylaştıracağı gibi hem de tasarlanmış süratte daha güvenli bir şekilde yapmanızı sağlar.*

- b) Eğer elektrikli aletin şalter düğmesi açılıp kapanmıyorsa, aleti kullanmayın.

*Şalter düğmesinden kumanda edilemeyen elektrikli aletler tehlike yaratır ve tamir edilmeleri gerekir.*

- c) Aksesuar değişimlerinde, ayarlamalar sırasında veya elektrikli aleti saklamadan önce elektrik bağlantısını kesin.

*Bu gibi önleyici emniyet tedbirleri elektrikli aletin istem dışı çalışması riskini azaltır.*

- d) Kullanılmayan elektrikli aletleri çocukların ulaşamayacağı yerlerde tutun. Aleti kullanmasını bilmeyen ve bu talimatlara aşina olmayan kişilere kullanırmayın.

*Elektrikli aletler deneyimsiz ve eğitilmemiş kişilerin eline tehlikeli olur.*

- e) Elektrikli aletin bakımını yapın. Hareketli parçaların yapışmamasını, kırık olmasını, düzenli hizalanmasını veya aletin işletimini etkileyecek herhangi bir durumun olmadığını kontrol edin.

*Çoğu kazaya yetersiz bakımli elektrikli aletleri neden olur.*

- f) Aletlerinizi keskin ve temiz tutun.

*Düzenli bakımı yapılmış keskin uçlu takımların yapışma ihtimali azdır ve de kontrol edilmeleri daha kolaylaşır.*

- g) Elektrikli aleti, aksesuarları ve uçları vs. bu talimatlar doğrultusunda ve o elektrikli aletin amaçlanan kullanımı için, çalışma koşullarını ve de yapılacak işi göz önüne alarak kullanın.

*Elektrikli aletin amaçlanan kullanımı dışında kullanılması tehlikeli bir durum yaratabilir.*

## 5) Servis

- a) Elektrikli aleti vasıflı bir kişi tarafından sadece özdeş yedek parçalar kullanarak tamir edilmesini sağlayın.  
Böylece elektrikli aletin güvenli kullanımı sağlanacaktır.

## ÖNLEM

Çocukları ve diğer yeterli güce sahip olmayan kişileri uzak tutun.

Kullanılmadığı zamanlarda aleti çocuk ve yeterli güce sahip olmayan kişilerin ulaşamayacağı bir yerde saklayın.

## ÖZELLİKLER

Model	D10VJ		D13VH		
Volтаж (alanlara göre)*	(110V, 220V, 230V, 240V)∩				
Güç girişi	690 W*				
Hız değiştirme	1	2	1	2	
Yüksüz hız	İleri devir	0 – 1000 dak <sup>-1</sup>	0 – 3000 dak <sup>-1</sup>	0 – 1000 dak <sup>-1</sup>	0 – 3000 dak <sup>-1</sup>
	Ters devir	0 – 600 dak <sup>-1</sup>	0 – 1800 dak <sup>-1</sup>	0 – 600 dak <sup>-1</sup>	0 – 1800 dak <sup>-1</sup>
Kapasite	Çelik	10 mm	6 mm	13 mm	8 mm
	Tahta	25 mm	13 mm	40 mm	25 mm
Ağırlık (kablolu)	1,8 kg		1,9 kg		

\* Bölgelere göre değişiklik gösterdiğinden ürün üzerindeki etiketi kontrol edin.

## STANDART AKSESUARLAR

- (1) Mandren Anahtarı (Yalnızca anahtarlı mandren için) ... 1  
(2) Yan kol ..... 1  
(3) Derinlik ölçme aleti ..... 1  
Standart aksesuarlarda haber verilmeksizin değişiklik yapılabilir.

## UYGULAMALAR

- Metal, tahta ve plastik malzemelerde delik açma.

## İŞLEMEN ÖNCE

## 1. Güç kaynağı

Kullanılacak güç kaynağının ürün etiketinde belirtilen güç şartlarına uygun olduğundan emin olun.

## 2. Güç anahtarı

Güç anahtarının KAPALI konumunda olduğundan emin olun. Güç anahtarı AÇIK konumundayken fiş prize takıldığında takım hemen çalışmaya başlar ve ciddi kazalara neden olabilir.

## 3. Uzatma kablosu

Çalışma alanı güç kaynağından uzak olduunda yeterli kalınlık ve kapasitede bir uzatma kablosu kullanın. Uzatma kablosu mümkün olduğunca kısa tutulmalıdır.

## 4. Uygun matkap ucunu seçme

- Metal ya da plastik delerken  
Metal ileri için kullanılan normal matkap ucu kullanın.  
 Tahta delerken  
Tahta işleri için kullanılan normal matkap ucu kullanın.  
Ancak, 6,5 mm ya da bundan daha küçük çapta delikler delerken metal işleri için kullanılan bir matkap ucu kullanın.

## MATKABIN KULLANIMIYLA İLGİLİ ÖNLEMLER

- Duvarlar, tavanlar ya da zeminler üzerinde delme işi yapmadan önce deldiğiniz yerin arkasında elektrik kablosu olmadığından emin olun.
- Aletle gelen yardımcı kolları kullanın. Kontrolünü kaybedilmesi bireysel yaralanmaya yol açabilir.
- Pamuklu, yün, kumaş veya ipikli gibi kayabilecek malzemeden yapılmış eldivenler takmayın.

## 5. Matkap ucunun takılması ve sökülmesi

## Anahtarlı mandren için (Şekil. 1)

- Mandren azn açın ve matkap ucunu mandrenin içine yerleştirin.
- Mandren anahtarını mandrendeki delinin her birine yerletin ve saat yönünde çevirin (önden görünüm). İyice sıkın.
- Matkap ucunu sökmek için mandren anahtarını mandrendeki deliklerden birine takın ve saatin ters yönünde çevirin.

## Anahtarsız mandren için (Şekil. 2, 3)

- Matkap ucunu takma  
Manşonu saatin ters yönünde çevirin ve mandreni açın. Matkap ucunu mandrenin içine iyice girecek şekilde yerleştirdikten sonra tutucu halkayı tutun ve manşonu önden görüldüğü şekilde saat yönünde çevirerek mandreni kapatın.
- Matkap ucunu sökme  
Tutucu halkayı tutun ve manşonu saatin ters yönünde çevirerek mandreni açın.

## NOT

Manşon daha fazla gevşemediğinden yan kolu, tutucu halkaya sabitleyin, kolu sıkıca tutun ve elle gevşetmek için manşonu çevirin (Şekil. 4).

## 6. Dönme yönünün kontrol edilmesi (Şekil. 5)

İtme düğmesinin R tarafına basıldığında matkap ucu saat yönünde döner (yandan bakıldığında). İtme düğmesinin L tarafına basıldığında matkap ucu saat yönünün tersine döner.  
(L) ve (R) işaretleri matkap gövdesinde yer alır.)

## 7. Yan kolu takma (Şekil. 6)

Yan kolu montaj parçasına takın.  
Kolu sıkıkmak için saat yönünde çevirin.

Yan kolu yapılacak işleme uygun bir konuma ayarlayın ve iyice sıkın.

Derinlik ölçme aletini yan kola takmak için aleti yan kolda bulunan U şeklindeki oluğa yerleştirin, istenen delik derinliğine göre aleti ayarlayın ve yan kolu iyice sıkın (**Şekil. 7**).

## 8. Yüksek hız/Düşük hız değişikliği

Hızı değiştirmeden önce, anahtarın KAPALI konumda olduğundan ve matkabın tam olarak durduğundan emin olun.

Hızı değiştirmek için vites düğmesini **Şekil. 8**'da görülen ok yönünde çevirin. Matkabın üzerinde girintili olarak yazılmış "1" sayısı düşük hızı, "2" sayısı ise yüksek hızı ifade eder.

Vites deitirme dmesi zor dönüyorsa mandreni sağa ya da sola hafifçe çevirip vites deitirme dmesini tekrar çevirin.

## KULLANIM

### 1. Düğmelerin kullanımı

- Tetiğe basıldığında takım dönmeye başlar. Tetik bırakıldığında takımın dönməsi durur.
- Matkabın dönme hızı tetiğe basma şiddetiyle kontrol edilebilir. Tetiğe hafif basıldığında hız düşük, sert basıldığında ise yüksek olur.
- İstenilen dönme hızı hız kontrol düğmesi yardımıyla önceden seçilebilir. Daha yüksek hızlar için hız kontrol düğmesini saat yönünde, daha düşük hızlar için ise saat yönünün tersine çevirin (**Şekil. 9**).
- Tetiğe ve derinlik mesnedine aynı anda bastığınızda açık konumu korunur. Sürekli çalışma için bu konum uygundur. Kapatırken tetiğe basmak suretiyle derinlik mesnedi çıkartılabilir.

### DİKKAT

Matkap ucunun dönme yönünü değiştirmek için itme düğmesinin L tarafına basılırsa derinlik mesnedi kullanılamaz.

### 2. Delme

- Delme işlemi yaparken matkabı yavaşça altrn ve hızı giderek artırın.
- Her zaman matkap ucuyla aynı eksen üzerinde baskı uygulayın. Delme işlemine yetecek oranda baskı uygulayın, motoru durduracak ya da matkap ucunu zedeleyecek kadar çok itmeyin.
- Motorun durmasını ya da malzemenin kırılmasını engellemek için matkaba uyguladığınız baskıyı azaltın ve deliğin son kısmında matkap ucunu zorlamayın.
- Matkap durursa tetiği hemen bırakın, matkap ucunu delikten çıkartın ve işe yeniden başlayın. Duran motoru çalıştırmak için tetiğe basıp bırakmayın. Bu, matkaba zarar verebilir.
- Matkap ucunun çapı büyüdükçe kolunuza binen yük de artar. Bu yükten dolayı matkabın kontrolünü kaybetmemeye dikkat edin.

Matkabı sıkı tutabilmek için ayaklarınızı yere sağlam basın, yan kolu kullanın, matkabı iki elinizce sıkıca tutun ve matkabın delinen malzemeye dik olduğundan emin olun.

## BAKIM VE GÖZDEN GEÇİRME

### 1. Matkap uçlarının gözden geçirilmesi

Aşınmış matkap uçlarının kullanılması motorun zarar görmesine ve verimin azalmasına neden olacağından matkap uçlarını yenileriyle değiştirin ya da aşınmayı fark ettiğinizde gecikmeden uçları keskinleştirin.

### 2. Montaj vidalarını gözden geçirilmesi

Tüm montaj vidalarını düzenli olarak kontrol edin ve gerekli sıklıkta olduklarından emin olun. Vidalardan herhangi biri gevşek ise hemen sıkın. Bunu yapmadığınız takdirde ciddi hasarlar meydana gelebilir.

### 3. Motorun bakımı

Dönme hareketini sağlayan motor, takımın "bel kemiğidir". Motorun hasar görmesini ve/veya yağ ya da su ile ıslanmasını önlemek için gerekli bakımı yapın.

### 4. Karbon fırçalarını gözden geçirilmesi

Güvenliğinizi sağlamak için ve elektrik şokuna karşı koruma sağlamak amacıyla bu takım üzerindeki karbon fırçaların gözden geçirilmesi ve değiştirilmesi YALNIZCA Hitachi yetkili Servis Merkezi tarafından yapılmalıdır.

### 5. Güç kablosunun değişimi

Eğer cihazın güç kablosu hasarlı ise, güç kablosu değişimi için cihaz Hitachi Yetkili Servis Merkezine geri gönderilmelidir.

### 6. Servis parçaları listesi

- A: Parça no.
- B: Kod no.
- C: Kullanılan sayı
- D: Açıklamalar

### DİKKAT

Hitachi Güç Takımlarının onarımı, modifikasyonu ve gözden geçirilmesi Hitachi yetkili Servis Merkezi tarafından yapılmalıdır.

Hitachi yetkili Servis Merkezine tamir ya da bakım amacıyla başvurulduğunda Parça Listesinin takım ile birlikte verilmesi faydalı olacaktır.

Güç takımlarının çalıştırılması ve bakımlarının yapılması esnasında her ülke için belirtilen güvenlik düzenlemelerine ve standartlarına uyulması gerekmektedir.

### DEĞİŞİKLİKLER

Hitachi Ağır İş Aletleri en son teknolojik ilerlemelere uygun olarak sürekli değiştirilmekte ve geliştirilmektedir. Dolayısıyla, bazı kısımlarda (örneğin kod numaraları ve/veya tasarım gibi) önceden bildirimde bulunulmadan değişiklik yapılabilir.

### NOT

HITACHI'nin sürdürdüğü araştırma ve geliştirme programının bir parçası olarak burada belirtilen özellikler önceden haber verilmeksizin değiştirilebilir.

### Havadan yayılan gürültü ve titreşimle ilgili bilgiler

Ölçülen değerlerin EN60745 ve ISO 4871'e uygun olduğu tespit edilmiştir.

Tipik A ağırlıklı ses basınç seviyesi: 80 dB (A).

Belirsiz KpA: 3 dB (A).

Kulak koruyucusu kullanın.

Tipik ağırlıklı ortalama karekök ivme değeri: 2,5 m/s<sup>2</sup>.

## ОБЩИЕ ПРАВИЛА ПО ТЕХНИКЕ БЕЗОПАСНОСТИ

### ПРЕДУПРЕЖДЕНИЕ!

#### Прочтите руководство по эксплуатации

Невыполнение всех приведенных ниже положений данного руководства может привести к поражению электрическим током, пожару и/или к серьезной травме.

Термин "электроинструмент" в контексте всех приведенных ниже мер предосторожности относится к эксплуатируемому Вами электроинструменту с питанием от сетевой розетки (с сетевым шнуром) или электроинструменту с питанием от аккумуляторной батареи (беспроводному).

### СОХРАНИТЕ ДАННОЕ РУКОВОДСТВО

#### 1) Рабочее место

- a) **Поддерживайте чистоту и хорошее освещение на рабочем месте.**

Беспорядок и плохое освещение на рабочих местах приводит к несчастным случаям.

- b) **Не используйте электроинструменты во взрывоопасных окружающих условиях, например, в непосредственной близости от огнеопасных жидкостей, горючих газов или легковоспламеняющейся пыли.**

Электроинструменты порождают искры, которые могут воспламенить пыль или испарения.

- c) **Держите детей и наблюдателей на безопасном расстоянии во время эксплуатации электроинструмента.**

Отвлечение внимания может стать для Вас причиной потери управления.

#### 2) Электробезопасность

- a) **Штепсельные вилки электроинструментов должны соответствовать сетевой розетке.**

Никогда не модифицируйте штепсельную вилку никоим образом.

Не используйте никакие адаптерные переходники с заземленными (замкнутыми на землю) электроинструментами.

Немодифицированные штепсельные вилки и соответствующие им сетевые розетки уменьшат опасность поражения электрическим током.

- b) **Не прикасайтесь телом к заземленным поверхностям, например, к трубопроводам, радиаторам, кухонным плитам и холодильникам.**

Если Ваше тело соприкоснется с заземленными поверхностями, возрастет опасность поражения электрическим током.

- c) **Не подвергайте электроинструменты воздействию дождя или влаги.**

При попадании воды в электроинструмент возрастет опасность поражения электрическим током.

- d) **Правильно обращайтесь со шнуром. Никогда не переносите электроинструмент, взявшись за шнур, не тяните за шнур, и не дергайте за шнур с целью отсоединения электроинструмента от сетевой розетки. Располагайте шнур подальше от источников тепла, нефтепродуктов, предметов с острыми кромками и движущихся деталей.**

Поврежденные или запутанные шнуры увеличивают опасность поражения электрическим током.

- e) **При эксплуатации электроинструмента вне помещений, используйте удлинительный шнур, предназначенный для использования вне помещения.**

Использование шнура, предназначенного для работы вне помещений, уменьшит опасность поражения электрическим током.

#### 3) Личная безопасность

- a) **Будьте готовы к неожиданным ситуациям, внимательно следите за своими действиями и руководствуйтесь здравым смыслом при эксплуатации электроинструмента.**

Не используйте электроинструмент, когда Вы устали или находитесь под влиянием наркотиков, алкоголя или лекарственных препаратов.

Мгновенная потеря внимания во время эксплуатации электроинструментов может привести к серьезной травме.

- b) **Используйте защитное снаряжение. Всегда надевайте средство защиты глаз.**

Защитное снаряжение, например, противопожарный респиратор, защитная обувь с нескользкой подошвой, защитный шлем-каска или средства защиты органов слуха, используемые для соответствующих условий, уменьшат травмы.

- c) **Избегайте непреднамеренного включения двигателя. Убедитесь в том, что выключатель находится в положении выключения перед подсоединением к сетевой розетке.**

Переноска электроинструментов, когда Вы держите палец на выключателе, или подсоединение электроинструментов к сетевой розетке, когда выключатель будет находиться в положении включения, приводит к несчастным случаям.

- d) **Снимите все регулировочные или гаечные ключи перед включением электроинструмента.**

Гаечный или регулировочный ключ, оставленный прикрепленным к вращающейся детали электроинструмента может привести к получению личной травмы.

- e) **Не теряйте устойчивость. Все время имейте надежную точку опоры и сохраняйте равновесие.**

Это поможет лучше управлять электроинструментом в непредвиденных ситуациях.

- f) **Одевайтесь надлежащим образом. Не надевайте просторную одежду или ювелирные изделия. Держите волосы, одежду и перчатки как можно дальше от движущихся частей.**

Просторная одежда, ювелирные изделия или длинные волосы могут попасть в движущиеся части.

- g) **Если предусмотрены устройства для присоединения приспособлений для отвода и сбора пыли, убедитесь в том, что они присоединены и используются надлежащим образом.**

Использование данных устройств может уменьшить опасности, связанные с пылью.

#### 4) Эксплуатация и обслуживание электроинструментов

##### а) Не перегружайте электроинструмент. Используйте надлежащий для Вашего применения электроинструмент.

Надлежащий электроинструмент будет выполнять работу лучше и надежнее в том режиме работы, на который он рассчитан.

##### б) Не используйте электроинструмент с неисправным выключателем, если с его помощью нельзя будет включить и выключить электроинструмент.

Каждый электроинструмент, которым нельзя управлять с помощью выключателя, будет представлять опасность и его будет необходимо отремонтировать.

##### в) Отсоедините штепсельную вилку от источника питания перед началом выполнения какой-либо из регулировок, перед сменой принадлежностей или хранением электроинструментов.

Такие профилактические меры безопасности уменьшат опасность непреднамеренного включения двигателя электроинструмента.

##### г) Храните неиспользуемые электроинструменты в недоступном для детей месте, и не разрешайте людям, не знающим как обращаться с электроинструментом или не изучившим данное руководство, работать с электроинструментом.

Электроинструменты представляют опасность в руках неподготовленных пользователей.

##### е) Содержите электроинструменты в исправности. Проверьте, нет ли несоосности или заедания движущихся частей, повреждения деталей или какого-либо другого обстоятельства, которое может повлиять на функционирование электроинструментов.

При наличии повреждения, отремонтируйте электроинструмент перед его эксплуатацией.

Большое количество несчастных случаев связано с плохим обслуживанием электроинструментов.

##### ф) Содержите режущие инструменты остро заточенными и чистыми.

Содержащиеся в исправности надлежащим образом режущие инструменты с острыми режущими кромками будут меньше заедать, и будут легче в управлении.

##### г) Используйте электроинструмент, принадлежности, насадки и т.п., в соответствии с данным руководством и определенным типом электроинструмента для выполнения работы по его прямому назначению, принимая во внимание условия и объем выполняемой работы.

Использование электроинструмента для выполнения работ не по прямому назначению может привести к опасной ситуации.

#### 5) Обслуживание

##### а) Обслуживание Вашего электроинструмента должно выполняться квалифицированным представителем ремонтной службы с использованием только идентичных запасных частей.

Это обеспечит сохранность и безопасность электроинструмента.

#### МЕРА ПРЕДОСТОРОЖНОСТИ

Держите подальше от детей и слабых людей.

Если инструменты не используются, их следует хранить в недоступном для детей и слабых людей месте.

#### МЕРЫ ПРЕДОСТОРОЖНОСТИ ПРИ ЭКСПЛУАТАЦИИ ЭЛЕКТРОДРЕЛИ

1. Перед тем, как сверлить стены, потолки или полы, убедитесь в отсутствии скрытых в них электрических проводов.
2. Используйте дополнительные рукоятки, поставляемые вместе с инструментом. Потеря контроля может привести к травме.
3. Не надевайте перчатки, сделанные из скатывающегося материала, например, хлопка, шерсти, байки или нитяные перчатки и т.п.

## ХАРАКТЕРИСТИКИ

Модель	D10VJ		D13VH		
Напряжение (по регионам)*	(110 В, 220 В, 230 В, 240 В) ∩				
Потребляемая мощность	690 Вт*				
Изменение скорости	1	2	1	2	
Скорость без нагрузки	Вращение вперед	0 – 1000 об. мин. <sup>-1</sup>	0 – 3000 об. мин. <sup>-1</sup>	0 – 1000 об. мин. <sup>-1</sup>	0 – 3000 об. мин. <sup>-1</sup>
	Вращение назад	0 – 600 об. мин. <sup>-1</sup>	0 – 1800 об. мин. <sup>-1</sup>	0 – 600 об. мин. <sup>-1</sup>	0 – 1800 об. мин. <sup>-1</sup>
Мощность	Сталь	10 мм	6 мм	13 мм	8 мм
	Дерево	25 мм	13 мм	40 мм	25 мм
Масса (без шнура)	1,8 кг		1,9 кг		

\*Обязательно проверьте паспортную табличку на изделии, поскольку для разных регионов оно различно.



## СТАНДАРТНЫЕ ПРИНАДЛЕЖНОСТИ

- (1) Ключ патрона (указ. только для патрона с ключом) .... 1  
 (2) Боковая рукоятка ..... 1  
 (3) Ограничитель глубины ..... 1  
 Стандартные принадлежности могут изменяться без уведомления.

## ОБЛАСТЬ ПРИМЕНЕНИЯ

- Сверление отверстий в металлах, дереве и пластмассе.

## ПОДГОТОВКА К ЭКСПЛУАТАЦИИ

### 1. Источник электропитания

Проследите за тем, чтобы используемый источник электропитания соответствовал требованиям к источнику электропитания, указанному на паспортной табличке изделия.

### 2. Переключатель питания

Убедитесь в том, что переключатель питания находится в положении OFF (ВЫКЛ.). Если вставить штепсель в розетку, когда переключатель питания находится в положении ON (ВКЛ.), инструмент сразу начнет работать, что может стать причиной серьезной травмы.

### 3. Удлинитель

Когда рабочая область удалена от источника питания, пользуйтесь удлинителем достаточной площади поперечного сечения и номинальной нагрузки. Удлинитель должен быть как можно более коротким.

### 4. Выбор подходящего сверла

- При сверлении металла или пластмассы  
Используйте обычное сверло для работ по металлу.
- При сверлении дерева  
Используйте обычное сверло для работ по дереву. Однако при сверлении отверстий диаметром 6,5 мм или менее используйте сверло для работ по металлу.

### 5. Установка и снятие сверла

#### Для патрона с ключом (Рис. 1)

- (1) Раскройте губки патрона и вставьте сверло в патрон.
- (2) Вставьте ключ патрона в каждое из трех отверстий патрона и поверните его по часовой стрелке (если смотреть спереди). Туго затяните его.
- (3) Чтобы вынуть сверло, вставьте ключ патрона в каждое из трех отверстий патрона и поверните его против часовой стрелки.

#### Для патрона без ключа (Рис. 2, 3)

- (1) Как установить сверло  
Поверните гильзу против часовой стрелки и разожмите патрон. Вставив сверло в патрон до отказа, закрепите фиксирующее кольцо и зажмите патрон, повернув гильзу по часовой стрелке, если смотреть спереди.
- (2) Как вынуть сверло  
Закрепите фиксирующее кольцо и разожмите патрон, повернув гильзу против часовой стрелки.

## ПРИМЕЧАНИЕ

Если ослабить гильзу больше не удастся, прикрепите к фиксирующему кольцу боковую рукоятку, а затем, крепко держа боковую рукоятку, поверните и ослабьте гильзу вручную (Рис. 4).

### 6. Проверьте направление вращения (Рис. 5)

Сверло вращается по часовой стрелке (если смотреть сзади), когда кнопка нажата с правой стороны (R). Чтобы сверло вращалось против часовой стрелки, кнопку следует нажать с левой стороны (L). (Знаки (L) и (R) нанесены на корпус.)

### 7. Как закрепить боковую рукоятку (Рис. 6)

Присоедините боковую рукоятку к крепежной детали. Чтобы закрепить боковую рукоятку, вращайте зажим боковой рукоятки по часовой стрелке. Установите боковую рукоятку, чтобы она была удобна в работе, а затем надежно затяните зажим боковой рукоятки.

Чтобы закрепить на боковой рукоятке ограничитель глубины, вставьте ограничитель глубины в П-образный паз боковой рукоятки, отрегулируйте положение ограничителя глубины в соответствии с необходимой глубиной отверстия и туго затяните зажим боковой рукоятки (Рис. 7).

### 8. Переключение высокой/низкой скорости

Перед изменением скорости убедитесь, что переключатель переведен в положение OFF (ВЫКЛ.) и что дрель полностью остановилась.

Чтобы изменить скорость, поверните диск переключения передачи, как показано на Рис. 8. Число "1", нанесенное на корпус дрели, означает низкую скорость, а число "2" означает высокую скорость.

Если поворачивать диск переключения передачи тяжело, слегка прокрутите патрон в каком-либо направлении, а затем снова поверните диск переключения передачи.

## КАК ПОЛЬЗОВАТЬСЯ

### 1. Работа переключателя

- При нажатой пусковой кнопке инструмент вращается. При отпущенной пусковой кнопке инструмент останавливается.
- Скорость вращения сверла можно изменять мерой нажатия пусковой кнопки. При слабо нажатой пусковой кнопке скорость низкая, а при более сильном нажатии пусковой кнопки скорость увеличивается.
- Нужную скорость вращения можно заранее выбрать с помощью диска регулирования скорости. Для увеличения скорости поворачивайте диск регулирования по часовой стрелке, а для уменьшения скорости – против часовой стрелки (Рис. 9).
- Нажав стопор при нажатой пусковой кнопке, можно зафиксировать включенное состояние, удобное при непрерывной работе. При выключении стопор можно отключить, повторно нажав пусковую кнопку.

### ПРЕДОСТЕРЕЖЕНИЕ

Если кнопка нажата с левой стороны (L), воспользоваться стопором нельзя.

### 2. Сверление

- Запускайте дрель медленно, постепенно при сверлении наращивая скорость.

- Направляйте усилие всегда по одной линии со сверлом. Прикладывайте давление, достаточное, чтобы продолжать сверлить, но не нажимайте настолько, чтобы остановить двигатель или выгнуть сверло.
- Чтобы минимизировать остановки и торможение в материале, уменьшите давление на дрель и легко проведите сверло через последнюю часть отверстия.
- Если дрель остановится, сразу же отпустите пусковую кнопку, выньте сверло из заготовки и начните снова. Не нажимайте пусковую кнопку в попытке снова запустить остановившуюся дрель. Это может привести к выходу дрели из строя.
- Чем больше диаметр сверла, тем сильнее будет отдача в руку.  
Будьте осторожны, чтобы из-за этой отдачи не потерять контроль над дрелью.  
Чтобы сохранить контроль, станьте в хорошую стойку, используйте боковую рукоятку, прочно держите дрель обеими руками и убедитесь, что сверло перпендикулярно к материалу, в котором надо сверлить отверстие.

## ОБСЛУЖИВАНИЕ И ПРОВЕРКА

### 1. Проверка сверла

Поскольку использование стертого сверла приводит к неисправности двигателя и снижению эффективности, при выявлении стирания немедленно замените или заточите сверло.

### 2. Проверка крепежных винтов

Регулярно проверяйте все крепежные винты и старайтесь, чтобы они были хорошо затянуты. При ослаблении какого-либо винта немедленно затяните его. Если этого не сделать, может возникнуть серьезная опасность.

### 3. Обслуживание двигателя

Обмотка блока двигателя – это самое "сердце" инструмента. Выполняйте необходимый уход, чтобы обмотка не повредилась, не намокла в воде или масле.

### 4. Проверка угольных щеток

Чтобы обеспечить Вашу безопасность и защитить от поражения электрическим током, осмотр и замену угольных щеток этого инструмента следует проводить ТОЛЬКО в авторизованном сервисном центре Hitachi.

### 5. Замена сетевого шнура

В случае если будет поврежден сетевой шнур данного электроинструмента, электроинструмент необходимо вернуть в Уполномоченный сервисный центр фирмы Hitachi для замены шнура.

### 6. Порядок записей по техобслуживанию

- A: Пункт №
- B: Код №
- C: Количество применений
- D: Замечания

## ПРЕДОСТЕРЕЖЕНИЕ

Ремонт, модификацию и осмотр механизированного инструмента фирмы Hitachi следует проводить в авторизованном сервисном центре Hitachi.

Этот перечень запасных частей пригодится при представлении его вместе с инструментом в авторизованный сервисный центр Hitachi с запросом на ремонт или прочее обслуживание.

При работе и обслуживании механизированных инструментов нужно соблюдать правила и стандарты безопасности, действующие в каждой данной стране.

## ЗАМЕЧАНИЕ

Фирма HITACHI непрерывно работает над совершенствованием своих изделий, поэтому мы сохраняем за собой право на внесение изменений в технические характеристики, упомянутые в данной инструкции по эксплуатации, без предупреждения об этом.

## ПРИМЕЧАНИЕ

Поскольку фирма Hitachi постоянно ведет программу исследования и развития, приведенные здесь характеристики могут изменяться без предварительного уведомления.

## Информация, касающаяся создаваемого шума и вибрации

Измеряемые величины были определены в соответствии с EN60745 и заявлены в соответствии с ISO 4871.

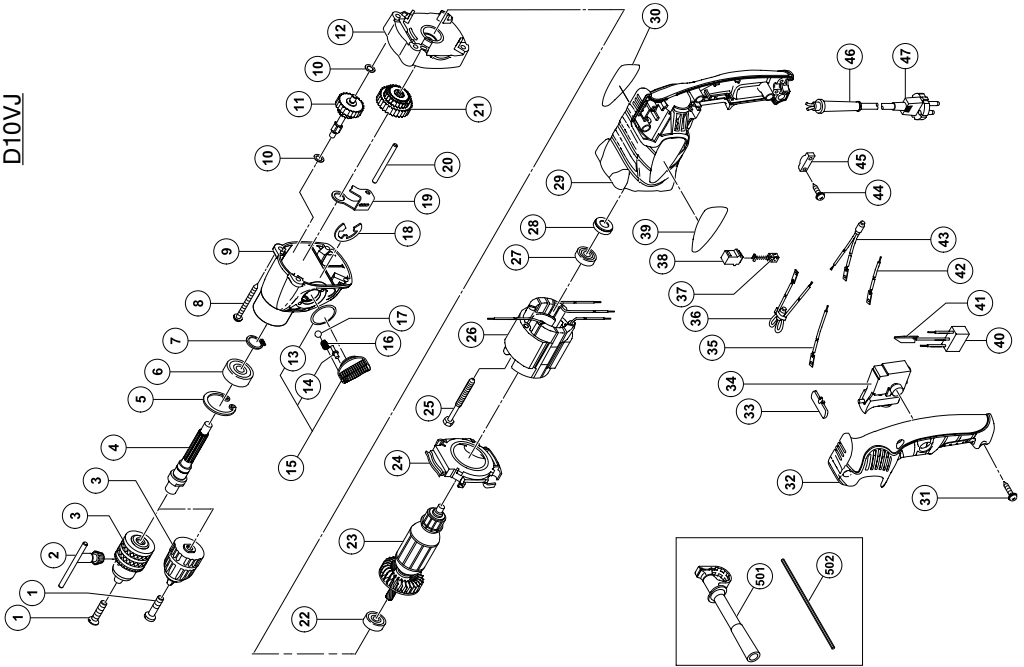
Типичный средневзвешенный уровень звукового давления: 80 дБ(A).

Погрешность Кра: 3 дБ (A).

Надевайте наушники.

Типичное значение вибрации: 2,5 м/с<sup>2</sup>.

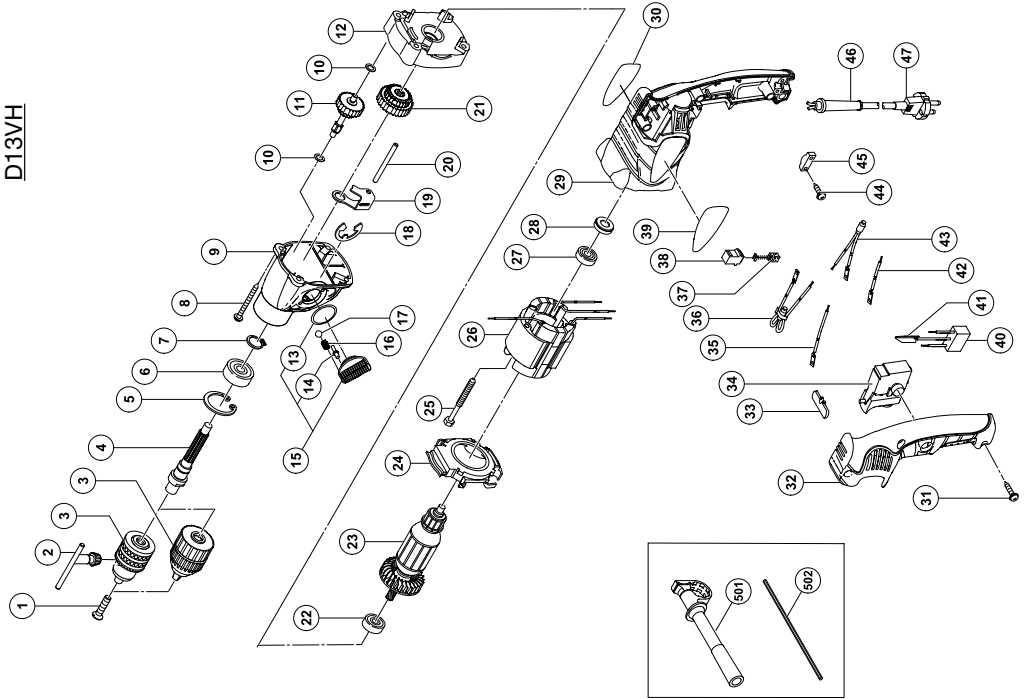
# D10VJ



A	B	C	D
1-1	995-344	1	M6 x 25
1-2	311-959	1	M6 x 23
2	987-575	1	
3-1	322-581	1	10VLRD
3-2	322-370	1	10VLRG-N
4	323-956	1	
5	939-556	1	
6	620-2DD	1	6202DDCMPS2L
7	939-544	1	
8	316-321	4	D5 x 45
9	323-959	1	
10	322-852	2	
11	322-858	1	
12	323-958	1	S-22
13	306-353	1	
14	322-848	1	"13, 14"
15	322-847	1	
16	981-328	1	D3.5
17	319-535	1	
18	323-048	1	
19	322-849	1	D5
20	322-860	1	
21	322-846	1	
22	608-DDM	1	608DDC2PS2L
23-1	360-655C	1	110V
23-2	360-655E	1	220V-230V
23-3	360-655F	1	240V
24	322-843	1	
25	981-824	2	D4 x 45
26-1	340-589C	1	110V
26-2	340-589E	1	220V-230V
26-3	340-589F	1	240V
27	698-T1X	1	698T1XZZ1M2E NS7L
28	309-929	1	
29	322-861	1	
30		1	
31	301-653	3	D4 x 20
32	322-862	1	
33	322-853	1	
34	322-854	1	
35	321-630	1	
36-1	322-517	1	"NZL, AUS, EUROPE, CHN"
36-2	322-518	1	"TPE"
37	999-041	2	
38	955-203	2	
39		1	
40	994-273	1	"TPE, NZL, AUS, EUROPE, CHN"
41	992-635	1	"TPE, NZL, AUS, EUROPE, CHN"
42	321-631	1	
43-1	321-634	1	"NZL, AUS, EUROPE, CHN"
43-2	322-519	1	"TPE"
44	984-750	2	D4 x 16
45	937-631	1	
46	953-327	1	
47		1	
501	323-050	1	
502	303-709	1	

# DT13VH

A	B	C	D
1	995-344	1	M6 × 25
2	987-576	1	
3-1	321-814	1	13VLRB-D
3-2	322-625	1	13VLRJ-N
4	323-956	1	
5	939-556	1	
6	620-2DD	1	6202DDCMPS2L
7	939-544	1	
8	316-321	4	D5 × 45
9	323-959	1	
10	322-852	2	
11	322-858	1	
12	323-958	1	S-22
13	306-353	1	
14	322-848	1	"-13, 14"
15	322-847	1	
16	981-328	1	D3.5
17	319-535	1	
18	323-048	1	
19	322-849	1	
20	322-860	1	D5
21	322-846	1	
22	608-DDM	1	608DDC2PS2L
23-1	360-655E	1	220V-230V
23-2	360-655F	1	240V
24	322-843	1	
25	981-824	2	D4 × 45
26-1	340-589E	1	220V-230V
26-2	340-589F	1	240V
27	698-T1X	1	698T1XZZ1MC2E NS7L
28	309-929	1	
29	322-861	1	
30	_____	1	
31	301-653	3	D4 × 20
32	322-862	1	
33	322-853	1	
34	329-820	1	
35	321-630	1	
36	322-517	1	
37	999-041	2	
38	955-203	2	
39	_____	1	
40	994-273	1	"FRA, AUS, SAF, CHN"
41	992-635	1	"FRA, AUS, SAF, CHN"
42	321-631	1	"KUN, INA, SAU, SIN"
43	321-634	1	
44	984-750	2	D4 × 16
45	937-631	1	
46	953-327	1	
47	_____	1	
501	323-050	1	
502	303-709	1	



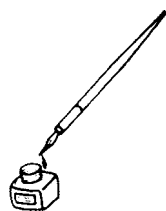
<p>English</p> <p><b><u>GUARANTEE CERTIFICATE</u></b></p> <ol style="list-style-type: none"> <li>① Model No.</li> <li>② Serial No.</li> <li>③ Date of Purchase</li> <li>④ Customer Name and Address</li> <li>⑤ Dealer Name and Address (Please stamp dealer name and address)</li> </ol>	<p>Magyar</p> <p><b><u>GARANCIA BIZONYLAT</u></b></p> <ol style="list-style-type: none"> <li>① Tipusszám</li> <li>② Sorozatszám</li> <li>③ A vásárlás dátuma</li> <li>④ A Vásárló neve és címe</li> <li>⑤ A Kereskedő neve és címe (Kérjük ide elhelyezni a Kereskedő nevének és címének pecsétjét)</li> </ol>
<p>Deutsch</p> <p><b><u>GARANTIESCHEIN</u></b></p> <ol style="list-style-type: none"> <li>① Modell-Nr.</li> <li>② Serien-Nr.</li> <li>③ Kaufdatum</li> <li>④ Name und Anschrift des Kunden</li> <li>⑤ Name und Anschrift des Händlers (Bitte mit Namen und Anschrift des Handlers abstempeln)</li> </ol>	<p>Čeština</p> <p><b><u>ZÁRUČNÍ LIST</u></b></p> <ol style="list-style-type: none"> <li>① Model č.</li> <li>② Série č.</li> <li>③ Datum nákupu</li> <li>④ Jméno a adresa zákazníka</li> <li>⑤ Jméno a adresa prodejce (Prosíme o razítko se jménem a adresou prodejce)</li> </ol>
<p>Ελληνικά</p> <p><b><u>ΠΙΣΤΟΠΟΙΗΤΙΚΟ ΕΓΓΥΗΣΗΣ</u></b></p> <ol style="list-style-type: none"> <li>① Αρ. Μοντέλου</li> <li>② Αύξων Αρ.</li> <li>③ Ημερομηνία αγοράς</li> <li>④ Όνομα και διεύθυνση πελάτη</li> <li>⑤ Όνομα και διεύθυνση μεταπωλητή (Παρακαλούμε να χρησιμοποιηθεί σφραγίδα)</li> </ol>	<p>Türkçe</p> <p><b><u>GARANTİ SERTİFİKASI</u></b></p> <ol style="list-style-type: none"> <li>① Model No.</li> <li>② Seri No.</li> <li>③ Satın Alma Tarihi</li> <li>④ Müşteri Adı ve Adresi</li> <li>⑤ Bayi Adı ve Adresi (Lütfen bayi adını ve adresini kaşe olarak basın)</li> </ol>
<p>Polski</p> <p><b><u>GWARANCJA</u></b></p> <ol style="list-style-type: none"> <li>① Model</li> <li>② Numer seryjny</li> <li>③ Data zakupu</li> <li>④ Nazwa klienta i adres</li> <li>⑤ Nazwa dealera i adres (Pieczęć punktu sprzedaży)</li> </ol>	<p>Русский</p> <p><b><u>ГАРАНТИЙНЫЙ СЕРТИФИКАТ</u></b></p> <ol style="list-style-type: none"> <li>① Модель №</li> <li>② Серийный №</li> <li>③ Дата покупки</li> <li>④ Название и адрес заказчика</li> <li>⑤ Название и адрес дилера (Пожалуйста, внесите название и адрес дилера)</li> </ol>

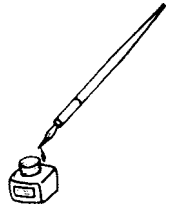


# HITACHI

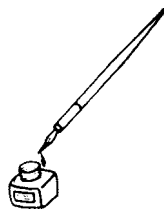
①	
②	
③	
④	
⑤	











<p>English</p> <p><b>EC DECLARATION OF CONFORMITY</b></p> <p>We declare under our sole responsibility that this product is in conformity with standards or standardized documents EN60745, EN55014 and EN61000-3 in accordance with Council Directives 73/23/EEC, 89/336/EEC and 98/37/EC.</p> <p>This declaration is applicable to the product affixed CE marking.</p>	<p>Magyar</p> <p><b>EU MEGFELELŐSÉGI NYILATKOZAT</b></p> <p>Teljes felelősségünk tudatában kijelentjük, hogy ez a termék megfelel az EN60745, EN55014, és EN 61000-3 szabványoknak illetve szabványosított dokumentumoknak, az Európa Tanács 73/23/EEC, 89/336/EEC, és 98/37/EC Tanácsi Direktíváival összhangban.</p> <p>Jelen nyilatkozat a terméken feltüntetett CE jelzésre vonatkozik.</p>
<p>Deutsch</p> <p><b>ERKLÄRUNG ZUR KONFORMITÄT MIT CE-REGELN</b></p> <p>Wir erklären mit alleiniger Verantwortung, daß dieses Produkt den Standards oder standardisierten Dokumenten EN60745, EN55014 und EN61000-3 in Übereinstimmung mit den Direktiven des Europarats 73/23/EWG, 89/336/EWG und 98/37/CE entspricht.</p> <p>Diese Erklärung gilt für Produkte, die die CE-Markierung tragen.</p>	<p>Čeština</p> <p><b>PROHLÁŠENÍ O SHODĚ S CE</b></p> <p>Prohlašujeme na svoji zodpovědnost, že tento výrobek odpovídá normám EN60745, EN55014 a EN61000-3 v souladu se směrnicemi 73/23/EEC, 89/336/EEC a 98/37/EC.</p> <p>Toto prohlášení platí pro výrobek označený značkou CE.</p>
<p>Ελληνικά</p> <p><b>ΕΚ ΔΗΛΩΣΗ ΕΝΑΡΜΟΝΙΣΜΟΥ</b></p> <p>Δηλώνουμε με απόλυτη υπευθυνότητα ότι αυτό το προϊόν είναι εναρμονισμένο με τα πρότυπα ή τα έγγραφα προτύπων EN60745, EN55014 και EN61000-3 σε συμφωνία με τις Οδηγίες του Συμβουλίου 73/23/ΕΟΚ, 89/336/ΕΟΚ και 98/37/ΕΚ.</p> <p>Αυτή η δήλωση ισχύει στο προϊόν με το σημάδι CE.</p>	<p>Türkçe</p> <p><b>AB UYGUNLUK BEYANI</b></p> <p>Bu ürünün, 73/23/EEC, 89/336/EEC ve 98/37/EC sayılı Konsey Direktiflerine uygun olarak, EN60745, EN55014 ve EN61000-3 sayılı standartlara ve standartlaştırılmış belgelere uygun olduğunu, tamamen kendi sorumluluğumuz altında beyan ederiz.</p> <p>Bu beyan, üzerinde CE işareti bulunan ürünler için geçerlidir.</p>
<p>Polski</p> <p><b>DEKLARACJA ZGODNOŚCI Z CE</b></p> <p>Oznajmiamy z całkowitą odpowiedzialnością, że produkt ten pozostaje w zgodzie ze standardami lub standardową formą dokumentów EN60745, EN55014 i EN61000-3 w zgodzie z Zasadami Rady 73/23/EEC 89/336/ EEC i 98/37/EC.</p> <p>To oświadczenie odnosi się do załączonego produktu z oznaczeniami CE.</p>	<p>Русский</p> <p><b>ДЕКЛАРАЦИЯ СООТВЕТСТВИЯ ЕС</b></p> <p>Мы с полной ответственностью заявляем, что данное изделие соответствует стандартам или стандартизованным документам EN60745, EN55014 и EN61000-3 согласно Директивам Совета 73/23/EEC, 89/336/EEC и 98/37/EC.</p> <p>Данная декларация относится к изделиям, на которых имеется маркировка CE.</p>
<p>Representative office in Europe  <b>Hitachi Power Tools Europe GmbH</b>  Siemensring 34, 47877 Willich 1, F. R. Germany</p> <p>Head office in Japan  <b>Hitachi Koki Co., Ltd.</b>  Shinagawa Intercity Tower A, 15-1, Konan 2-chome,  Minato-ku, Tokyo, Japan</p> <p style="text-align: center;"><b>CE</b></p> <p style="text-align: right;">31.1.2005</p> <p style="text-align: right;"><i>K. Kato</i></p> <p style="text-align: right;">K. Kato Board Director</p>	

 **Hitachi Koki Co., Ltd.**