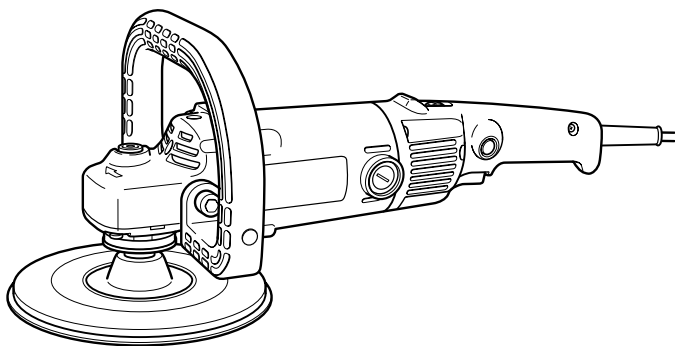


HITACHI

**Electronic Sander Polisher
Elektronischer Schleifer/Polierer
Polisseuse/lustreuse électronique
Levigatrice/lucidatrice elettronica
Schuur-polijstmachine met regel electronic
Lijadora pulidora electrónica
Lixadeira polidora electronica
Ηλεκτρονικο γωνιακο τριβειο**

SP 18VA

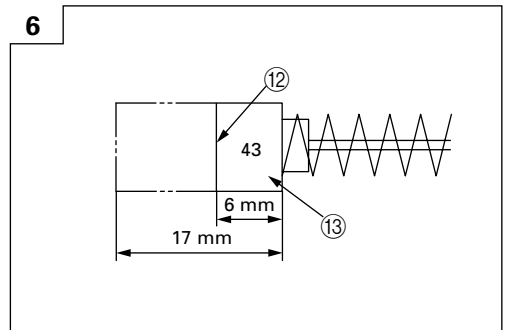
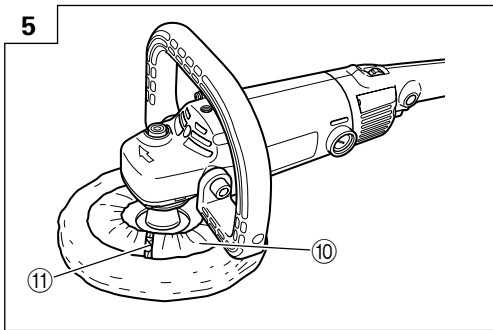
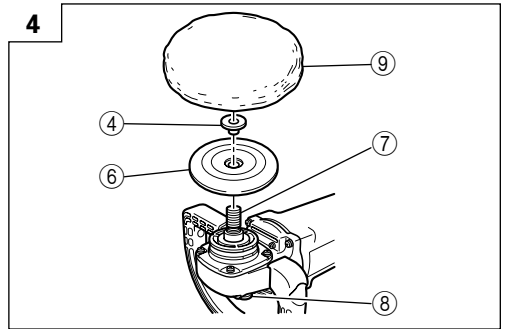
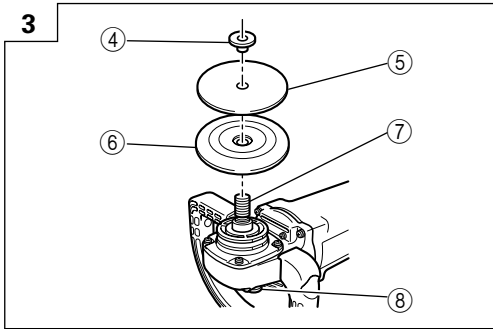
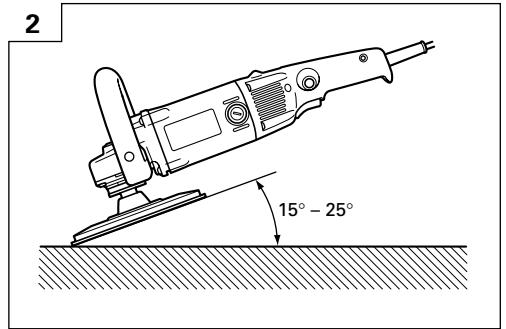
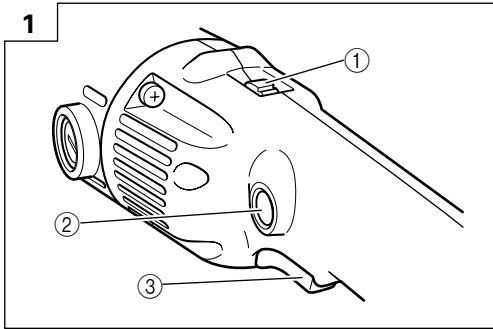


Read through carefully and understand these instructions before use.
Diese Anleitung vor Benutzung des Werkzeugs sorgfältig durchlesen und verstehen.
Lire soigneusement et bien assimiler ces instructions avant usage.
Prima dell'uso leggere attentamente e comprendere queste istruzioni.
Deze gebruiksaanwijzing s.v.p. voor gebruik zorgvuldig doorlezen.
Leer cuidadosamente y comprender estas instrucciones antes del uso.
Antes de usar, leia com cuidado para assimilar estas instruções.
Διαβάστε προσεκτικά και κατανοήσετε αυτές τις οδηγίες πριν τη χρήση.









Handling instructions
Bedienungsanleitung
Mode d'emploi
Istruzioni per l'uso
Gebruiksaanwijzing
Instrucciones de manejo
Instruções de uso
Οδηγίες χειρισμού

Hitachi Koki



	English	Deutsch	Français	Italiano
①	Dial	Skalenscheibe	Cadran	Selettore
②	Lock button	Verriegelungsknopf	Bouton de verrouillage	Tasto di blocco
③	Switch trigger	Abzugschalter	Gâchette	Grilletto interruttore
④	Washer nut	Sicherungsmutter	Ecrou rondelle	Dado ad anello
⑤	Sanding disc	Schleifscheibe	Disque de ponçage	Disco abrasivo
⑥	Rubber pad	Gummischleifteller	Coussinet en caoutchouc	Cuscino di gomma
⑦	Spindle	Spindel	Arbre	Asse
⑧	Lock pin	Verriegelungsstift	Goupille de verrouillage	Perno di bloccaggio
⑨	Wool bonnet	Wollkappe	Bonnet de laine	Cappuccio di lana
⑩	Hood	Haube	Bonnet	Cuffia
⑪	Tuck the excess string in	Das Ende des Bandes hineinstecken	Rentrer la partie restante du cordon	Infilare la parte in eccesso del laccio
⑫	Wear limit	Verschleißgrenze	Limite d'usure	Limite di usura
⑬	No. of carbon brush	Nr. der Kohlebürste	No. de balai en carbone	N. delle spazzole di carbone

	Nederlands	Español	Português	Ελληνικά
①	Schijf	Selector	Seletor	Καντράν
②	Vergrendelknop	Botón de bloqueo	Botão de bloqueio	Κουμπί ασφάλισης
③	Trekkerschakelaar	Interruptor de gatillo	Gatilho do interruptor	Σκανδάλη διακόπτης
④	Veiligheidsschroef	Contratuerca de arandela	Porca de arruela	Παξιμάδι με ροδέλα
⑤	Schuurschijf	Disco de esmerilado	Disco de lixar	Δίσκος λείανσης
⑥	Rubber steunschijf	Disco de caucho	Suporte de borracha	Λαστιχένιο παρέμβυσμα
⑦	As	Eje	Eixo	Άξονας
⑧	Vergrundelpen	Pasador de bloqueo	Pino de travamento	Ασφαλιστική περόνη
⑨	Wollen kap	Cubierta de lana	Cobertura de lã	Μάλλινη κουκούλα
⑩	Hoes	Cubierta	Cobertura	Χοάνη
⑪	Het uiteinde van de band erin steken	Meter firmemente el resto del cordón	Enfiar para dentro a parte restante da corda	Διπλώστε μέσα το παραπανίσιο κορδόνι.
⑫	Slijtagegrens	Límite de uso	Limite de desgaste	Όριο φθοράς
⑬	Nr. van de koolborstel	No. de carbón de contacto	Nº de escova de carvão	Αρ. Καρβουακίων

	Symbols ⚠ WARNING The following show symbols used for the machine. Be sure that you understand their meaning before use.	Symbole ⚠ WARNUNG Die folgenden Symbole werden für diese Maschine verwendet. Achten Sie darauf, diese vor der Verwendung zu verstehen.	Symboles ⚠ AVERTISSEMENT Les symboles suivants sont utilisés pour l'outil. Bien se familiariser avec leur signification avant d'utiliser l'outil.	Simboli ⚠ AVVERTENZA Di seguito mostriamo i simboli usati per la macchina. Assicurarsi di comprenderne il significato prima dell'uso.
	Read all safety warnings and all instructions. Failure to follow the warnings and instructions may result in electric shock, fire and/or serious injury.	Lesen Sie sämtliche Sicherheitshinweise und Anweisungen durch. Wenn die Warnungen und Anweisungen nicht befolgt werden, kann es zu Stromschlag, Brand und/oder ernsthaften Verletzungen kommen.	Lire tous les avertissements de sécurité et toutes les instructions. Tout manquement à observer ces avertissements et instructions peut engendrer des chocs électriques, des incendies et/ou des blessures graves.	Leggere tutti gli avvertimenti di sicurezza e tutte le istruzioni. La mancata osservanza degli avvertimenti e delle istruzioni potrebbe essere causa di scosse elettriche, incendi e/o gravi lesioni.
	Always wear eye protection.	Tragen Sie immer einen Augenschutz.	Toujours porter des verres de protection.	Indossate sempre le protezioni oculari.
	Only for EU countries Do not dispose of electric tools together with household waste material! In observance of European Directive 2002/96/EC on waste electrical and electronic equipment and its implementation in accordance with national law, electric tools that have reached the end of their life must be collected separately and returned to an environmentally compatible recycling facility.	Nur für EU-Länder Werfen Sie Elektrowerkzeuge nicht in den Hausmüll! Gemäß Europäischer Richtlinie 2002/96/EG über Elektro- und Elektronik-Altgeräte und Umsetzung in nationales Recht müssen verbrauchte Elektrowerkzeuge getrennt gesammelt und einer umweltgerechten Wiederverwertung zugeführt werden.	Pour les pays européens uniquement Ne pas jeter les appareils électriques dans les ordures ménagères! Conformément à la directive européenne 2002/96/EG relative aux déchets d'équipements électriques ou électroniques (DEEE), et à sa transposition dans la législation nationale, les appareils électriques doivent être collectés à part et être soumis à un recyclage respectueux de l'environnement.	Solo per Paesi UE Non gettare le apparecchiature elettriche tra i rifiuti domestici. Secondo la Direttiva Europea 2002/96/CE sui rifiuti di apparecchiature elettriche ed elettroniche e la sua attuazione in conformità alle norme nazionali, le apparecchiature elettriche esauste devono essere raccolte separatamente, al fine di essere reimpiegate in modo eco-compatibile.
	Symbolen ⚠ WAARSCHUWING Hieronder staan symbolen afgebeeld die van toepassing zijn op deze machine. U moet de betekenis hiervan begrijpen voor gebruik.	 Símbolos ⚠ ADVERTENCIA A continuación se muestran los símbolos usados para la máquina. Asegúrese de comprender su significado antes del uso.	 Símbolos ⚠ AVISO A seguir aparecem os símbolos utilizados pela máquina. Assimile bem seus significados antes do uso.	Σύμβολα ⚠ ΠΡΟΣΟΧΗ Τα παρακάτω δείχνουν τα σύμβολα που χρησιμοποιούνται στο μηχάνημα. Βεβαιωθείτε ότι κατανοείτε τη σημασία τους πριν τη χρήση.
	Lees alle waarschuwingen en instructies aandachtig door. Nalating om de waarschuwingen en instructies op te volgen kan in een elektrische schok, brand en/of ernstig letsel resulteren.	Lea todas las instrucciones y advertencias de seguridad. Si no se siguen las advertencias e instrucciones, podría producirse una descarga eléctrica, un incendio y/o daños graves.	Leia todas as instruções e avisos de segurança. Se não seguir todas as instruções e os avisos, pode provocar um choque elétrico, incêndio e/ou ferimentos graves.	Διαβάστε όλες τις προειδοποιήσεις ασφαλείας και όλες τις οδηγίες. Η μη τήρηση των προειδοποιήσεων και οδηγιών μπορεί να προκαλέσει ηλεκτροπληξία, πυρκαγιά και/ή σοβαρό τραυματισμό.
	Draag altijd oogbescherming.	Utilice siempre una protección ocular.	Utilize sempre proteção para os olhos.	Φοράτε πάντα τον κατάλληλο εξοπλισμό για την προστασία των ματιών.
	Alleen voor EU-landen Geef elektrisch gereedschap niet met het huisvuil mee! Volgens de Europese richtlijn 2002/96/EG inzake oude elektrische en elektronische apparaten en de toepassing daarvan binnen de nationale wetgeving, dient gebruikt elektrisch gereedschap gescheiden te worden ingezameld en te worden afgevoerd naar een recycle bedrijf dat voldoet aan de geldende milieu-eisen.	Sólo para países de la Unión Europea ¡No desheche los aparatos eléctricos junto con los residuos domésticos! De conformidad con la Directiva Europea 2002/96/CE sobre residuos de aparatos eléctricos y electrónicos y su aplicación de acuerdo con la legislación nacional, las herramientas eléctricas cuya vida útil haya llegado a su fin se deberán recoger por separado y trasladar a una planta de reciclaje que cumpla con las exigencias ecológicas.	Apenas para países da UE Não deite ferramentas elétricas no lixo doméstico! De acordo com a diretiva europeia 2002/96/CE sobre ferramentas eléctricas e electrónicas usadas e a transposição para as leis nacionais, as ferramentas eléctricas usadas devem ser recolhidas em separado e encaminhadas a uma instalação de reciclagem dos materiais ecológica.	Μόνο για τις χώρες της ΕΕ Μην πετάτε τα ηλεκτρικά εργαλεία στον κάδο οικιακών απορριμμάτων! Σύμφωνα με την ευρωπαϊκή οδηγία 2002/96/ΕΚ περί ηλεκτρικών και ηλεκτρονικών συσκευών και την ενσωμάτωση της στο εθνικό δίκαιο, τα ηλεκτρικά εργαλεία πρέπει να συλλέγονται ξεχωριστά και να επιστρέφονται για ανακύκλωση με τρόπο φιλικό προς το περιβάλλον.

GENERAL POWER TOOL SAFETY WARNINGS

WARNING

Read all safety warnings and all instructions.

Failure to follow the warnings and instructions may result in electric shock, fire and/or serious injury.

Save all warnings and instructions for future reference.

The term "power tool" in the warnings refers to your mains-operated (corded) power tool or battery-operated (cordless) power tool.

1) Work area safety

- a) **Keep work area clean and well lit.**

Cluttered or dark areas invite accidents.

- b) **Do not operate power tools in explosive atmospheres, such as in the presence of flammable liquids, gases or dust.**

Power tools create sparks which may ignite the dust or fumes.

- c) **Keep children and bystanders away while operating a power tool.**

Distractions can cause you to lose control.

2) Electrical safety

- a) **Power tool plugs must match the outlet.**

Never modify the plug in any way.

Do not use any adapter plugs with earthed (grounded) power tools.

Unmodified plugs and matching outlets will reduce risk of electric shock.

- b) **Avoid body contact with earthed or grounded surfaces, such as pipes, radiators, ranges and refrigerators.**

There is an increased risk of electric shock if your body is earthed or grounded.

- c) **Do not expose power tools to rain or wet conditions.**

Water entering a power tool will increase the risk of electric shock.

- d) **Do not abuse the cord. Never use the cord for carrying, pulling or unplugging the power tool.**

Keep cord away from heat, oil, sharp edges or moving parts.

Damaged or entangled cords increase the risk of electric shock.

- e) **When operating a power tool outdoors, use an extension cord suitable for outdoor use.**

Use of a cord suitable for outdoor use reduces the risk of electric shock.

- f) **If operating a power tool in a damp location is unavoidable, use a residual current device (RCD) protected supply.**

Use of an RCD reduces the risk of electric shock.

3) Personal safety

- a) **Stay alert, watch what you are doing and use common sense when operating a power tool.**

Do not use a power tool while you are tired or under the influence of drugs, alcohol or medication.

A moment of inattention while operating power tools may result in serious personal injury.

- b) **Use personal protective equipment. Always wear eye protection.**

Protective equipment such as dust mask, non-skid safety shoes, hard hat, or hearing protection used for appropriate conditions will reduce personal injuries.

- c) **Prevent unintentional starting. Ensure the switch is in the off-position before connecting to power source and/or battery pack, picking up or carrying the tool.**

Carrying power tools with your finger on the switch or energising power tools that have the switch on invites accidents.

- d) **Remove any adjusting key or wrench before turning the power tool on.**

A wrench or a key left attached to a rotating part of the power tool may result in personal injury.

- e) **Do not overreach. Keep proper footing and balance at all times.**

This enables better control of the power tool in unexpected situations.

- f) **Dress properly. Do not wear loose clothing or jewellery. Keep your hair, clothing and gloves away from moving parts.**

Loose clothes, jewellery or long hair can be caught in moving parts.

- g) **If devices are provided for the connection of dust extraction and collection facilities, ensure these are connected and properly used.**

Use of dust collection can reduce dust related hazards.

4) Power tool use and care

- a) **Do not force the power tool. Use the correct power tool for your application.**

The correct power tool will do the job better and safer at the rate for which it was designed.

- b) **Do not use the power tool if the switch does not turn it on and off.**

Any power tool that cannot be controlled with the switch is dangerous and must be repaired.

- c) **Disconnect the plug from the power source and/or the battery pack from the power tool before making any adjustments, changing accessories, or storing power tools.**

Such preventive safety measures reduce the risk of starting the power tool accidentally.

- d) **Store idle power tools out of the reach of children and do not allow persons unfamiliar with the power tool or these instructions to operate the power tool.**

Power tools are dangerous in the hands of untrained users.

- e) **Maintain power tools. Check for misalignment or binding of moving parts, breakage of parts and any other condition that may affect the power tool's operation.**

If damaged, have the power tool repaired before use.
Many accidents are caused by poorly maintained power tools.

- f) **Keep cutting tools sharp and clean.**

Properly maintained cutting tools with sharp cutting edges are less likely to bind and are easier to control.

- g) **Use the power tool, accessories and tool bits etc. in accordance with these instructions, taking into account the working conditions and the work to be performed.**

Use of the power tool for operations different from those intended could result in a hazardous situation.

5) Service

- a) **Have your power tool serviced by a qualified repair person using only identical replacement parts.**

This will ensure that the safety of the power tool is maintained.

PRECAUTION

Keep children and infirm persons away.

When not in use, tools should be stored out of reach of children and infirm persons.

SAFETY WARNINGS COMMON FOR SANDING OR POLISHING OPERATIONS

a) **This power tool is intended to function as a sander or polisher. Read all safety warnings, instructions, illustrations and specifications provided with this power tool.**

Failure to follow all instructions listed below may result in electric shock, fire and/or serious injury.

b) **Operations such as grinding, wire brushing or cutting-off are not recommended to be performed with this power tool.**

Operations for which the power tool was not designed may create a hazard and cause personal injury.

c) **Do not use accessories which are not specifically designed and recommended by the tool manufacturer.**

Just because the accessory can be attached to your power tool, it does not assure safe operation.

d) **The rated speed of the accessory must be at least equal to the maximum speed marked on the power tool.**

Accessories running faster than their rated speed can break and fly apart.

e) **The outside diameter and the thickness of your accessory must be within the capacity rating of your power tool.**

Incorrectly sized accessories cannot be adequately guarded or controlled.

f) **The arbour size of wheels, flanges, backing pads or any other accessory must properly fit the spindle of the power tool.**

Accessories with arbour holes that do not match the mounting hardware of the power tool will run out of balance, vibrate excessively and may cause loss of control.

g) **Do not use a damaged accessory. Before each use inspect the accessory such as abrasive wheels for chips and cracks, backing pad for cracks, tear or excess wear, wire brush for loose or cracked wires. If power tool or accessory is dropped, inspect for damage or install an undamaged accessory. After inspecting and installing an accessory, position yourself and bystanders away from the plane of the rotating accessory and run the power tool at maximum no-load speed for one minute.**

Damaged accessories will normally break apart during this test time.

h) **Wear personal protective equipment. Depending on application, use face shield, safety goggles or safety glasses. As appropriate, wear dust mask, hearing protectors, gloves and workshop apron capable of stopping small abrasive or workpiece fragments.**

The eye protection must be capable of stopping flying debris generated by various operations. The dust mask or respirator must be capable of filtering particles generated by your operation. Prolonged exposure to high intensity noise may cause hearing loss.

i) **Keep bystanders a safe distance away from work area. Anyone entering the work area must wear personal protective equipment.**

Fragments of workpiece or of a broken accessory may fly away and cause injury beyond immediate area of operation.

j) **Hold the power tool by insulated gripping surfaces only, when performing an operation where the cutting accessory may contact hidden wiring or its own cord.**

Cutting accessory contacting a "live" wire may make exposed metal parts of the power tool "live" and could give the operator an electric shock.

k) **Position the cord clear of the spinning accessory. If you lose control, the cord may be cut or snagged and your hand or arm may be pulled into the spinning accessory.**

l) **Never lay the power tool down until the accessory has come to a complete stop.**

The spinning accessory may grab the surface and pull the power tool out of your control.

m) **Do not run the power tool while carrying it at your side.**

Accidental contact with the spinning accessory could snag your clothing, pulling the accessory into your body.

n) **Regularly clean the power tool's air vents.**

The motor's fan will draw the dust inside the housing and excessive accumulation of powdered metal may cause electrical hazards.

o) **Do not operate the power tool near flammable materials.**

Sparks could ignite these materials.

p) **Do not use accessories that require liquid coolants.**

Using water or other liquid coolants may result in electrocution or shock.

KICKBACK AND RELATED WARNINGS

Kickback is a sudden reaction to a pinched or snagged rotating wheel, backing pad, brush or any other accessory. Pinching or snagging causes rapid stalling of the rotating accessory which in turn causes the uncontrolled power tool to be forced in the direction opposite of the accessory's rotation at the point of the binding.

For example, if an abrasive wheel is snagged or pinched by the workpiece, the edge of the wheel that is entering into the pinch point can dig into the surface of the material causing the wheel to climb out or kick out. The wheel may either jump toward or away from the operator, depending on direction of the wheel's movement at the point of pinching. Abrasive wheels may also break under these conditions.

Kickback is the result of power tool misuse and/or incorrect operating procedures or conditions and can be avoided by taking proper precautions as given below.

a) **Maintain a firm grip on the power tool and position your body and arm to allow you to resist kickback forces. Always use auxiliary handle, if provided, for maximum control over kickback or torque reaction during start-up.**

The operator can control torque reactions or kickback forces, if proper precautions are taken.

b) **Never place your hand near the rotating accessory. Accessory may kickback over your hand.**

c) **Do not position your body in the area where power tool will move if kickback occurs.**

Kickback will propel the tool in direction opposite to the wheel's movement at the point of snagging.

- d) **Use special care when working corners, sharp edges etc. Avoid bouncing and snagging the accessory.**
Corners, sharp edges or bouncing have a tendency to snag the rotating accessory and cause loss of control or kickback.
- e) **Do not attach a saw chain woodcarving blade or toothed saw blade.**
Such blades create frequent kickback and loss of control.

SAFETY WARNINGS SPECIFIC FOR SANDING OPERATIONS

- a) **Do not use excessively oversized sanding disc paper. Follow manufacturers recommendations, when selecting sanding paper.**
Larger sanding paper extending beyond the sanding pad presents a laceration hazard and may cause snagging, tearing of the disc or kickback.

SAFETY WARNINGS SPECIFIC FOR POLISHING OPERATIONS

- a) **Do not allow any loose portion of the polishing bonnet or its attachment strings to spin freely. Tuck away or trim any loose attachment strings.**
Loose and spinning attachment strings can entangle your fingers or snag on the workpiece.

SPECIFICATIONS

Voltage (by areas)*	(110V, 120V, 220V, 230V, 240V) ~
Power input	1250 W*
No load speed	0 – 3400 min ⁻¹
Rated Speed	3750 min ⁻¹
Sanding Disc Size outer dia. × inner dia.	180 × 22 mm
Weight (without cord, standard accessories)	2.8 kg

*Be sure to check the nameplate on product as it is subject to change by areas.

STANDARD ACCESSORIES

- (1) Rubber Pad 1
 (2) Loop Handle (with bolt and washer) 1
 (3) Bar Wrench 1
 Standard accessories are subject to change without notice.

APPLICATIONS

- Grinding metal surfaces
- Preliminary sanding of metal surfaces before painting, rust removal, removing old paint before repainting.
- Finishing woodwork, correcting projections of timber from joints or assemblies.
- Preliminary sanding of wood surfaces before applying paint.
- Polishing or shining painted metal surfaces, such as those of automobiles, trains, elevators, refrigerators, sewing machines, washing machines, metal appliances, etc.

PRECAUTIONS ON USING ELECTRONIC SANDER POLISHER

1. Never mount a grinding wheel and attempt to use this tool as a disc grinder.
2. Always hold the body handle and side handle of the power tool firmly.
Otherwise the counterforce produced may result in inaccurate and even dangerous operation.
3. Ensure that sparks resulting from use do not create a hazard e. g. do not hit persons, or ignite flammable substances.
4. Always use protective safety glasses and hearing protectors, use other personal protective equipment such as gloves, apron and helmet when necessary.
5. Always use eye and ear protection.
Other personal protective equipment such as dust mask, gloves, helmet and apron should be worn when necessary.
If in doubt, wear the protective equipment.

- Polishing varnished surfaces of wooden furniture, etc.
- Shining synthetic resin or ebonite products.

PRIOR TO OPERATION

1. **Power source**
Ensure that the power source to be utilized conforms to the power requirements specified on the product nameplate.
CAUTION
Do not operate on Direct Current power source.
2. **Power switch**
Ensure that the power switch is in the OFF position. If the plug is connected to a receptacle while the power switch is in the ON position, the power tool will start operating immediately, which could cause a serious accident.
3. **Extension cord**
When the work area is removed from the power source, use an extension cord of sufficient thickness and rated capacity. The extension cord should be kept as short as practicable.

4. Confirm the lock pin

Confirm that the lock pin is disengaged by pushing the lock pin two or three times before switching the power tool on. (See Fig. 3, 4)

5. Fixing the loop handle

Fix the loop handle with a bolt and a washer to the gear cover.

6. RCD

The use of a residual current device with a rated residual current of 30mA or less at all times is recommended.

PRACTICAL ELECTRONIC SANDER POLISHER APPLICATIONS

Motor speed is increased by increasing pressure on the trigger. Release the trigger to stop. For continuous operation, pull the trigger and then push in the lock button. To stop the motor from the locked position, pull the trigger full, then release it.

Motor speed can be variable as desired by rotating the dial; it is increased by turning the dial towards "6", decreased by turning it towards "1" (Fig. 1).

Select the motor speed appropriate for the work being done. The following table gives the motor speeds corresponding to each indication on the dial scale and shows the types of work for which they are suitable.

Dial Indication	R.P.M.	Type of work
1	600	For Polishing
2	1100	
3	1700	
4	2300	For Sanding
5	2900	
6	3400	

CAUTION

The dial cannot be rotated further than the "6" or "1" on the scale in their respective directions.

1. Sander operation

(1) This unit is designed to provide sufficient polishing (sanding) power with the disc pressed lightly against the sanding/polishing surface: it is equipped with an electronic control circuit to ensure that the motor will not slow down even when loaded. There is therefore no need to press the sanding disc hard against the surface; doing so can overload the motor, subsequently causing the overload cut device to step into operation by cutting the motor's power supply.

If this should happen, cut the power switch and turn at the correct motor speed.

(2) Do not apply the entire disc surface to the surface of the material. As shown in Fig. 2, the sander should be held at an approximately 15° to 25° angle in relation to the material surface so that the peripheral portion of the sanding disc is offered to the material surface.

(3) Precaution immediately after finishing an operation: After turning the switch OFF, do not put the sander down until the sanding disc has come to a complete stop. This precaution will not only prevent a serious accident, but will also reduce the amount of dust and swarf sucked into the machine.

2. Polisher operation:

(1) Curved surfaces as well as flat surfaces can be efficiently finished. Do not excessively push the polisher against the surface of the material. The weight of the polisher alone is sufficient for effective polishing. Excessive pressure will result in a poor finish and cause possible overload to the motor.

(2) Sanding disc, polishing compound or wax should be selected in accordance with the material and the desired surface finish. Maximum polishing effect will be attained by following the following method:

- Preliminary polishing with sander using a finegrain sanding disc.
- Polishing with wool bonnet using polishing compound and/or wax. Apply a small quantity of compound and/or wax on material surface and polish with the wool bonnet.

CAUTION

- Carefully guard against permitting the cabtyre cord to touch the wool bonnet or sanding disc during operation. If the cord touches, there is a danger that it may become entangled.
- Do not use the lock pin as a brake to stop the tool as this may lead to damage of the gear or detachment of the tool.

MOUNTING AND DISMOUNTING THE SANDING DISC AND WOOL BONNET

1. For Sander operation (Fig. 3)

- (1) After placing the sanding disc on the rubber pad, thread the washer nut onto the spindle.
- (2) Press the lock pin to secure the spindle and tighten the washer nut with a wrench.
- (3) To remove the sanding disc, follow the above procedures in reverse.

2. For Polisher operation (Fig. 4)

- (1) Insert the washer nut through the rubber pad and thread it onto the spindle.
- (2) Press the lock pin to secure the spindle and tighten the washer nut with a wrench.
- (3) As shown in Fig. 5, wrap the rubber pad with the hood of the wool bonnet, and firmly secure it by tightening and tying its draw string. Be sure the excess string is firmly tucked inside the wool bonnet to prevent it from flying out while polishing.

CAUTION

Improper fitting of the wool bonnet may cause vibration.

- (4) To remove the wool bonnet, follow the above procedures in reverse.

CAUTION

- Use a wrench to tighten the washer nut sufficiently.
- After releasing the lock pin, check to be sure that it has returned to its normal position.

MAINTENANCE AND INSPECTION

1. Inspecting the mounting screws:

Regularly inspect all mounting screws and ensure that they are properly tightened. Should any of the screws be loose, retighten them immediately. Failure to do so could result in serious hazard.

2. Inspecting the carbon brushes (Fig. 6)

The motor employs carbon brushes which are consumable parts. Since an excessively worn carbon brush can result in motor trouble, replace the carbon brush with a new one having the same carbon brush No. shown in the figure when it becomes worn to or near the "wear limit". In addition, always keep carbon brushes clean and ensure that they slide freely within the brush holders.

3. Replacing a carbon brush:

Disassemble the brush cap with a minus-head screwdriver. The carbon brush can then be easily removed.

4. Maintenance of the motor

The motor unit winding is the very "heart" of the power tool.

Exercise due care to ensure the winding does not become damaged and/or wet with oil or water.

5. Cleaning lock pin section

If the lock pin section becomes dirty, clean it at once.

6. Service parts list

- A: Item No.
- B: Code No.
- C: No. Used
- D: Remarks

CAUTION

Repair, modification and inspection of Hitachi Power Tools must be carried out by a Hitachi Authorized Service Center.

This Parts List will be helpful if presented with the tool to the Hitachi Authorized Service Center when requesting repair or other maintenance.

In the operation and maintenance of power tools, the safety regulations and standards prescribed in each country must be observed.

MODIFICATIONS

Hitachi Power Tools are constantly being improved and modified to incorporate the latest technological advancements.

Accordingly, some parts (i.e. code numbers and/or design) may be changed without prior notice.

GUARANTEE

We guarantee Hitachi Power Tools in accordance with statutory/country specific regulation. This guarantee does not cover defects or damage due to misuse, abuse, or normal wear and tear. In case of complaint, please send the Power Tool, undismantled, with the GUARANTEE CERTIFICATE found at the end of this Handling instructions, to a Hitachi Authorized Service Center.

NOTE

Due to HITACHI's continuing program of research and development, the specifications herein are subject to change without prior notice.

IMPORTANT

Correct connection of the plug

The wires of the main lead are coloured in accordance with the following code:

Blue: — Neutral

Brown: — Live

As the colours of the wires in the main lead of this tool may not correspond with the coloured markings identifying the terminals in your plug proceed as follows: The wire coloured blue must be connected to the terminal marked with the letter N or coloured black. The wire coloured brown must be connected to the terminal marked with the letter L or coloured red. Neither core must be connected to the earth terminal.

NOTE

This requirement is provided according to BRITISH STANDARD 2769: 1984.

Therefore, the letter code and colour code may not be applicable to other markets except The United Kingdom.

Information concerning airborne noise and vibration

The measured values were determined according to EN60745 and declared in accordance with ISO 4871.

The typical A-weighted sound pressure level: 83 dB (A).

The typical A-weighted sound power level: 94 dB (A).

Uncertainty KpA: 3 dB (A).

Wear hearing protection.

Vibration total values (triax vector sum) determined according to EN60745.

Polishing:

Vibration emission value $a_{h,P}$ = 5.6 m/s²

Uncertainty K = 2.2 m/s²

Sanding:

Vibration emission value $a_{h,DS}$ = 3.8 m/s²

Uncertainty K = 1.5 m/s²

The declared vibration total value has been measured in accordance with a standard test method and may be used for comparing one tool with another.

It may also be used in a preliminary assessment of exposure.

WARNING

- The vibration emission during actual use of the power tool can differ from the declared total value depending on the ways in which the tool is used.
- Identify safety measures to protect the operator that are based on an estimation of exposure in the actual conditions of use (taking account of all parts of the operating cycle such as the times when the tool is switched off and when it is running idle in addition to the trigger time).

ALLGEMEINE SICHERHEITSHINWEISE FÜR ELEKTROGERÄTE

⚠️ WARNUNG

Lesen Sie sämtliche Sicherheitshinweise und Anweisungen durch. Wenn die Warnungen und Anweisungen nicht befolgt werden, kann es zu Stromschlag, Brand und/oder ernsthaften Verletzungen kommen.

Bitte bewahren Sie alle Warnhinweise und Anweisungen zum späteren Nachschlagen auf.

Der Begriff „Elektrowerkzeug“ bezieht sich in den Warnhinweisen auf Elektrowerkzeuge mit Netz- (schnurgebunden) oder Akkubetrieb (schnurlos).

1) Sicherheit im Arbeitsbereich

- a) Sorgen Sie für einen sauberen und gut ausgeleuchteten Arbeitsbereich.
Zugestellte oder dunkle Bereiche ziehen Unfälle förmlich an.
- b) Verwenden Sie Elektrowerkzeuge niemals an Orten, an denen Explosionsgefahr besteht – zum Beispiel in der Nähe von leicht entflammaren Flüssigkeiten, Gasen oder Stäuben.
Bei der Arbeit mit Elektrowerkzeugen kann es zu Funkenbildung kommen, wodurch sich Stäube oder Dämpfe entzünden können.
- c) Sorgen Sie bei der Arbeit mit Elektrowerkzeugen dafür, dass sich keine Zuschauer (insbesondere Kinder) in der Nähe befinden.
Wenn Sie abgelenkt werden, können Sie die Kontrolle über das Werkzeug verlieren.

2) Elektrische Sicherheit

- a) Elektrowerkzeuge müssen mit passender Stromversorgung betrieben werden.
Nehmen Sie niemals irgendwelche Änderungen am Anschlussstecker vor.
Verwenden Sie bei Elektrowerkzeugen mit Schutzkontakt (geerdet) niemals Adapterstecker.
Stecker im Originalzustand und passende Steckdosen reduzieren das Stromschlagrisiko.
- b) Vermeiden Sie Körperkontakt mit geerdeten Gegenständen wie Rohrleitungen, Heizungen, Herden oder Kühlschränken.
Bei Körperkontakt mit geerdeten Gegenständen besteht ein erhöhtes Stromschlagrisiko.
- c) Setzen Sie Elektrowerkzeuge niemals Regen oder sonstiger Feuchtigkeit aus.
Wenn Flüssigkeiten in ein Elektrowerkzeug eindringen, erhöht sich das Stromschlagrisiko.
- d) Verwenden Sie die Anschlusschnur nicht missbräuchlich. Tragen Sie das Elektrowerkzeug niemals an der Anschlusschnur, ziehen Sie es nie damit heran und ziehen Sie den Stecker nicht an der Anschlusschnur aus der Steckdose.
Halten Sie die Anschlusschnur von Hitzequellen, Öl, scharfen Kanten und beweglichen Teilen fern.
Beschädigte oder verdrehte Anschlusschnüre erhöhen das Stromschlagrisiko.
- e) Wenn Sie ein Elektrowerkzeug im Freien benutzen, verwenden Sie ein für den Außeneinsatz geeignetes Verlängerungskabel.
Ein für den Außeneinsatz geeignetes Kabel vermindert das Stromschlagrisiko.
- f) Falls sich der Betrieb des Elektrowerkzeuges in feuchter Umgebung nicht vermeiden lässt, verwenden Sie eine Stromversorgung mit Fehlerstromschutzeinrichtung (Residual Current Device, RCD).
Durch den Einsatz einer Fehlerstromschutzeinrichtung wird das Risiko eines elektrischen Schlages reduziert.

3) Persönliche Sicherheit

- a) Bleiben Sie wachsam, achten Sie auf das, was Sie tun, und setzen Sie Ihren Verstand ein, wenn Sie mit Elektrowerkzeugen arbeiten.
Benutzen Sie keine Elektrowerkzeuge, wenn Sie müde sind oder unter Einfluss von Drogen, Alkohol oder Medikamenten stehen.
Bei der Arbeit mit Elektrowerkzeugen können bereits kurze Phasen der Unaufmerksamkeit zu schweren Verletzungen führen.
 - b) Benutzen Sie eine persönliche Schutzausrüstung. Tragen Sie immer einen Augenschutz.
Schutzausrüstung wie Staubmaske, rutschsichere Sicherheitsschuhe, Schutzhelm und Gehörschutz senken das Verletzungsrisiko bei angemessenem Einsatz.
 - c) Vermeiden Sie unbeabsichtigten Anlauf. Achten Sie darauf, dass sich der Schalter in der Aus- (Off-) Position befindet, ehe Sie das Gerät mit der Stromversorgung und/oder Batteriestromversorgung verbinden, es aufheben oder herumtragen.
Das Herumtragen von Elektrowerkzeugen mit dem Finger am Schalter oder das Herstellen der Stromversorgung bei betätigtem Schalter zieht Unfälle regelrecht an.
 - d) Entfernen Sie sämtliche Einstellwerkzeuge (Einstellschlüssel), ehe Sie das Elektrowerkzeug einschalten.
Ein an einem beweglichen Teil des Elektrowerkzeuges angebrachter Schlüssel kann zu Verletzungen führen.
 - e) Sorgen Sie für einen festen Stand. Achten Sie jederzeit darauf, sicher zu stehen und das Gleichgewicht zu bewahren.
Dadurch haben Sie das Elektrowerkzeug in unerwarteten Situationen besser im Griff.
 - f) Kleiden Sie sich richtig. Tragen Sie keine lose Kleidung oder Schmuck. Halten Sie Haar, Kleidung und Handschuhe von beweglichen Teilen fern.
Lose Kleidung, Schmuck oder langes Haar kann von beweglichen Teilen erfasst werden.
 - g) Wenn Anschlüsse für Staubabsaug- und -sammelvorrichtungen vorhanden sind, sorgen Sie dafür, dass diese richtig angeschlossen und eingesetzt werden.
Durch Entfernen des Staubes können staubbezogene Gefahren vermindert werden.
- #### 4) Einsatz und Pflege von Elektrowerkzeugen
- a) Überansprechen Sie Elektrowerkzeuge nicht. Benutzen Sie das richtige Elektrowerkzeug für Ihren Einsatzzweck.
Das richtige Elektrowerkzeug erledigt seine Arbeit bei bestimmungsgemäßem Einsatz besser und sicherer.
 - b) Benutzen Sie das Elektrowerkzeug nicht, wenn es sich nicht am Schalter ein- und ausschalten lässt.
Jedes Elektrowerkzeug, das nicht mit dem Schalter betätigt werden kann, stellt eine Gefahr dar und muss repariert werden.
 - c) Stecken Sie den Stecker der Stromversorgung oder Batteriestromversorgung vom Gerät ab, ehe Sie Einstellarbeiten vornehmen, Zubehörteile tauschen oder das Elektrowerkzeug verstauen.
Solche präventiven Sicherheitsmaßnahmen verhindern den unbeabsichtigten Anlauf des Elektrowerkzeuges und die damit verbundenen Gefahren.
 - d) Lagern Sie nicht benutzte Elektrowerkzeuge außerhalb der Reichweite von Kindern, lassen Sie nicht zu, dass Personen das Elektrowerkzeug bedienen, die nicht mit dem Werkzeug selbst und/oder diesen Anweisungen vertraut sind.
Elektrowerkzeuge in ungeschulten Händen sind gefährlich.
 - e) Halten Sie Elektrowerkzeuge in Stand. Prüfen Sie auf Fehlausrichtungen, sicheren Halt und Leichtgängigkeit beweglicher Teile, Beschädigungen von Teilen und auf jegliche andere Zustände, die sich auf den Betrieb des Elektrowerkzeuges auswirken können.

Bei Beschädigungen lassen Sie das Elektrowerkzeug reparieren, ehe Sie es benutzen.

Viele Unfälle mit Elektrowerkzeugen sind auf schlechte Wartung zurückzuführen.

- f) Halten Sie Schneidwerkzeuge scharf und sauber. Richtig gewartete Schneidwerkzeuge mit scharfen Schneidkanten bleiben weniger häufig hängen und sind einfacher zu beherrschen.
- g) Benutzen Sie Elektrowerkzeuge, Zubehör, Werkzeugspitzen und Ähnliches in Übereinstimmung mit diesen Anweisungen – beachten Sie dabei die jeweiligen Arbeitsbedingungen und die Art und Weise der auszuführenden Arbeiten.
Der Gebrauch des Elektrowerkzeuges für andere als die vorgesehenen Anwendungen kann zu gefährlichen Situationen führen.
- 5) Service
- a) Lassen Sie Elektrowerkzeuge durch qualifizierte Fachkräfte und unter Einsatz passender, zugelassener Originalteile warten.
Dies sorgt dafür, dass die Sicherheit des Elektrowerkzeuges nicht beeinträchtigt wird.

VORSICHT

Von Kindern und gebrechlichen Personen fernhalten.

Werkzeuge sollten bei Nichtgebrauch außerhalb der Reichweite von Kindern und gebrechlichen Personen aufbewahrt werden.

ALLGEMEINE SICHERHEITSHINWEISE FÜR SCHLEIF- ODER POLIERARBEITEN

- a) Dieses Elektrowerkzeug ist für den Einsatz als Schleif- oder Poliergerät ausgelegt. Bitte beachten Sie sämtliche mit diesem Gerät gelieferten Sicherheitshinweise, Anweisungen, Illustrationen und technischen Angaben.

Wenn nicht sämtliche nachstehenden Anweisungen befolgt werden, kann es zu Stromschlag, Feuergefahr und/oder ernsthaften Verletzungen kommen.

- b) Es wird empfohlen, keine Arbeiten wie Drahtbürsten oder Trennschleifen mit diesem Elektrowerkzeug durchzuführen.

Arbeiten, für die dieses Elektrowerkzeug nicht konzipiert wurde, könnten eine Gefahr darstellen, die zu Verletzungen oder Geräteschäden führen könnten.

- c) Verwenden Sie keine Zubehörteile, die nicht speziell vom Hersteller für die Verwendung mit dem Werkzeug konzipiert und empfohlen wurden.

Der Umstand, dass ein Zubehörteil an dem Elektrowerkzeug angebracht werden kann, bedeutet nicht, dass damit ein sicherer Betrieb garantiert ist.

- d) Die Nenndrehzahl des Schleifkörpers muss mindestens der maximalen auf dem Elektrowerkzeug angegebenen Drehzahl entsprechen.

Schleifkörper, die mit einer höheren Geschwindigkeit als ihrer Nenndrehzahl betrieben werden, können zerbersten und in Folge können Bruchstücke davon weggeschleudert werden.

- e) Außendurchmesser und Dicke des Schleifkörpers müssen den Maßangaben Ihres Elektrowerkzeugs entsprechen.

Falsch bemessene Schleifkörper können nicht ausreichend abgesichert oder bei Arbeit nicht ausreichend kontrolliert werden.

- f) Schleifscheiben, Flansche, Schleifteller oder anderes Zubehör müssen genau auf die Schleifspindel Ihres Elektrowerkzeugs passen.

Einsatzwerkzeuge, die nicht genau auf die Schleifspindel des Elektrowerkzeugs passen, laufen mit Unwucht, vibrieren sehr stark und können zu einem Verlust der Kontrolle über das Werkzeug führen.

- g) Benutzen Sie niemals beschädigte Schleifkörper. Überprüfen Sie vor jedem Gebrauch Einsatzwerkzeuge wie Schleifkörper auf Absplitterungen und Risse, Schleifteller auf Sprünge, Risse oder starke Abnutzung, Drahtbürsten auf lose oder gebrochene Drähte. Wenn das Elektrowerkzeug oder der Schleifkörper herunter fällt, überprüfen Sie es/ihn auf Beschädigung oder montieren Sie einen unbeschädigten Schleifkörper. Lassen Sie nach Prüfung und Montage des Schleifkörpers das Elektrowerkzeug eine Minute lang mit maximaler Leerlaufdrehzahl laufen. Achten Sie dabei darauf, dass Sie und alle anderen in der Nähe befindlichen Personen sich außerhalb der Rotationsebene des Schleifkörpers aufhalten.

Normalerweise zerbersten schadhafte Schleifwerkzeuge bei einem solchen Probelauf.

- h) Tragen Sie eine Schutzausrüstung. Benutzen Sie je nach Anwendung Gesichtsschutz oder Schutzbrille. Soweit angemessen, tragen Sie eine Staubmaske, einen Gehörschutz, Handschuhe sowie eine Arbeitsschürze, die geeignet sind, Sie vor Schleifkörper- und Werkstückteilen zu schützen.

Die Schutzbrille muss sich eignen, die bei unterschiedlichen Arbeiten weggeschleuderten Partikel abzuwehren. Die Staub- oder die Atemschutzmaske muss in der Lage sein, die bei der Arbeit entstehenden Partikel zu filtern. Eine dauerhaft hohe Lärmbelastung kann zu Gehörverlust führen.

- i) Halten Sie umstehende Personen von Ihrem Arbeitsbereich fern. Jeder, der den Arbeitsbereich betritt, muss eine Schutzausrüstung tragen.

Werkstückteilen oder Stücke geborstener Schleifkörper können weggeschleudert werden und auch außerhalb des unmittelbaren Arbeitsbereiches Verletzungen verursachen.

- j) Falls der Schleifkörper bei der Arbeit mit versteckt liegenden Leitungen oder mit der Anschlussleitung des Elektrowerkzeugs selbst in Berührung kommen kann, halten Sie das Elektrowerkzeug nur an seinen isolierten Griffflächen.

Schleifkörper, die in Kontakt mit einer spannungsführenden Leitung kommen, können die Metallteile des Elektrowerkzeugs spannungsführend machen und dem Bediener einen elektrischen Schlag versetzen.

- k) Halten Sie die Anschlussleitung des Elektrowerkzeugs stets vom drehenden Schleifkörper fern.

Schleifkörper, die in Kontakt mit einer spannungsführenden Leitung kommen, können die Metallteile des Elektrowerkzeugs spannungsführend machen und dem Bediener einen elektrischen Schlag versetzen.

- l) Legen Sie das Elektrowerkzeug niemals ab, bevor der Schleifkörper vollständig zum Stillstand gekommen ist.

Der sich drehende Schleifkörper kann in Berührung mit der Ablagefläche geraten, wodurch Sie die Kontrolle über das Elektrowerkzeug verlieren können.

- m) Lassen Sie das Elektrowerkzeug nicht laufen, während Sie es tragen.**

Der sich drehende Schleifkörper kann bei versehentlicher Berührung Ihre Kleidung erfassen und in Ihren Körper gezogen werden.

- n) Reinigen Sie regelmäßig die Lüftungsöffnungen des Elektrowerkzeugs.**

Das Motorgebläse zieht Staub in das Gehäuse. Übermäßige Ansammlungen von Metallstaub könnten zu elektrischen Gefährdungen führen.

- o) Verwenden Sie das Elektrowerkzeug nicht in der Nähe entflammbarer Materialien.**

Funken könnten diese Materialien entzünden.

- p) Verwenden Sie keine Zubehörteile, die flüssige Kühlmittel erfordern.**

Die Verwendung von Wasser oder anderen flüssigen Kühlmitteln kann zu einem elektrischen Schlag oder Schock führen.

RÜCKSCHLAG UND DAZU GEHÖRIGE SICHERHEITSHINWEISE

Rückschlag ist die plötzliche Reaktion infolge eines Verklemmens oder Verhakens eines drehenden Schleifkörpers, eines Schleiftellers oder einer Drahtbürste etc. Dieses Verklemmen oder Verhaken führt zu einem plötzlichen Stopp des rotierenden Schleifkörpers, wodurch ein unkontrolliertes Elektrowerkzeug an der Blockierstelle ruckartig gegen die Drehrichtung des Schleifkörpers bewegt wird.

Wenn beispielsweise eine Schleifscheibe im Werkstück verklemmt oder verhakt wird, kann sich die Kante der in die Blockierstelle eindringenden Schleifscheibe in die Oberfläche des Werkstücks graben, wodurch die Schleifscheibe ausbrechen oder einen Rückschlag verursachen kann. Je nach Drehrichtung der Scheibe an der Blockierstelle kann sich die Schleifscheibe dabei auf die Bedienperson zu oder von ihr weg bewegen. Schleifscheiben können unter diesen Umständen auch brechen.

Zum Rückschlag kommt es in Folge einer falschen und/oder nicht ordnungsgemäßen Verwendung des Elektrowerkzeugs. Dies kann durch geeignete Vorsichtsmaßnahmen vermieden werden, die im Folgenden beschrieben werden.

- a) Halten Sie das Elektrowerkzeug stets gut fest und bringen Sie Ihren Körper und Ihren Arm in eine Position, in der Sie mögliche Rückschlagkräfte abfangen können. Verwenden Sie immer den Zusatzgriff, falls vorhanden, um beim Hochlauf die größtmögliche Kontrolle über Rückschlagkräfte und Reaktionsmomente zu haben.**

Der Bediener kann Rückschlagkräfte oder Reaktionsmomente durch geeignete Vorsichtsmaßnahmen beherrschen.

- b) Bringen Sie Ihre Hand nie in die Nähe rotierenden Einsatzwerkzeuge.**

Das Einsatzwerkzeug könnte sich beim Rückschlag über Ihre Hand bewegen.

- c) Meiden Sie den Bereich, in den sich das Elektrowerkzeug bei einem Rückschlag bewegen würde.**

Durch den Rückschlag wird das Elektrowerkzeug ruckartig entgegen der Drehrichtung der Schleifscheibe an der Blockierstelle bewegt.

- d) Arbeiten Sie besonders vorsichtig im Bereich von Ecken und scharfen Kanten etc. Verhindern Sie, dass Einsatzwerkzeuge vom Werkstück zurückprallen und verklemmen.**

An Ecken und scharfen Kanten oder beim Abprallen neigen rotierende Einsatzwerkzeuge dazu, sich zu verklemmen, was in weiterer Folge zum Verlust der Kontrolle des Werkzeugs oder zum Rückschlag führt.

- e) Verwenden Sie kein Ketten- oder gezähntes Sägeblatt.**

Solche Einsatzwerkzeuge führen häufig zu Rückschlag oder zum Verlust der Kontrolle über das Elektrowerkzeug.

SICHERHEITSHINWEISE SPEZIELL FÜR SCHLEIFARBEITEN

- a) Benutzen Sie keine zu große Schleifpapierscheiben. Halten Sie sich bei der Auswahl des Schleifpapiers an die Empfehlungen des Herstellers.**

Bei Schleifpapierscheiben, die über die Schleifunterlage vorstehen besteht die Gefahr eines Einreißens, wodurch sich die Scheibe verfangen oder zerren kann, oder ein Rückstoß verursacht werden kann.

SICHERHEITSHINWEISE SPEZIELL FÜR POLIERARBEITEN

- a) Lassen Sie kein loses Teil der Polierkappe oder ihre Befestigungsschnüre frei mitdrehen. Stecken Sie lose Befestigungsschnüre entweder fest, oder kürzen Sie sie.**

Lose, sich mitdrehende Befestigungsschnüre können sich um Ihre Finger wickeln, oder sich am Werkstück verfangen.

VORSICHTSMASSNAHMEN BEI DER BENUTZUNG DES ELEKTRONISCHEN SCHLEIFER/POLIERER

1. Niemals eine Schleifscheibe an diesem Werkzeug anbringen und versuchen, es als Winkelschleifer zu verwenden.
2. Immer Körper-Handgriff und Seiten-Handgriff des Elektrowerkzeugs festhalten, weil sonst die entstehende Gegenkraft zu ungenauem und sogar gefährlichem Arbeiten führen kann.
3. Stellen Sie sicher, dass durch die Verwendung verursachte Funken keine Gefährdung darstellen, d. h., dass sie nicht auf Personen oder entflammables Material treffen.
4. Verwenden Sie immer Schutzbrillen und Gehörschutz, und verwenden Sie sonstige persönliche Schutzausrüstung wie Handschuhe, eine Schürze und einen Helm wie erforderlich.
5. Verwenden Sie immer Augen- und Gehörschutz. Tragen Sie sonstige persönliche Schutzausrüstung wie Handschuhe, eine Schürze und einen Helm wie erforderlich. Wenn Sie Zweifel haben, so tragen Sie die Schutzausrüstung.

TECHNISCHE DATEN

Spannung (je nach Gebiet)*	(110V, 120V, 220V, 230V, 240V) ~
Leistungsaufnahme:	1250 W*
Leerlaufdrehzahl:	0 – 3400 min ⁻¹
Umdrehungszahl	3750 min ⁻¹
Schleifpapierscheibengröße: (Außendurchmesser × Innendurchmesser)	180 × 22 mm
Gewicht (ohne Kabel, Standardzubehör)	2,8 kg

* Vergessen Sie nicht, die Produktangaben auf dem Typenschild zu überprüfen, da sich diese je nach Verkaufsgebiet ändern.

STANDARDZUBEHÖR

- (1) Gummischleifteller 1
 - (2) Schlaufenhandgriff
(mit Schraube und Beilegscheibe) 1
 - (3) Schraubenschlüssel 1
- Das Standardzubehör kann ohne vorherige Bekanntmachung jederzeit geändert werden.

ANWENDUNGSGEBIETE

- Schleifen von Metallflächen
- Vorschleifen von Metallflächen vor dem Anstrich, Rostentfernung oder Entfernung alter Farbe vor dem Wiederanstrich.
- Endbearbeitung von Holzarbeiten, Abschleifen von Vorsprüngen bei Fugen oder zusammengelegten Hölzern.
- Vorschleifen von Holzflächen vor dem Anstreichen.
- Polieren oder Glänzendmachen von gestrichenen Metallflächen, wie bei Automobilen, Zügen, Aufzügen, Kühlschränken, Nähmaschinen, Waschmaschinen, Metallvorrichtungen usw.
- Polieren lackierter Flächen bei Holzmöbeln usw.
- Glänzendmachen von Kunststoff oder Hartgummiprodukten.

VOR INBETRIEBNAHME

- 1. Netzspannung**
Prüfen, daß die zu verwendende Netzspannung der Angabe auf dem Typenschild entspricht.
ACHTUNG
Nicht mit Gleichstrom betreiben.
- 2. Netzschalter**
Prüfen, daß der Netzschalter auf „AUS“ steht. Wenn der Stecker an das Netz angeschlossen wird, während der Schalter auf „EIN“ steht, beginnt das Werkzeug sofort zu laufen, was gefährlich ist.
- 3. Verlängerungskabel**
Wenn der Arbeitsbereich nicht in der Nähe des Netzanschlusses liegt, ist ein Verlängerungskabel ausreichenden Querschnitts und ausreichender Nennleistung zu verwenden. Das Verlängerungskabel sollte so kurz wie möglich gehalten werden.
- 4. Überprüfen, ob der Verriegelungsstift eingerastet ist.**
Überprüfen, ob der Verriegelungsstift eingreift, indem Sie ihn zwei oder drei Mal vor dem Einschalten des Werkzeuges drücken. (Siehe **Abb. 3** oder **4**).

5. Befestigen des Schlaufenhandgriffs

Bringen Sie den Schlaufenhandgriff mit einer Schraube und einer Beilegscheibe an der Getriebeabdeckung an.

6. RCD

Wir empfehlen den ständigen Einsatz eines Fehlerstromschutzschalters (FI), Nennstrom bis 30 mA.

PRAKTISCHE ANWENDUNG DES ELEKTRONISCHEN SCHLEIFER/POLIERERS

Die Drehzahl nimmt mit zunehmendem Druck auf den Abzugsschalter zu. Lassen Sie zum Anhalten den Abzugsschalter los. Ziehen Sie für kontinuierlichen Betrieb den Abzugsschalter durch und drücken Sie dann auf den Verriegelungsknopf. Ziehen Sie zum Anhalten des Motors aus der verriegelten Position den Abzugsschalter ganz durch und lassen Sie ihn dann los. Die Motordrehzahl kann durch Einstellen der Wählscheibe eingestellt werden; durch Drehen der Drehscheibe in Richtung „6“ kann sie erhöht und durch Drehen der Drehscheibe in Richtung „1“ gesenkt werden. (**Abb. 1**). Die Motordrehzahl wählen, die der durchzuführenden Arbeit entspricht. Die folgende Tabelle zeigt Richtwerte für die Motordrehzahlen, entsprechend verschiedener Einsatzzwecke.

Drehscheibenanzeige	U min ⁻¹	Art der Arbeit
1	600	Polieren
2	1100	
3	1700	
4	2300	
5	2900	Schleifen
6	3400	

ACHTUNG

Die Drehscheibe kann nicht weiter als auf Stellung „6“ oder „1“ auf der Skala gedreht werden.

1. Schleifarbeit

- (1) Dieses Gerät ist so konstruiert, ausreichende Polier- (Schleif-) Kraft bei leichtem Andrücken gegen die polier-/Schleifoberfläche zu liefern. Es ist mit einer elektronischen Steuerschaltung versehen, die sicherstellt, daß der Motor bei Belastung nicht langsamer läuft. Darum ist es nicht erforderlich, die Sandschleifscheibe fest gegen die zu schleifenden Flächen zu drücken; dadurch würde der Motor nur überlastet, und die Überlastungs-Schutzschaltung

würde den Motor ausschalten. Wenn dieser Fall eintritt, das Gerät mit dem Netzschalter aus- und wieder einschalten. Dann läuft es wieder mit der richtigen Motordrehzahl.

- (2) Nicht die gesamte Fläche der Schleifpapierscheibe auf das Werkstück auflegen. Wie in **Abb. 2** gezeigt, sollte die Schleifmaschine in einem Winkel von etwa 15–25° zur Oberfläche des Werkstückes gehalten werden, so daß die Außenkante der Schleifpapierscheibe das Werkstück berührt.
- (3) Vorsichtsmaßnahme direkt nach Beendigung einer Arbeit: Nach dem Ausschalten der Schleifmaschine erst ablegen, wenn die Schleifpapierscheibe vollständig zum Stillstand gekommen ist. Durch diese Vorsichtsmaßnahme werden nicht nur ernsthafte Unfälle vermieden, sondern auch, daß Staub und Späne in die Maschine gesaugt werden.

2. Polierarbeit:

- (1) Es können sowohl gekrümmte wie ebene Flächen wirkungsvoll bearbeitet werden. Die Poliermaschine nicht übermäßig stark auf die Oberfläche des Werkstückes drücken. Das Gewicht der Poliermaschine allein reicht aus, optimale Polierwirkung zu erzielen. Übermäßiger Druck führt zu einem schlechten Oberflächenzustand und kann möglicherweise eine Überbelastung des Motors verursachen.
- (2) Die Polierscheibe, das Poliermittel oder Wachs sollten entsprechend dem Material des Werkstückes und der gewünschten Oberflächenbehandlung ausgewählt werden. Optimaler Poliereffekt läßt sich folgendermaßen erzielen:
 - Vor dem Polieren mit der Schleifmaschine mit einer feinkörnigen Schleifpapierscheibe.
 - Polieren mit der Lammfellhaube mit Poliermittel und/oder Wachs. Etwas Poliermittel und/oder Wachs auf die Oberfläche des Werkstückes auftragen und mit der Lammfellhaube polieren.

ACHTUNG

- Immer sorgfältig vermeiden, daß die Gummischlauchleitung die Wollkappe oder die Schleifscheibe beim Betrieb berührt. Wenn die Leitung diese Teile berührt, kann sie sich verfangen.
- Verwenden Sie den Arretierstift nicht zum Anhalten des Werkzeugs. Dies könnte zu einer Beschädigung des Getriebes oder der Werkzeugabtrennung führen.

ANBRINGEN UND ENTFERNEN DER SCHLEIFPAPIERSCHEIBE UND DER LAMMFELLHAUBE

1. Für Schleifarbeit (Abb. 3)

- (1) Nach dem Aufsetzen der Sandscheibe auf das Gummipolster die Unterlegmutter auf die Spindel schrauben.
- (2) Den Verriegelungsstift drücken, um sicherzustellen, daß die Spindel festsitzt, und dann die Unterlegmutter mit einem Schraubenschlüssel festziehen.
- (3) Zum Entfernen der Schleifpapierscheibe wird in umgekehrter Reihenfolge vorgegangen.

2. Für Polierarbeit (Abb. 4)

- (1) Die Unterlegmutter durch das Gummipolster einführen und in die Spindel einschrauben.
- (2) Den Verriegelungsstift drücken, um sicherzustellen, daß die Spindel festsitzt, und dann die Unterlegmutter mit einem Schraubenschlüssel festziehen.

- (3) Gemäß **Abb. 5** wird die Lammfellhaube über die Gummischleifscheibe gezogen, das Zugband wird fest angezogen und verknottet. Es ist darauf zu achten, daß die Enden des Bandes fest in die Lammfellhaube gesteckt sind, damit sie beim Polieren nicht herausfliegen.

ACHTUNG

Falsches Anbringen der Lammfellhaube kann Vibration verursachen.

- (4) Zur Entfernung der Lammfellhaube wird in umgekehrter Reihenfolge vorgegangen.

ACHTUNG

- Einen Schraubenschlüssel verwenden, um die Unterlegmutter ausreichend fest anzuziehen.
- Nach dem Loslassen des Verriegelungsstiftes sicherstellen, daß er in Normalstellung zurückgekehrt ist.

WARTUNG UND INSPEKTION

1. Inspektion der Befestigungsschrauben:

Alle Befestigungsschrauben werden regelmäßig inspiziert und geprüft, ob sie gut angezogen sind. Wenn sich eine der Schrauben lockert, muß sie sofort wieder angezogen werden. Geschieht das nicht, kann das zu erheblichen Gefahren führen.

2. Inspektion der Kohlebürsten: (Abb. 6)

Im Motor sind Kohlebürsten verwendet, die Verbrauchsteile sind.

Übermäßig abgenutzte Kohlebürsten führen zu Motor, problemen.

Deshalb wird eine Kohlebürste durch eine neue ersetzt, die dieselbe Nummer trägt wie auf der Abbildung gezeigt, wenn sie teilweise oder ganz verbraucht ist. Darüber hinaus müssen die Kohlebürsten immer sauber gehalten werden und müssen sich in der Halterung frei bewegen können.

3. Austausch einer Kohlebürste:

Der Bürstendeckel wird mit einem Steckschlüssel abmontiert. Dann kann die Kohlebürste leicht entfernt werden.

4. Wartung des Motors:

Die Motorwicklung ist das „HERZ“ des Elektrowerkzeugs. Daher ist besonders sorgfältig darauf zu achten, daß die Wicklung nicht beschädigt wird und/oder mit Öl oder Wasser in Berührung kommt.

5. Reinigung des Verriegelungsstift-Teils

Wenn der Verriegelungsstift-Teil schmutzig geworden ist, sofort reinigen.

6. Liste der Wartungsteile

- A: Punkt Nr.
- B: Code Nr.
- C: Verwendete Anzahl
- D: Bemerkungen

ACHTUNG

Reparatur, Modifikation und Inspektion von Hitachi-Elektrowerkzeugen müssen durch ein autorisiertes Hitachi-Kundendienstzentrum durchgeführt werden. Diese Teileliste ist hilfreich, wenn sie dem autorisierten Hitachi-Kundendienstzentrum zusammen mit dem Werkzeug für Reparatur oder Wartung ausgehändigt wird.

Bei Betrieb und Wartung von Elektrowerkzeugen müssen die Sicherheitsvorschriften und Normen beachtet werden.

MODIFIKATIONEN

Hitachi-Elektrowerkzeuge werden fortwährend verbessert und modifiziert, um die neuesten technischen Fortschritte einzubauen. Dementsprechend ist es möglich, daß einige Teile (z.B. Codenummern bzw. Entwurf) ohne vorherige Benachrichtigung geändert werden.

GARANTIE

Auf Hitachi-Elektrowerkzeuge gewähren wir eine Garantie unter Zugrundelegung der jeweils geltenden gesetzlichen und landesspezifischen Bedingungen. Dieses Garantie erstreckt sich nicht auf Gehäusedefekte und nicht auf Schäden, die auf Missbrauch, bestimmungswidrigen Einsatz oder normalen Verschleiß zurückzuführen sind. Im Schadensfall senden Sie das nicht zerlegte Elektrowerkzeug zusammen mit dem GARANTIESCHEIN, den Sie am Ende der Bedienungsanleitung finden, an ein von Hitachi autorisiertes Servicecenter.

ANMERKUNG

Aufgrund des ständigen Forschungs- und Entwicklungsprogramms von HITACHI sind Änderungen der hierin gemachten technischen Angaben nicht ausgeschlossen.

Information über Betriebslärm und Vibration

Die gemessenen Werte wurden entsprechend EN60745 bestimmt und in Übereinstimmung mit ISO 4871 ausgewiesen.

Der typische A-gewichtete Schalldruck ist 83 dB (A). Der typische A-gewichtete Schalleistungspegel ist 94 dB (A).

Messunsicherheit KpA: 3 dB (A)

Gehörschutz tragen.

Gesamtvibrationswerte (3-Achsen-Vektorsumme), bestimmt gemäß EN60745.

Polieren:

Vibrationsemissionswert $a_{h,P}$ = 5,6 m/s²

Messunsicherheit K = 2,2 m/s²

Schleifen:

Vibrationsemissionswert $a_{h,DS}$ = 3,8 m/s²

Messunsicherheit K = 1,5 m/s²

Die angegebenen Gesamtvibrationswerte wurden entsprechend einem standardisierten Testverfahren gemessen und können dazu verwendet werden, Werkzeuge miteinander zu vergleichen.

Außerdem können sie zur vorbereitenden Expositionseinschätzung verwendet werden.

WARNUNG

- Der Vibrationsemissionswert während der tatsächlichen Benutzung des Elektrowerkzeugs kann von dem deklarierten Gesamtwert abweichen, abhängig davon, wie das Werkzeug verwendet wird.
- Legen Sie Sicherheitsmaßnahmen zum Schutz des Bedieners fest, die auf einer Expositionseinschätzung unter den tatsächlichen Benutzungsbedingungen beruhen (unter Berücksichtigung aller Bereiche des Betriebszyklus, darunter neben der Triggerzeit auch die Zeiten, in denen das Werkzeug ausgeschaltet ist oder im Leerlaufbetrieb läuft).

AVERTISSEMENTS DE SÉCURITÉ GÉNÉRAUX CONCERNANT LES OUTILS ÉLECTRIQUES

AVERTISSEMENT

Lire tous les avertissements de sécurité et toutes les instructions.

Tout manquement à observer ces avertissements et instructions peut engendrer des chocs électriques, des incendies et/ou des blessures graves.

Conservez tous les avertissements et toutes les instructions pour vous y référer ultérieurement.

Le terme "outil électrique", utilisé dans les avertissements, se réfère aux outils électriques (câblé) ou aux outils à piles (sans fil).

1) Sécurité sur l'aire de travail

- Maintenir l'aire de travail propre et bien éclairée.**
Les endroits encombrés ou sombres sont propices aux accidents.
- Ne pas utiliser d'outils électriques en présence de liquides, gaz ou poussière inflammables, au risque de provoquer une explosion.**
Les outils électriques créent des étincelles susceptibles d'enflammer la poussière ou les vapeurs.
- Ne pas laisser les enfants et les visiteurs s'approcher de vous lorsque vous utilisez un outil électrique.**
Les distractions peuvent faire perdre le contrôle.

2) Sécurité électrique

- Les prises de l'outil électrique doivent correspondre à la prise secteur.**
Ne jamais modifier la prise.
Ne pas utiliser d'adaptateurs avec les outils électriques mis à la masse.
Les prises non modifiées et les prises secteur correspondantes réduisent les risques de choc électrique.
- Éviter tout contact avec les surfaces mises à la masse telles que les tuyaux, radiateurs, bandes et réfrigérateurs.**
Le risque de choc électrique est accru en cas de mise à la masse du corps.
- Ne pas exposer les outils électriques à la pluie ou à des conditions humides.**
Si l'eau pénètre dans l'outil, cela augmente les risques de choc électrique.
- Ne pas utiliser le cordon à tort. Ne jamais utiliser le cordon pour transporter ou débrancher l'outil électrique.**
Maintenir le cordon loin de la chaleur, de l'huile, des bords pointus ou des pièces mobiles.
Les cordons endommagés ou usés augmentent les risques de choc électrique.
- En cas d'utilisation d'un outil électrique à l'extérieur, utiliser un cordon de rallonge adapté à un usage extérieur.**
L'utilisation d'un cordon adapté à l'usage extérieur réduit les risques de choc électrique.
- Si vous devez utiliser un outil électrique dans un endroit humide, utilisez une alimentation protégée contre les courants résiduels.**
L'utilisation d'un dispositif de protection contre les courants résiduels réduit le risque de choc électrique.

3) Sécurité personnelle

- Restez alerte, regarder ce que vous faites et usez de votre bon sens en utilisant un outil électrique.**
Ne pas utiliser d'outil électrique si vous êtes sous l'influence de drogues, d'alcool ou de médicaments.

Pendant l'utilisation d'outils électrique, un instant d'inattention peut entraîner des blessures graves.

- Utiliser un équipement de protection individuelle. Toujours porter des verres de protection.**
L'utilisation d'équipements de protection tels que les masques anti-poussière, les chaussures de sécurité anti-dérapantes, les casques ou les protections auditives dans des conditions appropriées réduisent les risques de blessures.
- Empêcher les démarrages intempestifs. Veiller à ce que l'interrupteur soit en position d'arrêt avant de brancher à une source d'alimentation et/ou une batterie, de ramasser l'outil au sol ou de le transporter.**
Transporter les outils électriques avec le doigt sur l'interrupteur ou brancher les outils électriques avec l'interrupteur en position de marche peut entraîner des accidents.
- Retirer toute clé de sécurité ou clé avant de mettre l'outil électrique en marche.**
Laisser une clé ou une clé de sécurité sur une partie mobile de l'outil électrique peut engendrer des blessures.
- Ne pas trop se pencher. Toujours garder une bonne assise et un bon équilibre pendant le travail.**
Cela permet un meilleur contrôle de l'outil électrique dans des situations imprévisibles.
- Porter des vêtements adéquats. Ne pas porter de vêtements amples ni de bijoux. Maintenir les cheveux, les vêtements et les gants loin des pièces mobiles.**
Les vêtements amples ou les cheveux longs peuvent se prendre dans les pièces mobiles.
- En cas de dispositifs destinés au raccordement d'installations d'extraction et de recueil de la poussière, veiller à ce qu'ils soient correctement raccordés et utilisés.**
L'utilisation d'un dispositif de collecte de la poussière peut réduire les dangers associés à la poussière.
- Utilisation et entretien d'un outil électrique**
 - Ne pas forcer sur l'outil électrique. Utiliser l'outil électrique adapté à vos travaux.**
Le bon outil électrique fera le travail mieux et en toute sécurité au régime pour lequel il a été conçu.
 - Ne pas utiliser l'outil électrique si l'interrupteur ne le met pas en position de marche et d'arrêt.**
Tout outil ne pouvant être contrôlé par l'interrupteur est dangereux et doit être réparé.
 - Débrancher la prise et/ou la batterie avant de procéder à des réglages, au remplacement des accessoires ou au stockage des outils électriques.**
Ces mesures préventives de sécurité réduisent les risques de démarrage accidentel de l'outil électrique.
 - Stockez les outils électriques inutilisés hors de la portée des enfants et ne pas laisser des personnes non familiarisées avec l'outil ou ces instructions utiliser l'outil électrique.**
Les outils électriques sont dangereux entre les mains d'utilisateurs non habilités.
 - Entretien des outils électriques. Vérifier l'absence de mauvais alignement ou d'arrêt, d'endommagement de pièces ou toute autre condition susceptible d'affecter l'opération de l'outil.**
Si l'outil est endommagé, le faire réparer avant utilisation.
De nombreux accidents sont dus à des outils mal entretenus.

- f) **Maintenir les outils coupants aiguisés et propres.**
Des outils coupants bien entretenus avec des bords aiguisés sont moins susceptibles de se coincer et plus simples à contrôler.
- g) **Utiliser l'outil électrique, les accessoires et les mèches de l'outil, etc. conformément à ces instructions en tenant compte des conditions d'utilisation et du travail à réaliser.**
L'utilisation de l'outil électrique pour des opérations différentes de celles pour lesquelles il a été conçu est dangereuse.

5) Service

- a) **Faire entretenir l'outil électrique par un technicien habilité à l'aide de pièces de rechange identiques exclusivement.**
Cela garantira le maintien de la sécurité de l'outil électrique.

PRECAUTIONS

Maintenir les enfants et les personnes infirmes éloignés.
 Lorsque les outils ne sont pas utilisés, ils doivent être rangés hors de portée des enfants et des personnes infirmes.

AVERTISSEMENTS DE SÉCURITÉ COMMUNS AUX OPÉRATIONS DE PONÇAGE OU DE POLISSAGE

- a) **Cet outil électrique est conçu pour une utilisation en tant que perceuse ou polisseuse. Lisez tous les avertissements, instructions, illustrations et spécifications accompagnant le présent outil.**
L'observation des instructions énumérées ci-dessous peut entraîner un choc électrique, un incendie et/ou une blessure grave.
- b) **Les opérations telles que le meulage, le brossage métallique ou la découpe ne sont pas recommandées à l'aide du présent appareil.**
Toute utilisation de cet appareil à une fin autre que celles prévues est dangereuse et peut provoquer une blessure corporelle.
- c) **N'utilisez pas d'accessoires autres que ceux spécifiquement désignés et recommandés par le fabricant.**
Le fait de pouvoir fixer un accessoire sur l'appareil ne signifie pas que son utilisation est sécurisée.
- d) **La vitesse nominale de l'appareil doit être au moins égale à la vitesse maximale indiquée sur l'outil électrique.**
Les accessoires utilisés à une vitesse supérieure à la vitesse nominale peuvent se briser et se détacher.
- e) **Le diamètre extérieur et l'épaisseur de votre accessoire doivent être inférieurs à la capacité nominale de votre outil électrique.**
Les accessoires de taille incorrecte ne peuvent être correctement protégés ou contrôlés.
- f) **La taille d'ancrage des roues, brides, plaques ou autres accessoires doit être adaptée à l'arbre de l'outil électrique.**
Les accessoires comprenant des orifices d'ancrage qui ne correspondent pas au matériel de montage de l'outil électrique seront déséquilibrés, entraînant des vibrations excessives pouvant aboutir à une perte de contrôle.
- g) **N'utilisez pas d'accessoire endommagé. Avant chaque utilisation, vérifiez que l'accessoire (par exemple les meules) n'est pas ébréché, craquelé ou défectueux, que la plaque n'est pas fissurée ou usée, et que la brosse est bien fixée et en bon état. Si l'outil électrique ou l'accessoire est tombé, vérifiez qu'il n'est pas endommagé ou installez un accessoire en bon état. Après avoir vérifié l'accessoire ou en avoir installé un nouveau, restez à l'écart de l'accessoire et faites tourner l'outil à vide pendant une minute à vitesse maximale.**
Si les accessoires sont endommagés, ils se cassent pendant ce test.
- h) **Portez un équipement de protection individuelle. Selon l'application, utilisez un masque ou des lunettes de sécurité. Si besoin, portez un masque anti-poussière, des protecteurs d'oreille, des gants et un tablier capable d'arrêter les petits fragments abrasifs.**
La protection oculaire doit être capable d'arrêter les projections de débris générés au cours des différentes opérations. Le masque à poussière et le respirateur doivent être capables de filtrer les particules générées par votre opération. Une exposition prolongée à des bruits de haute intensité peut entraîner une perte d'audition.
- i) **Toutes les personnes à proximité doivent rester à distance de l'aire de travail. Toute personne entrant dans l'aire de travail doit porter un équipement de protection individuelle.**
Les fragments de pièce usinée ou d'accessoire brisé peuvent être projetés au delà de la zone d'opération immédiate et provoquer une blessure.
- j) **Maintenez l'outil électrique uniquement par les surfaces isolées lorsque vous effectuez une opération au cours de laquelle l'accessoire peut entrer en contact avec des câbles ou son propre câble d'alimentation.**
Si l'accessoire de découpe entre en contact avec un câble sous tension, les pièces métalliques de l'outil électrique risquent de transmettre le courant et d'infliger une décharge électrique à l'opérateur.
- k) **Éloignez le cordon de l'accessoire en rotation.**
Si vous perdez le contrôle, le cordon risque d'être découpé, et vous risquez de vous coincer le main ou le bras dans l'accessoire en rotation.
- l) **Ne posez jamais l'outil électrique avant l'arrêt complet de l'accessoire.**
L'accessoire en rotation risque d'accrocher la surface et de vous faire perdre le contrôle de l'outil électrique.
- m) **Ne faites pas tourner l'outil électrique pendant que vous le transportez à la main.**
L'accessoire en rotation risque d'accrocher vos vêtements ou de vous blesser.
- n) **Nettoyez régulièrement les événements de l'outil électrique.**
Le ventilateur du moteur risque d'attirer la poussière à l'intérieur du logement et l'accumulation excessive de métaux en poudre risque de provoquer un court-circuit.
- o) **N'utilisez pas l'outil électrique à proximité de matériaux inflammables.**
Ces matériaux risquent de prendre feu sous l'effet des étincelles.

- p) **N'utilisez pas d'accessoires nécessitant des liquides de refroidissement.**

L'usage d'eau ou d'autres liquides de refroidissement peut entraîner une électrocution ou un choc électrique.

RECU DE L'APPAREIL ET AVERTISSEMENTS ASSOCIÉS

Le recul est une réaction soudaine provoquée par le pincement ou le coincement d'une meuleuse, d'une plaque, d'une brosse ou autre type d'accessoire. L'accessoire en rotation cale alors rapidement, ce qui projette l'outil électrique dans la direction opposée à la rotation de l'accessoire.

Par exemple, si une meule est coincée par la pièce à usiner, le rebord de la meule entrant dans le point de pincement peut accrocher la surface du matériau, entraînant un déchaussement de la meule. La meule peut alors dévier de sa trajectoire, vers l'opérateur ou dans la direction opposée, selon la direction de la meule au point de pincement. Les meules abrasives risquent de se briser.

Le recul est le résultat d'une utilisation abusive de l'outil électrique et/ou de l'inobservation des procédures d'utilisation. Il peut être évité en suivant les quelques précautions indiquées ci-dessous.

- a) **Maintenez fermement l'outil électrique et positionnez-vous de manière à résister aux reculs. Utilisez toujours la poignée auxiliaire, si prévue sur l'appareil, afin de contrôler au mieux ou recul ou la réaction de couple au cours du démarrage.**

L'opérateur peut contrôler les réactions de couple ou les forces de recul s'il prend les précautions adéquates.

- b) **Ne placez jamais votre main à proximité de l'accessoire en rotation.**

En reculant, l'accessoire peut blesser votre main.

- c) **Ne placez pas votre corps dans la zone de recul de l'appareil.**

Le recul propulse l'outil dans la direction opposée au mouvement de la meule au point de pincement.

- d) **Faites particulièrement attention lorsque vous travaillez sur des coins ou des rebords tranchants, etc. Évitez de faire rebondir l'accessoire et de coincer.**

Les coins, rebords tranchants ou les rebonds ont tendance à coincer l'accessoire en rotation, provoquant une perte de contrôle ou un recul.

- e) **Ne fixez pas de scie à chaîne, de lame à sculpter ou autre lame de scie à dents.**

Ces lames sont souvent à l'origine de retours et de pertes de contrôle.

AVERTISSEMENTS DE SÉCURITÉ SPÉCIFIQUES AUX OPÉRATIONS DE PONÇAGE

- a) **N'utilisez pas de disque de ponçage de taille trop importante.**

Respectez toujours les recommandations du fabricant lors de la sélection du papier de verre. Si le papier de verre est trop grand et dépasse du tampon il risque de se lacérer et d'entraîner un déchaussement ou une déchirure du disque, ou encore un mouvement de recul.

AVERTISSEMENTS DE SÉCURITÉ SPÉCIFIQUES AUX OPÉRATIONS DE POLISSAGE

- a) **Ne laissez aucune partie de la coiffe à polir ni aucune corde de fixation tourner librement.**

Rabattez ou coupez toutes les cordes de fixation qui dépassent.

Les cordes de fixation libres en rotation risquent de s'emmêler autour de vos doigts ou de s'accrocher à la pièce à usiner.

PRECAUTIONS POUR L'UTILISATION DE LA POLISSEUSE/LUSTREUSE ELECTRONIQUE

1. Ne jamais monter de meule et ne jamais essayer d'utiliser cet outil comme meuleuse.
2. Maintenir toujours fermement la poignée principale et la poignée latérale de la machine. Dans le cas contraire, la force de recul peut amoindrir la précision de travail et présenter aussi quelque danger.
3. Veiller à ce que les étincelles résultant de l'utilisation ne posent pas de risque de danger, par ex. qu'elles ne heurtent pas des personnes ou ne mettent pas le feu à des substances inflammables.
4. Toujours porter des lunettes de sécurité et des protections anti-bruit, et utiliser des accessoires de protection personnelle comme des gants, un tablier et un casque si nécessaire.
5. Toujours utiliser des protections pour les yeux et les oreilles.

Au besoin, on portera également des accessoires de protection personnelle comme un masque à poussière, des gants, un casque et un tablier si nécessaire.

En cas de doute, porter des accessoires de protection.

SPECIFICATIONS

Tension (par zone)*	(110V, 120V, 220V, 230V, 240V) ~
Puissance	1250 W*
Vitesse sans charge	0 – 3400 min ⁻¹
Vitesse nominale	3750 min ⁻¹
Dimension du disque de ponçage	180 × 22 mm
Poids (sans fil, accessoires standard)	2,8 kg

* Assurez-vous de vérifier la plaque signalétique sur le produit qui peut changer suivant les régions.

ACCESSOIRES STANDARD

- (1) Coussinet en caoutchouc..... 1
 - (2) Poignée à boucle (avec boulon et rondelle) 1
 - (3) Clé à tige 1
- Les accessoires standard sont sujets à changement sans préavis.

APPLICATION

- Rectification de surfaces métalliques
- Ponçage préliminaire de surfaces métalliques avant peinture, enlèvement de la rouille, enlèvement de vieille peinture avant nouvelle opération de peinture.
- Finition de travaux sur bois, rectification de saillies de morceaux de bois venant de jonctions ou assemblages.
- Ponçage préliminaire de surfaces en bois avant application de peinture.
- Polissage ou lustrage de surfaces métalliques peintes, sur par exemple automobiles, trains, ascenseurs, réfrigérateurs, machines à coudre, machines à laver appareils métalliques etc.
- Polissage de surfaces vernies de meubles en bois etc.
- Lustrage de résine synthétique ou produits en ébonite.

AVANT LA MISE EN MARCHÉ

1. Source de puissance

S'assurer que la source de puissance à utiliser correspond à la puissance indiquée sur la plaque signalétique du produit.

ATTENTION

Ne pas faire fonctionner l'appareil sur courant continu.

2. Interrupteur de puissance

S'assurer que l'interrupteur de puissance est en position ARRET. Si la fiche est branchée alors que l'interrupteur est sur MARCHÉ, l'outil démarre immédiatement et peut provoquer un grave accident.

3. Fil de rallonge

Lorsque la zone de travail est éloignée de la source de puissance, utiliser un fil de rallonge d'une épaisseur suffisante et d'une capacité nominale suffisante. Le fil de rallonge doit être aussi court que possible.

4. S'assurer de la position de la goupille de verrouillage

S'assurer que la goupille de verrouillage est désengagée en poussant celle-ci deux ou trois fois avant de commuter l'outil sur marche. (voir Fig. 3, 4)

5. Fixation de la poignée à boucle

Fixer la poignée simple avec un boulon et une rondelle sur le couvercle du réducteur.

6. RCD

Il est recommandé de toujours utiliser un disjoncteur avec un courant résiduel de 30 mA ou moins.

FUNCTIONNEMENT DE LA POLISSEUSE/ LUSTREUSE ELECTRONIQUE

Pour augmenter la vitesse du moteur, accroître la pression sur la gâchette.

Relâcher la gâchette pour arrêter. Pour un fonctionnement continu, tirer sur la gâchette et appuyer sur le bouton de verrouillage. Pour arrêter le moteur depuis la position verrouillée, tirer à fond sur la gâchette, puis la relâcher.

Il est possible de faire varier la vitesse du moteur en faisant tourner le cadran. Si l'on fait tourner celui-ci vers "6", la vitesse augmente, tandis que si l'on le tourne vers "1", la vitesse décroît (Fig. 1). Choisir la vitesse en fonction du travail à exécuter.

Le tableau suivant indique les vitesses correspondant à chaque indication sur le cadran gradué, ainsi que le type de travail approprié.

Indication du cadran	R min ⁻¹	Types de travaux
1	600	Polissage
2	1100	
3	1700	
4	2300	Lustrage
5	2900	
6	3400	

ATTENTION

Ne pas tenter de faire tourner le cadran gradué au-delà des positions "6" et "1".

1. Fonctionnement comme ponceuse

(1) Cet appareil est conçu pour fournir une puissance de polissage (lustrage) suffisante lorsque le disque est légèrement appuyé sur la surface à polir/lustrer. L'outil équipé d'un circuit de contrôle électronique qui assure une vitesse stable du moteur, même lorsque celui-ci est chargé. Par conséquent, il est inutile d'appuyer fortement le disque sur la surface. Une telle action provoquerait, en effet, une surcharge du moteur et par conséquent, provoquerait le déclenchement du circuit de protection du moteur, qui couperait l'alimentation de ce dernier. Si le cas se présente, commuter l'interrupteur d'alimentation sur arrêt, puis le recommuter sur marche; la rotation reprend à la vitesse correcte.

(2) Ne pas appliquer la surface entière du disque sur la surface de la pièce travaillée. Suivant la Fig. 2, la ponceuse doit être tenue à un angle d'environ 15° à 25° par rapport à la surface de la pièce de manière à ce que la périphérie de la ponceuse soit en contact avec la pièce.

(3) Précaution à prendre aussitôt après la fin d'une opération: Une fois l'interrupteur mis sur ARRET, ne pas poser la ponceuse avant l'arrêt complet du disque. Cette précaution permettra d'éviter un accident grave, mais réduira aussi la quantité de poussière et de copeaux de métal aspirée par la machine.

2. Fonctionnement comme polisseuse:

(1) On peut finir ainsi les surfaces courbes et les surfaces plates de manière efficace. Ne pas appuyer la polisseuse trop fort contre la surface de la pièce travaillée. On peut obtenir un polissage efficace avec le seul poids de la polisseuse. Une pression excessive peut conduire à un mauvais fini et provoquer une surcharge du moteur.

- (2) Le disque de ponçage, le composé ou la cire de polissage doivent être choisis en fonction du matériau de la pièce travaillée et du fini de surface souhaité. On obtient un polissage maximal en suivant la méthode suivante:
- Polissage préliminaire avec la ponceuse en utilisant un disque de ponçage à grain fin.
 - Polissage avec le bonnet en laine en utilisant un composé et/ou une cire de polissage. Appliquer une petite quantité du composé et/ou de la cire sur la surface de la pièce travaillée et polir avec le bonnet en

ATTENTION

- S'assurer que le câble souple caoutchouc n'entre pas en contact le bonnet de laine ou le disque de lustrage, pendant le fonctionnement de l'outil. En effet, si ce câble entre en contact, il peut s'emmêler.
- Ne pas utiliser la tige de verrouillage comme frein pour arrêter l'outil, car cela risque d'endommager l'engrenage ou l'accessoire de ce dernier.

MONTAGE ET DEMONTAGE DU DISQUE DE PONÇAGE ET DU BONNET DE LAINE

1. Fonctionnement comme ponceuse (Fig. 3)

- (1) Après avoir placé le disque abrasif sur le coussinet en caoutchouc, enfiler l'écrou rondelle à collerette sur l'axe.
- (2) Appuyer sur la goupille de verrouillage pour maintenir l'axe en place et serrer l'écrou avec une clé.
- (3) Pour enlever le disque de ponçage, suivre ces instructions en sens inverse.

2. Fonctionnement comme polisseuse (Fig. 4)

- (1) Introduire l'écrou à collerette à travers le coussinet en caoutchouc et l'enfiler sur l'axe.
- (2) Appuyer sur la coupille de verrouillage pour maintenir l'axe en place et serrer l'écrou avec une clé.
- (3) Suivant la Fig. 5, envelopper le coussinet en caoutchouc avec le capuchon du bonnet en laine et l'attacher fermement en serrant et nouant son cordon. S'assurer que la partie restante du cordon est bien rentrée sous le bonnet en laine de manière à ce qu'elle ne sorte pas lors du polissage.

ATTENTION

Un mauvais accrochage du bonnet en laine peut provoquer des vibrations.

- (4) Pour enlever le bonnet en laine, suivre ces instructions en sens inverse.

ATTENTION

- Utiliser une clé pour pouvoir serrer suffisamment l'écrou.
- Après avoir libéré la goupille de verrouillage, s'assurer qu'elle est revenue à sa position originale.

ENTRETIEN ET CONTROLE

1. Contrôle des vis de montage:

Vérifier régulièrement les vis de montage et s'assurer qu'elles sont correctement serrées. Resserrer immédiatement toute vis desserrée. Sinon, il y a danger sérieux.

2. Contrôle des balais en carbone: (Fig. 6)

Le moteur utilise des balais en carbone qui sont des pièces qui s'usent. Comme un balai en carbone trop usé peut détériorer le moteur, le remplacer par un nouveau du même No. que celui montré à la figure quand il est usé ou à la limite d'usure. En outre, toujours tenir les balais propres et veiller à ce qu'ils coulissent librement dans les supports.

3. Remplacement d'un balai en carbone:

Démontez le capuchon du balai avec un tournevis à petite tête. Le balai en carbone peut se retirer facilement.

4. Entretien du moteur:

Le bobinage de l'ensemble moteur est le "cœur" même de l'outil électro-portatif. Veiller soigneusement à ce que ce bobinage ne soit pas endommagé et/ou mouillé par de l'huile ou de l'eau.

5. Nettoyage de la goupille de verrouillage

Si la section de cette goupille de verrouillage s'encrasse, la nettoyer sans attendre.

6. Liste des pièces de rechange

- A: No. élément
- B: No. code
- C: No. utilisé
- D: Remarques

ATTENTION

Les réparations, modifications et inspections des outils électriques Hitachi doivent être confiées à un service après-vente Hitachi agréé.

Il sera utile de présenter cette liste de pièces au service après-vente Hitachi agréé lorsqu'on apporte un outil nécessitant des réparations ou tout autre entretien.

Lors de l'utilisation et de l'entretien d'un outil électrique, respecter les règlements et les normes de sécurité en vigueur dans le pays en question.

MODIFICATIONS

Les outils électriques Hitachi sont constamment améliorés et modifiés afin d'incorporer les tous derniers progrès technologiques.

En conséquence, il est possible que certaines pièces (c.-à-d. no. de code et/ou dessin) soient modifiées sans avis préalable.

GARANTIE

Nous garantissons que l'ensemble des Outils électriques Hitachi sont conformes aux réglementations spécifiques statutaires/nationales. Cette garantie ne couvre pas les défauts ni les dommages inhérents à une mauvaise utilisation, une utilisation abusive ou l'usure et les dommages normaux. En cas de réclamation, veuillez envoyer l'Outil électrique, en l'état, accompagné du CERTIFICAT DE GARANTIE qui se trouve à la fin du Mode d'emploi, dans un service d'entretien autorisé.

REMARQUE

Par suite du programme permanent de recherche et de développement HITACHI, ces spécifications peuvent faire l'objet de modifications sans avis préalable.

Au sujet du bruit et des vibrations

Les valeurs mesurées ont été déterminées en fonction de la norme EN60745 et déclarées conforme à ISO 4871.

Le niveau de pression acoustique pondéré A est de 83 dB (A).

Le niveau de puissance sonore pondérée A type est de 94 dB (A).

Incertitude KpA: 3 dB (A)

Porter des protections anti-bruit.

Valeurs totales des vibration (somme vectorielle triaxiale) déterminée conformément à EN60745.

Polissage:

Valeur d'émission de vibration $a_{h,p} = 5,6 \text{ m/s}^2$

Incertitude K = 2,2 m/s²

Lustrage:

Valeur d'émission de vibration $a_{h,DS} = 3,8 \text{ m/s}^2$

Incertitude K = 1,5 m/s²

La valeur totale des vibrations a été mesurée par une méthode d'essai standard et peut être utilisée pour comparer un outil à un autre.

Elle peut également être utilisée pour une évaluation préliminaire du niveau d'exposition.

AVERTISSEMENT

- La valeur d'émission de vibration en fonctionnement de l'outil électrique peut être différente de la valeur totale déclarée, en fonction des utilisations de l'outil.
- Identification les mesures de protection de l'utilisateur fondées sur une estimation de l'exposition en conditions d'utilisation (tenant compte de tous les aspects du cycle d'utilisation, tels que les moments où l'outil est mis hors tension ou lorsqu'il tourne à vide en plus des temps de déclenchements).

AVVERTIMENTI GENERALI DI SICUREZZA SUGLI UTENSILI ELETTRICI

⚠ AVVERTENZA

Leggere tutti gli avvertimenti di sicurezza e tutte le istruzioni.

La mancata osservanza degli avvertimenti e delle istruzioni potrebbe essere causa di scosse elettriche, incendi e/o gravi lesioni.

Salvare tutti gli avvertimenti e le istruzioni per riferimenti futuri.

Il termine "elettroutensili" riportato nelle avvertenze si riferisce agli elettroutensili azionati con alimentazione di rete (via cavi) o a batterie (senza cavi).

1) Sicurezza dell'area operativa

- a) **Mantenere l'area operativa pulita e ordinata.**
Aree operative sporche o disordinate possono favorire gli infortuni.
- b) **Non utilizzare gli elettroutensili in atmosfere esplosive, ad es. in presenza di liquidi, gas o polveri infiammabili.**
Gli elettroutensili generano delle scintille che potrebbero accendere la polvere o i fumi.
- c) **Tenere lontani bambini e astanti durante l'utilizzo degli elettroutensili.**
Qualsiasi distrazione può essere causa di perdita di controllo.

2) Sicurezza elettrica

- a) **Le spine degli elettroutensili devono essere idonee alle prese disponibili.**
Non modificare mai le prese.
Con gli elettroutensili a massa (messi a terra), non utilizzare alcun adattatore.
L'utilizzo di spine intatte e corrispondenti alle prese disponibili ridurrà il rischio di scosse elettriche.
- b) **Evitare qualsiasi contatto con le superfici a massa o a terra, quali tubi, radiatori, fornelli e frigoriferi.**
In caso di messa a terra o massa del corpo, sussiste un maggior rischio di scosse elettriche.
- c) **Non esporre gli elettroutensili alla pioggia o all'umidità.**
La penetrazione di acqua negli elettroutensili aumenterà il rischio di scosse elettriche.
- d) **Non tirare il cavo. Non utilizzarlo per il trasporto, o per tirare o scollegare l'elettroutensile.**
Tenere il cavo lontano da fonti di calore, oli, bordi appuntiti o parti in movimento.
Cavi danneggiati o attorcigliati possono aumentare il rischio di scosse elettriche.
- e) **Durante l'uso degli elettroutensili all'esterno, utilizzare una prolunga idonea per usi esterni.**
L'utilizzo di cavi per esterno riduce il rischio di scosse elettriche.
- f) **Se è impossibile evitare l'impiego di un utensile elettrico in un luogo umido, utilizzare l'alimentazione protetta da un dispositivo a corrente residua (RCD).**
L'uso di un RCD riduce il rischio di scosse elettriche.

3) Sicurezza personale

- a) **Durante l'uso degli elettroutensili, state all'erta, verificate ciò che state eseguendo e adottate sempre il buon senso.**
Non utilizzate gli elettroutensili qualora siate stanchi, sotto l'influenza di farmaci, alcol o cure mediche.
Anche un attimo di disattenzione durante l'uso degli elettroutensili potrebbe essere causa di gravi lesioni personali.
- b) **Indossate l'attrezzatura di protezione personale.**
Indossate sempre le protezioni oculari.
L'attrezzatura protettiva, quali maschera facciale, calzature antiscivolo, caschi o protezioni oculari ridurrà il rischio di lesioni personali.

- c) **Impedite le accensioni involontarie.** Prima del collegamento a una sorgente di alimentazione e/o pacco batteria e prima di raccogliere o trasportare l'utensile, verificate che l'interruttore sia posizionato su OFF.
Il trasporto degli elettroutensili tenendo le dita sull'interruttore o l'attivazione elettrica degli utensile che hanno l'interruttore su ON, implica il rischio di incidenti.
 - d) **Prima di attivare l'elettroutensile, rimuovete qualsiasi chiave di regolazione.**
Lasciando la chiave in un componente in rotazione dell'elettroutensile, sussiste il rischio di lesioni personali.
 - e) **Mantenersi in equilibrio. Mantenersi sempre su due piedi, in equilibrio stabile.**
Ciò consente di controllare al meglio l'elettroutensile in caso di situazioni impreviste.
 - f) **Vestirsi in modo adeguato. Non indossare abiti larghi o gioielli. Tenere i capelli, gli abiti e i guanti lontano dalle parti in movimento.**
Abiti allentati, gioielli e capelli lunghi potrebbero impigliarsi nelle parti in movimento.
 - g) **In caso di dispositivi provvisti di collegamento ad apparecchiature di rimozione e raccolta polveri, verificare che queste siano collegate e utilizzate in modo adeguato.**
L'utilizzo della raccolta della polvere può ridurre i rischi connessi alle polveri.
- #### 4) Utilizzo e manutenzione degli elettroutensili
- a) **Non utilizzare elettroutensili non idonei.** Utilizzare l'elettroutensile idoneo alla propria applicazione.
Utilizzando l'elettroutensile corretto, si garantirà un'esecuzione migliore e più sicura del lavoro, alla velocità di progetto.
 - b) **Non utilizzare l'elettroutensile qualora non sia possibile accenderlo/spengerlo tramite l'interruttore.**
È pericoloso utilizzare elettroutensili che non possano essere azionati dall'interruttore. Provvedere alla relativa riparazione.
 - c) **Prima di effettuare qualsiasi regolazione, sostituire gli accessori o depositare gli elettroutensili, scollegare la spina dalla presa elettrica e/o il pacco batteria dall'utensile elettrico.**
Queste misure di sicurezza preventive riducono il rischio di avvio involontario dell'elettroutensile.
 - d) **Depositare gli elettroutensili non utilizzati lontano dalla portata dei bambini ed evitare che persone non esperte di elettroutensili o non a conoscenza di quanto riportato sulle presenti istruzioni azionino l'elettroutensile.**
È pericoloso consentire che utenti non esperti utilizzino gli elettroutensili.
 - e) **Manutenzione degli elettroutensili.** Verificare che non vi siano componenti in movimento disallineati o bloccati, componenti rotti o altre condizioni che potrebbero influenzare negativamente il funzionamento dell'elettroutensile.
In caso di guasti, provvedere alla riparazione dell'elettroutensile prima di riutilizzarlo.
Molti incidenti sono causati da una scarsa manutenzione.
 - f) **Mantenere gli strumenti di taglio affilati e puliti.**
Gli strumenti di taglio in condizioni di manutenzione adeguata, con bordi affilati, sono meno soggetti al bloccaggio e sono più facilmente controllabili.
 - g) **Utilizzare l'elettroutensile, gli accessori, le barrette, ecc. in conformità a quanto riportato nelle presenti istruzioni, tenendo in debita considerazione le condizioni operative e il tipo di lavoro da eseguire.**
L'uso dell'utensile elettrico per operazioni diverse da quelle previste potrebbe causare una situazione pericolosa.

- 5) Assistenza
 a) Affidate le riparazioni dell'elettrotensile a persone qualificate che utilizzino solamente parti di ricambio identiche.
Ciò garantirà il mantenimento della sicurezza dell'elettrotensile.

PRECAUZIONI

Tenere lontano dalla portata di bambini e invalidi.
 Quando non utilizzati, gli strumenti dovranno essere depositi lontano dalla portata di bambini e invalidi.

AVVERTIMENTI DI SICUREZZA COMUNI PER LE OPERAZIONI DI LEVIGATURA O LUCIDATURA

- a) Questo utensile ha lo scopo di funzionare come levigatrice o lucidatrice. Leggere tutti gli avvertimenti di sicurezza, istruzioni e specifiche in dotazione con il presente utensile elettrico.

La mancata osservanza di tutte le istruzioni elencate di seguito può risultare in scosse elettriche, incendio e/o lesioni gravi.

- b) L'esecuzione di operazioni come la smerigliatura, la spazzolatura metallica o il taglio non è consigliabile con questo utensile elettrico.

Le operazioni per le quali l'utensile elettrico non è stato progettato possono creare un pericolo e causare lesioni personali.

- c) Non utilizzate accessori che non siano specificamente progettati e raccomandati dal produttore dell'utensile.

Il solo fatto che l'accessorio possa essere fissato all'utensile elettrico non significa che ne garantisca un funzionamento sicuro.

- d) La velocità nominale dell'accessorio deve essere almeno uguale alla velocità massima contrassegnata sull'utensile elettrico.

Gli accessori utilizzati ad una velocità superiore a quella nominale si possono rompere e sgretolarsi in volo.

- e) Il diametro esterno e lo spessore del vostro accessorio deve rientrare entro la capacità nominale dell'utensile elettrico.

Gli accessori dalle dimensioni errate non possono essere adeguatamente protetti o controllati.

- f) La dimensione del mandrino di mole, flangie, platorelli di supporto o di qualsiasi altro accessorio deve corrispondere esattamente all'asse dell'utensile elettrico.

Gli accessori con i fori del mandrino che non corrispondono alla struttura di montaggio dell'utensile elettrico esauriranno l'equilibrio, vibreranno eccessivamente e potrebbero causare la perdita del controllo.

- g) Non usate accessori danneggiati. Prima di ciascun utilizzo, ispezionate l'accessorio come le mole abrasive per controllare la presenza di schegge e crepe, la presenza di crepe, lacerazioni o eccessiva usura nel platorello di supporto, la presenza di cavi allentati o incrinati nella spazzola di metallo. Se l'utensile elettrico o l'accessorio viene fatto cadere, esaminare la presenza di eventuali danni o installare un accessorio non danneggiato. Dopo aver ispezionato e installato un accessorio, posizionate voi stessi e gli eventuali passanti lontano dal piano dell'accessorio rotante e utilizzate l'utensile elettrico alla velocità a vuoto massima per un minuto.

Gli accessori danneggiati normalmente si sgretoleranno durante questo periodo di prova.

- h) Indossate apparecchiature di protezione personale. A seconda dell'applicazione, utilizzate una visiera e occhiali di sicurezza. A seconda delle necessità, indossate una maschera per la polvere, protezioni per l'udito, guanti e un grembiule in grado di fermare frammenti abrasivi o di lavorazione.

La protezione oculare deve essere in grado di fermare i detriti volanti generati dalle varie operazioni. La maschera per la polvere o il respiratore deve essere in grado di filtrare le particelle generate dall'operazione. L'esposizione prolungata al rumore di elevata intensità può causare la perdita dell'udito.

- i) Tenete i passanti a distanza di sicurezza dalla zona di lavoro. Chiunque entra nella zona di lavoro deve indossare apparecchiature di protezione personale.

I frammenti del pezzo da lavorare o di un accessorio rotto possono volare via e causare lesioni al di là dell'immediata zona di lavorazione.

- j) Tenete l'utensile elettrico solo per le superfici di afferraggio isolate, quando eseguite un'operazione dove l'accessorio di taglio può entrare a contatto con del cablaggio nascosto o con il proprio cavo.

L'accessorio di taglio, a contatto con un cavo sotto tensione, può mettere sotto tensione le parti metalliche esposte dell'utensile elettrico e provocare una scossa all'operatore.

- k) Posizionate il cavo lontano dall'accessorio rotante.

Se perdetevi il controllo, il cavo potrebbe essere tagliato o impigliato e potrebbe tirare la vostra mano o il vostro braccio nell'accessorio rotante.

- l) Non posate mai l'utensile elettrico finché l'accessorio non si è completamente arrestato.

L'accessorio rotante potrebbe afferrare la superficie e farvi perdere il controllo dell'utensile elettrico.

- m) Non utilizzate l'utensile elettrico mentre lo state trasportando al vostro fianco.

Il contatto accidentale con l'accessorio rotante potrebbe impigliare i vostri indumenti, tirando l'accessorio verso il vostro corpo.

- n) Pulite regolarmente le ventole d'aria dell'utensile elettrico.

La ventola del motore attirerà la polvere all'interno dell'alloggiamento e l'accumulo eccessivo di metallo polverizzato potrebbe causare pericoli elettrici.

- o) Non utilizzate l'utensile elettrico vicino ai materiali infiammabili.

Le scintille potrebbero far prendere fuoco a tali materiali.

- p) Non utilizzate accessori che richiedono refrigeranti liquidi.

L'utilizzo di acqua o altri refrigeranti liquidi potrebbe causare elettrocuzione o scosse elettriche.

RINCULO E AVVERTIMENTI CORRELATI

Il rinculo è una reazione improvvisa provocata da una mola rotante, platorello di supporto, spazzola o altro accessorio pinzati o impigliati. Ciò causa un rapido arresto dell'accessorio rotante che a sua volta provoca la perdita di controllo dell'utensile elettrico, costringendolo ad andare nella direzione opposta della rotazione dell'accessorio al punto di attacco.

Per esempio, se una mola abrasiva viene impigliata o pinzata dal pezzo della lavorazione, l'estremità della mola che entra nel punto di pinzaggio può scavare nella superficie del materiale causando lo spostamento o rinculo della mola. La mola può saltare verso l'operatore o via da esso, a seconda della direzione del movimento della mola al punto di pinzaggio. E' inoltre possibile che le mole abrasive si spezzino in queste condizioni.

Il rinculo è il risultato di un utilizzo erraneo dell'utensile elettrico e/o di procedure o condizioni di utilizzo erranee e può essere evitato prendendo i necessari provvedimenti elencati di seguito.

- a) **Mantenete una presa ferma sull'utensile elettrico e posizionate il vostro corpo e braccio in modo da permettervi di resistere alle forze del rinculo. Utilizzate sempre la maniglia ausiliaria, per il massimo controllo sul rinculo o la reazione di coppia durante l'avviamento.**
L'operatore è in grado di controllare le reazioni di coppia o le forze del rinculo se vengono prese le adeguate precauzioni.
- b) **Non posizionate mai la vostra mano vicino all'accessorio rotante.**
L'accessorio potrebbe avere una reazione di rinculo sulla vostra mano.
- c) **Non posizionate il vostro corpo nella zona dove si sposterà l'utensile se si verifica il rinculo.**
Il rinculo spingerà l'utensile nella direzione opposta al movimento della mola al punto di impigliamento.
- d) **Fate particolare attenzione quando lavorate angoli, estremità appuntite, ecc. Evitate di far saltare e impigliare l'accessorio.**
Gli angoli, le estremità appuntite o gli sbalottamenti hanno una tendenza a far impigliare l'accessorio rotante e causare la perdita del controllo o rinculo.
- e) **Non fissate una lama da moto sega per intagliare il legno o una lama di sega dentata.**
Tali lame creano rinculo e perdita del controllo frequenti.

AVVERTIMENTI DI SICUREZZA SPECIFICI PER LE OPERAZIONI DI LEVIGATURA

- a) **Non usare carta per disco abrasivo di dimensioni eccessivamente grandi.**
Seguire le raccomandazioni del produttore quando si seleziona la carta abrasiva.

CARATTERISTICHE

Voltaggio (per zona)*	(110V, 120V, 220V, 230V, 240V) ~
Potenza assorbita*	1250 W*
Velocità senza carico	0 – 3400 min ⁻¹
Velocità nominale	3750 min ⁻¹
Misura dei dischi abrasivi diametro esterno x diametro interno	180 x 22 mm
Peso (escluso il cavo e gli accessori standard)	2,8 kg

* Accertatevi di aver controllato bene la piastrina perché essa varia da zona a zona.

ACCESSORI STANDARD

- (1) Cuscino di gomma 1
 - (2) Maniglia ad anello (con bullone e rondella) 1
 - (3) Chiave a barra 1
- Gli accessori standard possono essere soggetti a cambiamento senza preavviso.

La carta abrasiva di dimensioni più grosse che si estende oltre il platorello abrasivo presenta un rischio di lacerazione e potrebbe causare lo strappo o la lacerazione del disco o il rinculo.

AVVERTIMENTI DI SICUREZZA SPECIFICI PER LE OPERAZIONI DI LUCIDATURA

- a) **Non consentire la rotazione libera a nessuna porzione allentata del coperchio di lucidatura o alle cordicelle dell'accessorio.**
Mettere via o spuntare le cordicelle dell'accessorio allentate.
Le cordicelle dell'accessorio allentate e in rotazione possono attorcigliarsi sulle vostre dita o rimanere impigliate sul pezzo da lavorare.

PRECAUZIONI PER L'USO DELLA LEVIGAYRICE/LUCIDATRICE ELETTRONICA

1. Non montare mai una mola né cercare di usare questo utensile come smerigliatrice angolare.
2. Impugnare sempre saldamente il corpo e l'impugnatura dell'utensile per evitare che la forza di controtensione produca un lavoro impreciso e persino pericoloso.
3. Assicurarsi che le scintille prodotte dall'uso non creino rischi e cioè che non colpiscano persone e non diano fuoco a sostanze infiammabili.
4. Usare sempre gli occhiali protettivi e i protettori per le orecchie e usare altri accessori di protezione personale, come guanti, grembiule e casco, quando necessario.
5. Usare sempre una protezione per gli occhi e le orecchie.
Altri accessori di protezione personale, come maschera antipolvere, guanti, casco e grembiule, vanno usati quando necessario.
In caso di dubbio, indossare gli accessori di protezione.

IMPIEGHI

- Molatura di superfici metalliche
- Smerigliatura preventiva di superfici metalliche prima della verniciatura, rimozione di ruggine, rimozione di vecchia verniciatura prima di effettuare una nuova verniciatura.
- Rifinitura di parti in legno, rettificare sporgenze di legno da giunture o connessioni.
- Smerigliatura preventiva di superfici in legno, prima di applicare la vernice.

- Levigatura e lucidatura di superfici metalliche verniciate, tipo quelle di automobili, treni, montacarichi, frigoriferi, macchine per cucire, lavatrici, apparecchiature, ecc.
- Levigatura di superfici laccate di mobili in legno, ecc.
- Lucidatura di oggetti in resina sintetica o ebanite.

PRIMA DELL'USO

1. Alimentazione

Assicurarsi che la rete di alimentazione che si vuole usare sia compatibile con le caratteristiche relative all'alimentazione di corrente specificate nella piastrina dell'apparecchio.

ATTENZIONE

Non usate fonte di alimentazione CC.

2. Interruttore di corrente

Mettere l'interruttore in posizione SPENTO. Se la spina è infilata in una presa mentre l'interruttore è acceso, l'utensile elettrico si mette immediatamente in moto, facilitando il verificarsi di incidenti gravi.

3. Prolunga del cavo

Quando l'ambiente di lavoro è lontano da una presa di corrente, usare una prolunga del cavo di sufficiente spessore e di prestazione adeguata. La prolunga deve essere più corta possibile.

4. Controllare il perno di bloccaggio

Controllare che il perno di bloccaggio sia disinserito premendolo due o tre volte prima di accendere l'apparecchio. (Vedere Fig. 3, 4)

5. Fissaggio della maniglia ad anello

Fissare la maniglia ad anello con un bullone e una rondella al coperchio ingranaggi.

6. RCD

Si raccomanda di usare sempre un interruttore differenziale con una potenza nominale di 30mA o meno.

APPLICAZIONI PRATICHE DELLA LEVIGATRICE/LUCIDATRICE ELETTRONICA

La velocità del motore aumenta quando si aumenta la pressione sul grilletto. Rilasciare il grilletto per fermare. Per il funzionamento continuo, tirare il grilletto e quindi spingere in dentro il pulsante di blocco. Per fermare il motore dalla posizione bloccata, tirare il grilletto a fondo e quindi rilasciarlo. La velocità del motore può essere modificata a piacere ruotando la manopola; viene aumentata girando la manopola verso "6", e diminuita girandola verso "1" (Fig. 1). Scegliere la velocità di motore adatta al lavoro da eseguire. La seguente tabella dà le velocità di motore corrispondenti a ciascuna indicazione sulla scala della manopola e mostra i tipi di lavoro per i quali sono adatte.

Indicazione della manopola	min ⁻¹	Tipo di lavoro
1	600	} Lucidatura
2	1100	
3	1700	
4	2300	} Levigatura
5	2900	
6	3400	

ATTENZIONE

La manopola non può essere ruotata oltre "6" o "1" sulla scala nelle loro rispettive direzioni.

1. Smerigliatura

- (1) Questo apparecchio è stato progettato per fornire una potenza di lucidatura (levigatura) sufficiente con il disco premuto leggermente contro la superficie da levigare/lucidare: esso è dotato di un circuito di controllo elettronico per assicurare che il motore non rallenti anche quando sotto carico. Non c'è quindi alcuna necessità di premere il disco con forza sulla superficie; questo può sovraccaricare il motore, e provocare l'intervento del dispositivo di arresto sovraccarico che interrompe l'alimentazione del motore. Se questo dovesse accadere spegnere l'interruttore di alimentazione e riaccendere per rirregolare l'apparecchio: la rotazione riprenderà alla velocità corretta.
- (2) Non appoggiare l'intera superficie del disco sulla superficie dell'oggetto da lavorare. Come si vede dalla Fig. 2, la smerigliatrice deve essere tenuta con un angolo compreso approssimativamente tra i 15° e i 25° rispetto alla superficie dell'oggetto da lavorare in modo da offrire alla superficie stessa la parte periferica del disco abrasivo.
- (3) Precauzioni da prendere immediatamente dopo aver effettuato una operazione di rifinitura: Dopo aver messo l'interruttore su OFF (spento), non posare la smerigliatrice fino a che il disco abrasivo non si sia completamente arrestato. Questa precauzione non evita solamente pericolosi incidenti ma riduce anche la quantità di polvere e segatura succhiata all'interno della macchina.

2. Levigatura:

- (1) Si possono efficacemente levigare sia superficie curve sia superficie piane. Non spingere troppo la levigatrice contro la superficie dell'oggetto da lavorare. Il solo peso della levigatrice è sufficiente per ottenere una efficace levigatura. Una pressione eccessiva comporta una scarsa rifinitura e può causare eventuale sovraccarico al motore.
 - (2) Il disco abrasivo, la pasta abrasiva o la cera devono essere scelti in funzione del materiale di cui è composto l'oggetto da lavorare e della rifinitura che si desidera ottenere per la superficie. Si può ottenere la massima efficacia nella levigatura seguendo il metodo qui sotto indicato:
- Levigatura preliminare mediante smerigliatrice, usando un disco a grana fine.
 - Levigatura con la cuffia di lana, usando pasta abrasiva e/o cera. Mettere una piccola quantità di pasta abrasiva e/o di cera sulla superficie dell'oggetto da lavorare e levigare con la cuffia di lana.

ATTENZIONE

- Prestare la massima attenzione nell'evitare che il cavo isolato entri in contatto con il cappuccio di lana o il disco di levigatura durante il funzionamento. Se il cavo li dovesse toccare, c'è il pericolo che si impigli.
- Non usate il perno di blocco come freno per arrestare l'utensile siccome ciò potrebbe causare danni all'ingranaggio o il distacco dell'utensile.

MONTAGGIO E RIMOZIONE DEL DISCO ABRASIVO E DELLA CUFFIA DI LANA

1. Per smerigliare (Fig. 3)

- (1) Dopo aver posto il disco di levigatura sul cuscinetto di gomma passate il dado a rondella sul perno.
- (2) Premere il perno di bloccaggio per assicurare il fuso e stringere il dado a rondella con una chiave.
- (3) Per togliere il disco abrasivo, seguire all'inverso il procedimento suddetto.

2. Per levigare (Fig. 4)

- (1) Inserire il dado a rondella attraverso il cuscinetto di gomma e passatelo sul perno.
- (2) Premere il perno di bloccaggio per assicurare il fuso e stringere il dado a rondella con una chiave.
- (3) Come si vede dalla Fig. 5, avvolgere il cuscinetto di gomma con la cuffia di lana e fissare quest'ultima stringendo e legando il suo laccio. Assicurarsi che la parte in eccesso del laccio sia fermamente infilata all'interno della cuffia di lana al fine di evitare che esca, durante la levigatura.

ATTENZIONE

Una errata applicazione della cuffia di lana può provocare vibrazioni.

- (4) Per togliere la cuffia di lana, seguire all'inverso il procedimento suddetto.

ATTENZIONE

- Usare una chiave per stringere il dado a rondella a sufficienza.
- Dopo aver rilasciato il perno di bloccaggio, controllare per assicurarsi che sia ritornato alla posizione normale.

MANUTENZIONE E CONTROLLO

1. Controllo delle viti di tenuta:

Controllare regolarmente tutte le viti di tenuta e assicurarsi che siano esclusivamente serrate. Nel caso che una di queste viti dovesse allentarsi riserrarla immediatamente. Se ciò non avviene si può causare un grave incidente.

2. Controllo della spazzola di carbone (Fig. 6)

Il motore fa uso di una spazzola di carbone, la quale con il tempo si consuma.

La spazzola eccessivamente consumata può causare dei danni; quindi bisogna sostituirla con una nuova, dello stesso numero indicato nella figura, non appena è consumata o è vicina al limite di usura. Inoltre bisogna mantenere la spazzola sempre pulita e controllare che si sposti liberamente sul portaspazzola.

3. Sostituzione di una spazzola di carbone:

Togliere la capsula della spazzola con un cacciavite a taglio. La spazzola può così essere agevolmente rimossa.

4. Manutenzione del motore:

L'avvolgimento del motore, il vero e proprio "cuore" degli attrezzi elettrici. Fare attenzione a non danneggiare l'avvolgimento e/o non bagnarlo con olio o acqua.

5. Pulizia della sezione del perno di bloccaggio

Se la sezione del perno di bloccaggio diviene sporca, pulirla immediatamente.

6. Lista dei pezzi di ricambio

- A: N. voce
- B: N. codice
- C: N. uso
- D: Note

CAUTELA

Riparazioni, modifiche e ispezioni di utensili elettrici Hitachi devono essere eseguite da un centro assistenza Hitachi autorizzato.

Questa lista dei pezzi torna utile se viene presentata con l'utensile al centro assistenza Hitachi autorizzato quando si richiedono riparazioni o altri interventi di manutenzione.

Nell'uso e nella manutenzione degli utensili elettrici devono essere osservate le normative di sicurezza e i criteri prescritti in ciascun paese.

MODIFICHE

Gli utensili elettrici Hitachi vengono continuamente migliorati e modificati per includere le più recenti innovazioni tecnologiche.

Di conseguenza, alcuni pezzi (p.es. numero di codice e/o design) possono essere modificati senza preavviso.

GARANZIA

Garantiamo gli Utensili Elettrici Hitachi in conformità alle specifiche normative imposte dalla legge e dai paesi. Questa garanzia non copre difetti o danni dovuti a uso erraneo, abuso o normale usura. In caso di lamentele, si prega di inviare l'Utensile Elettrico, non smontato, insieme al CERTIFICATO DI GARANZIA che si trova al termine di queste Istruzioni per l'uso, ad un Centro di Assistenza Autorizzato Hitachi.

NOTA

A causa del continuo programma di ricerca e sviluppo della HITACHI, le caratteristiche riportate in questo foglio sono soggette a cambiamenti senza preventiva comunicazione.

Informazioni riguardanti i rumori trasmessi dall'aria e le vibrazioni

I valori misurati sono stati determinati in conformità a EN60745 e descritti in conformità alla normativa ISO 4871.

Il livello di pressione sonora pesato A tipico è di 83 dB (A).

Il livello di potenza sonora pesato A tipico è di 94 dB (A).
KpA incertezza: 3 dB (A)

Indossare i dispositivi di protezione acustica.

Valori totali di vibrazione (somma vettori triass.) determinati secondo la norma EN60745.

Lucidatura:

Valore di emissione vibrazioni **a_{h,P}** = 5,6 m/s²
Incertezza K = 2,2 m/s²

Levigatura:

Valore di emissione vibrazioni **a_{h,DS}** = 3,8 m/s²
Incertezza K = 1,5 m/s²

Il valore totale di emissione vibrazioni dichiarato è stato misurato in base al metodo di test standard e può essere utilizzato per confrontare un utensile con un altro. Può essere inoltre utilizzato per la stima preliminare dell'esposizione.

AVVERTENZA

- Il valore di emissione vibrazioni durante l'uso effettivo dell'utensile può essere diverso dal valore totale dichiarato in base alle modalità di utilizzo dell'utensile stesso.
- Identificare le misure di sicurezza per la protezione dell'operatore basate su stima dell'esposizione nelle effettive condizioni di utilizzo (prendendo in considerazione tutte le parti del ciclo di funzionamento come i tempi in cui l'utensile resta spento e quando funziona senza essere utilizzato in aggiunta al tempo di avvio).

ALGEMENE VEILIGHEIDSWAARSCHUWINGEN VOOR ELEKTRISCH GEREEDSCHAP

⚠ WAARSCHUWING

Lees alle waarschuwingen en instructies aandachtig door.

Nalating om de waarschuwingen en instructies op te volgen kan in een elektrische schok, brand en/of ernstig letsel resulteren.

Bewaar alle waarschuwingen en aanwijzingen voor eventuele naslag in de toekomst.

De term "elektrisch gereedschap" heeft zowel betrekking op elektrisch gereedschap dat via de netvoeding van stroom wordt voorzien als gereedschap dat via een accu (snoerloos) van stroom wordt voorzien.

1) Veiligheid van de werkplek

- Zorg voor een schone en goed verlichte werkplek.**
Een rommelige of donkere werkplek verhoogt de kans op ongelukken.
- Gebruik het elektrisch gereedschap niet in een omgeving met ontplofbare vloeistoffen, gassen of stof.**
Elektrisch gereedschap kan vonken afgeven. Deze vonkjes kunnen stofdeeltjes of gassen doen ontbranden.
- Houd kinderen en andere toeschouwers tijdens het gebruik van elektrische gereedschap uit de buurt.**
Afleidingen kunnen gevaarlijk zijn.

2) Elektrische veiligheid

- De stekker op het elektrische gereedschap moet geschikt zijn voor aansluiting op de wandcontactdoos.**
De stekker mag op geen enkele manier gemodificeerd worden. Gebruik geen verloopstekker met geaard elektrisch gereedschap.
Deugdelijke stekkers en geschikte wandcontactdozen verminderen het risico op een elektrische schok.
- Vermijd lichamen contact met geaarde oppervlakken zoals leidingen, radiatoren, fornuizen en koelkasten.**
Wanneer uw lichaam in contact staat met geaarde oppervlakken loopt u een groter risico op een elektrische schok.
- Stel het elektrisch gereedschap niet bloot aan regen of vochtige omstandigheden.**
Het risico op een elektrische schok wordt vergroot wanneer er water in het elektrisch gereedschap terecht komt.
- Behandel het snoer voorzichtig. Draag het gereedschap nooit door dit bij het snoer vast te houden. Trek niet aan het snoer wanneer u de stekker uit het stopcontact wilt halen.**
Houd het snoer uit de buurt van warmtebronnen, olie, scherpe randen of bewegende onderdelen.
Een beschadigd of verward snoer verhoogt het risico op een elektrische schok.
- Gebruik buitenshuis een verlengsnoer dat specifiek geschikt is voor het gebruik buiten.**
Het gebruik van een snoer dat specifiek geschikt is voor gebruik buitenshuis vermindert het risico op een elektrische schok.
- Als het elektrisch gereedschap in een vochtige omgeving gebruikt moet worden, dient een voeding met RCD (reststroom-apparaat) beveiliging te worden gebruikt.**
Gebruik van een RCD vermindert de kans op een elektrische schok.

3) Persoonlijke veiligheid

- Blijf waakzaam, let voortdurend op uw werk en gebruik uw gezond verstand wanneer u elektrisch gereedschap gebruikt.**
Gebruik geen elektrisch gereedschap wanneer u moe bent of onder invloed van drugs, alcohol of medicijnen.

Eén moment van onoplettendheid kan in ernstig lichamenlijk letsel resulteren.

- Gebruik persoonlijke beschermingsmiddelen. Draag altijd oogbescherming.**
Beschermingsmiddelen zoals stofmaskers, niet-glijdende veiligheidschoenen, een helm of oorbescherming vermindert het risico op lichamenlijk letsel.
 - Voorkom dat het gereedschap per ongeluk kan starten. Controleer of de schakelaar in de uit-stand staat voordat u de voeding en/of de accu aansluit, het gereedschap oppakt of gaat dragen.**
Zorg ervoor dat u tijdens het verplaatsen van het elektrisch gereedschap uw vingers uit de buurt van de schakelaar houdt en sluit de stroombron niet aan terwijl de schakelaar op aan staat om ongelukken te vermijden.
 - Verwijder sleutels en moersleutels uit het gereedschap voordat u het elektrisch gereedschap aanzet.**
Een (moer-)sleutel die op een bewegend onderdeel van het elektrisch gereedschap bevestigd is kan in lichamenlijk letsel resulteren.
 - Reik niet te ver. Zorg ervoor dat u te allen tijde stevig staat en uw evenwicht behoudt.**
Op deze manier heeft u tijdens een onverwachte situatie meer controle over het elektrisch gereedschap.
 - Draag geen loszittende kleding of sieraden. Houd uw haar, kleding en handschoenen uit de buurt van bewegende onderdelen.**
Loszittende kleding, sieraden en lang haar kunnen in de bewegende onderdelen verstrikt raken.
 - Indien het elektrisch gereedschap van een aansluiting voor stofafzuiging is voorzien dan dient u ervoor te zorgen dat de stofafzuiging aangesloten en op de juiste manier gebruikt wordt.**
Het gebruik van stofafzuiging vermindert eventuele stofgerelateerde risico's.
- #### 4) Bediening en onderhoud van elektrisch gereedschap
- Het elektrisch gereedschap mag niet geforceerd worden. Gebruik het juiste gereedschap voor het karwei.**
U kunt de klus beter en veiliger uitvoeren wanneer u het juiste elektrische gereedschap gebruikt.
 - Gebruik het elektrisch gereedschap niet als de schakelaar niet goed werkt.**
Elektrisch gereedschap dat niet via de schakelaar bediend kan worden is gevaarlijk en moet onmiddellijk gerepareerd worden.
 - Haal de stekker uit het stopcontact voordat u de voeding en/of de accu van het elektrisch gereedschap losmaakt, afstellingen verricht, accessoires verwisselt of voordat u het elektrisch gereedschap opbergt.**
Dergelijke preventieve veiligheidsmaatregelen verminderen het risico dat het elektrisch gereedschap per ongeluk opstart.
 - Berg elektrisch gereedschap buiten het bereik van kinderen en op sta niet toe dat personen die niet bekend zijn met het juiste gebruik van het gereedschap of deze voorschriften dit elektrisch gereedschap gebruiken.**
Elektrisch gereedschap is gevaarlijk in onbevoegde handen.
 - Het elektrisch gereedschap moet regelmatig onderhouden worden. Controleer het gereedschap op een foutieve uitlijning, vastgelopen of defecte bewegende onderdelen en andere problemen die van invloed zijn op de juiste werking van het gereedschap.**
Indien het gereedschap defect of beschadigd is moet het gerepareerd worden voordat u het gereedschap opnieuw gebruikt.

Slecht onderhouden elektrisch gereedschap is verantwoordelijk voor een groot aantal doe-het-zelf ongelukken.

- f) **Houd snijwerktuigen scherp en schoon.**
Goed onderhouden snijwerktuigen met scherpe snijranden lopen minder snel vast en zijn gemakkelijker in het gebruik.
- g) **Elektrisch gereedschap, toebehoren, bits enz. moeten in overeenstemming met deze instructies worden gebruikt waarbij de werkomstandigheden en het werk in overweging moeten worden genomen.**
Gebruik van het elektrisch gereedschap voor andere doeleinden dan waarvoor het is bedoeld, kan resulteren in een gevaarlijke situatie.
- 5) **Onderhoudsbeurt**
- a) **Het gereedschap mag uitsluitend door bevoegd onderhoudspersoneel worden onderhouden die authentieke onderdelen gebruikt.**
Hierdoor kunt u erop aan dat de veiligheid van het elektrisch gereedschap behouden blijft.

VOORZORGMAATREGELEN

Houd kinderen en kwetsbare personen op een afstand.
Het gereedschap moet na gebruik buiten het bereik van kinderen en andere kwetsbare personen worden opgeborgen.

ALGEMENE VEILIGHEIDSWAARSCHUWINGEN VOOR SCHUREN OF POLIJSTEN

- a) **Dit elektrisch gereedschap is bedoeld voor gebruik als een schuur- of polijstmachine. Lees alle veiligheidsinstructies, waarschuwingen, illustraties en specificaties die bij dit elektrisch gereedschap worden geleverd.**
Niet opvolgen van alle onderstaande instructies kan elektrische schokken, brand en/of ernstig letsel veroorzaken.
- b) **Gebruik van dit elektrisch gereedschap voor slijpen, staalborstelen of doorslijpen wordt niet aanbevolen.**
Gebruik van dit elektrisch gereedschap voor doeleinden waarvoor dit niet geschikt is kan gevaar opleveren en lichamelijk letsel veroorzaken.
- c) **Gebruik geen toebehoren die niet specifiek ontworpen en aanbevolen zijn door de fabrikant van het gereedschap.**
Enkel het feit dat het toebehoren aan uw elektrisch gereedschap bevestigd kan worden betekent niet dat dit veilig gebruikt kan worden.
- d) **De nominale snelheid van het toebehoren moet tenminste gelijk zijn aan de maximum snelheid die op het elektrisch gereedschap staat aangegeven.**
Toebehoren die sneller draaien dan hun nominale snelheid kunnen stuk draaien en uit elkaar vliegen.
- e) **De buitendiameter en de dikte van uw toebehoren moet binnen de nominale capaciteit van uw elektrisch gereedschap vallen.**
Toebehoren van een verkeerde maat kunnen niet voldoende beveiligd of onder controle gehouden worden.
- f) **De opsteekmaat van schijven, flenzen, steunplaten of andere toebehoren moeten correct passen op de as van het elektrisch gereedschap.**
Toebehoren met opsteekgaten die niet overeenkomen met het montagegedeelte van het elektrisch gereedschap zullen uit balans raken, overmatig trillen en verlies van controle veroorzaken.
- g) **Gebruik geen beschadigde toebehoren. Inspecteer voor elk gebruik het toebehoren zoals schuurschijven op afgebroken stukjes en barsten, de steunplaat op barsten, scheuren of buitengewone slijtage, de draadborstel op loszittende of gebroken draden. Als het elektrisch gereedschap is komen te vallen, dit inspecteren op beschadiging of een onbeschadigd toebehoren monteren. Plaats na het inspecteren en monteren van een toebehoren uzelf en omstanders uit de buurt van het vlak van het draaiende toebehoren en laat het elektrisch gereedschap gedurende één minuut onbelast op maximum snelheid draaien.**
Normaal zullen beschadigde toebehoren tijdens deze testperiode stuk gaan.
- h) **Draag beschermende uitrusting. Gebruik afhankelijk van de toepassing gezichtsbescherming, oogbescherming of een veiligheidsbril. Draag al naar gelang de omstandigheden een stofmasker, gehoorbescherming, handschoenen en een werkschort dat slijpsel of kleine materiaaldeeltjes kan tegenhouden.**
De oogbescherming moet rondvliegende deeltjes die door diverse werkzaamheden worden geproduceerd kunnen tegenhouden. Het stofmasker of respirator moet deeltjes die door uw werkzaamheden geproduceerd worden kunnen filteren. Langdurige blootstelling aan geluid met hoge intensiteit kan tot gehoorverlies leiden.
- i) **Houd omstanders op veilige afstand van de werkplek. Alle personen die de werkplek betreden moeten veiligheidsuitrusting dragen.**
Materiaalfragmenten of een defect geraakt toebehoren kunnen wegspringen en letsel veroorzaken buiten de onmiddellijke omgeving van de werkplek.
- j) **Houd het elektrisch gereedschap vast bij de geïsoleerde handgrepen tijdens het uitvoeren van een karwei waarbij het snijtoebehoren in contact kan komen met verborgen bedrading of het eigen snoer.**
Wanneer een snijtoebehoren in aanraking komt met een kabel die onder spanning staat, kunnen de blootliggende metalen delen van het elektrisch gereedschap onder spanning komen en de operator een elektrische schok toebrengen.
- k) **Plaats het snoer uit de buurt van het draaiende toebehoren.**
Als u de controle verliest, kan het snoer doorgesneden of verstrikt raken en kan uw hand of arm in het draaiende toebehoren getrokken worden.
- l) **Leg het elektrisch gereedschap nooit neer totdat het toebehoren volledig tot stilstand is gekomen.**
Het draaiende toebehoren kan zich in het oppervlak vastzetten zodat u de controle over het elektrisch gereedschap verliest.
- m) **Laat het elektrisch gereedschap niet draaien wanneer u dit naast u draagt.**
Wanneer het draaiende toebehoren per ongeluk in contact komt met uw kleding kan dit daarin verstrikt raken en kan het toebehoren in uw lichaam worden getrokken.
- n) **Reinig regelmatig de ventilatieopeningen van het elektrisch gereedschap.**
De ventilator van de motor trekt stof in de behuizing en een overmatige opeenhoping van metaalpoeder kan gevaar voor elektrische schokken opleveren.

- o) **Gebruik het elektrisch gereedschap niet in de buurt van brandbare materialen.**

Deze materialen kunnen door vonken tot ontbranding komen.

- p) **Gebruik geen toebehoren waarvoor een vloeibaar koelmiddel vereist is.**

Gebruik van water of overig vloeibaar koelmiddel kan elektrocutie of schok tot gevolg hebben.

TERUGSLAG EN VERBAND HOUDENDE WAARSCHUWINGEN

Terugslag is een plotselinge reactie van een draaiende schijf, steunplaat, borstel of ander toebehoren dat klemgeraakt of vastgelopen is. Klemraken of vastlopen veroorzaakt snel afslaan van het draaiende toebehoren dat daardoor het elektrisch gereedschap bij het punt van klemraken eigenmachtig in de richting forceert tegenovergesteld aan de draairichting van het toebehoren.

Als bijvoorbeeld een schuurschijf vastgelopen of klemgeraakt is in het werkstuk, kan de rand van de schijf die in het klempunt zit zich gaan vastzetten in het materiaaloppervlak waardoor de schijf omhoog kan springen of terugslaan. De schijf kan in de richting van de operator of van deze vandaan springen, afhankelijk van de draairichting van de schijf op het punt van klemraken. Schuurschijven kunnen onder deze omstandigheden ook breken.

Terugslag is het resultaat van verkeerd gebruik van het elektrisch gereedschap en/of verkeerde bedieningsprocedures of omstandigheden en kan worden voorkomen door het nemen van de juiste voorzorgsmaatregelen zoals hieronder aangegeven.

- a) **Houd het elektrische gereedschap stevig in uw greep en houd uw lichaam en arm in een positie waarbij terugslagkrachten opgevangen kunnen worden. Gebruik altijd de extra handgreep, indien voorzien, voor maximale controle over terugslag of reactiekoppel bij het opstarten.**

De operator kan reactiekoppel of terugslagkrachten onder controle houden als de juiste voorzorgsmaatregelen worden genomen.

- b) **Plaats uw hand nooit in de buurt van het draaiende toebehoren.**

Het toebehoren kan over uw hand terugslaan.

- c) **Breng uw lichaam niet in een positie op een plaats waar het elektrisch gereedschap in het geval van terugslag naar toe kan bewegen.**

Terugslag forceert het gereedschap in een richting tegenovergesteld aan de beweging van de schijf bij het punt van vastlopen.

- d) **Wees bijzonder voorzichtig bij het bewerken van hoeken, scherpe randen, enz. Voorkom dat het toebehoren terugspringt en vastloopt.**

Hoeken, scherpe randen of terugspringen hebben de neiging het draaiende toebehoren te laten vastlopen en kan verlies van controle of terugslag veroorzaken.

- e) **Bevestig geen zaagblad voor houtsnijwerk of een getand zaagblad.**

Dergelijke bladen veroorzaken vaak terugslag en verlies van controle.

VEILIGHEIDSWAARSCHUWINGEN SPECIFIEK VOOR SCHUREN

- a) **Gebruik niet overmatig groot schuurschijfpapier. Volg de aanbevelingen van de fabrikant op bij het uitkiezen van schuurpapier.**

Bij schuurpapier dat over het schuurkussen uitsteekt, bestaat er kans op letsel en kan vastklemmen, scheuren of terugslag van de schijf optreden.

VEILIGHEIDSWAARSCHUWINGEN SPECIFIEK VOOR POLIJSTEN

- a) **Let erop dat er geen loszittend gedeelte van de polijstkap of de bevestigingsboutjes vrij ronddraaien.**

Duw losse boutjes weg of snijd deze af.

Losse of ronddraaiende boutjes kunnen zich om uw vingers of het werkstuk wikkelen.

VOORZORGSMATREGELEN BETREFFENDE HET GEBRUIK VAN DE SCHUUPROLIJSTMACHINE MET REGEL ELECTRONIC

1. Nooit een slijpschijf op het apparaat aanbrengen en proberen het als haakse slijpmachine te gebruiken.
2. Houd de handgrepen van het elektrisch gereedschap altijd stevig vast. Zoniet dan zal de tegendruk onzuiver werk of gevaarlijke situaties in de hand werken.
3. Zorg ervoor dat eventuele vonken bij het gebruik geen gevaar kunnen vormen, dat wil zeggen, geen personen kunnen raken of brandbare materialen kunnen doen ontvlammen.
4. Gebruik altijd een veiligheidsbril en gehoorbescherming en indien nodig andere persoonlijke beschermingsmiddelen, zoals handschoenen, werkschort en een helm.
5. Gebruik te allen tijde oog-en gehoorbescherming. Andere persoonlijke beschermingsmiddelen zoals een stofmasker, handschoenen, een helm en een werkschort moeten indien nodig gedragen worden. Draag de persoonlijke beschermingsmiddelen als u twijfelt of ze nodig zijn.

TECHNISCHE GEGEVENS

Voltage (verschillend van gebied tot gebied)*	(110V, 120V, 220V, 230V, 240V) ~
Opgenomen vermogen*	1250 W*
Toerental onbelast	0 – 3400 min ⁻¹
Gekwalificeerde snelheid	3750 min ⁻¹
Grootte van de schuurshijf (buiten-x binnendiameter)	180 x 22 mm
Gewicht (zonder kabel, standaard toebehoren)	2,8 kg

* Controleer het naamplaatje op het apparaat daar het apparaat afhankelijk van het gebied waar het verkocht wordt gewijzigd kan worden.

STANDAARD TOEBEHOREN

- (1) Rubber steunschijf 1
 - (2) Ringhendel (met bout en tussenring) 1
 - (3) Staafsleutel 1
- De standaard toebehoren kunnen zonder aankondiging op ieder moment worden veranderd.

TOEPASSINGSGEBIEDEN

- Het schuren van metaal-oppervlakten
- Het voorschuren van metaal-oppervlakten voor het verven, het verwijderen van roest of het verwijderen van oude verflagen voordat men opnieuw begint te verven.
- Eindbewerking van houtwerk, afschuren van uitstekende delen bij sponningen of samengevoegd hout.
- Het voorschuren van houtlagen voor het verven.
- Het polijsten of glanzend maken van geverfde metaal-oppervlakten, zoals b.v. bij auto's, treinen, liften, koelkasten, naaimachines, wasmachines, metaalinrichtingen, etc.
- Het polijsten van gelakte oppervlakten bij houten meubels, etc.
- Het glanzend maken van kunststof of hardrubber-producten.

VOOR BEGIN VAN HET WERK

1. Netspanning

Controleren of de netspanning overeenkomt met de opgave op het naamplaatje.

VOORZICHTIG

Gebruik het apparaat niet op gelijkstroom.

2. Netschakelaar

Controleren of de netschakelaar op „UIT” staat. Wanneer de stekker op het net aangesloten is, terwijl de schakelaar op „AAN” staat, begint het gereedschap onmiddellijk te draaien, hetwelk ernstig gevaar betekent.

3. Verlengsnoer

Wanneer het werkterrein niet in de buurt van een stopcontact ligt, dan moet men gebruik maken van een verlengsnoer, dat voldoende dwarsprofiel en voldoende nominaal vermogen heeft. Het verlengsnoer moet zo kort mogelijk gehouden worden.

4. Controleren van de vergrendelpen

Controleer of de vergrendelpen vrijgezet is door twee of drie maal op de vergrendelpen te drukken, alvorens het elektrisch gereedschap in te schakelen. (Zie **Afb. 3, 4**)

5. Bevestigen van de ringhendel

Zet de handgreep vast aan de tandwielkast met de bout en de tussenring.

6. RCD

Het gebruik van een reststroomapparaat met een nominale reststroom van 30 mA of minder wordt aanbevolen.

PRAKTISCHE TOEPASSINGEN VAN DE SCHUUR-EN POLIJSTMACHINE MET REGEL ELECTRONIC

De motor gaat sneller draaien naarmate u de trekker verder overhaalt. Laat de trekker los om te stoppen. Voor doorlopend gebruik dient u de trekker over te halen en vervolgens de vergrendelknop in te drukken. Om de motor te stoppen vanuit een vergrendelde positie, dient u de trekker eerst weer in te drukken om de vergrendeling op te heffen en vervolgens los te laten.

De snelheid van de motor kan ingesteld worden door aan de wijzer te draaien; de snelheid wordt verhoogd door de wijzer naar „6” te draaien, en verlaagd door de wijzer naar „1” te draaien (**Afb. 1**). Kies de motorsnelheid die past bij het werk dat u gaat doen. De volgende tabel geeft de motorsnelheden die overeenkomen met de aanduidingen op de wijzerschaal. Tevens geeft de tabel het soort werk aan per aanduiding.

Wijzeraan- duiding	T min ⁻¹	Soort werk
1	600	Polijsten
2	1100	
3	1700	
4	2300	
5	2900	Shuren
6	3400	

VOORZICHTIG

De wijzer kan niet verder dan „6” of „1” verdraaid worden.

1. Schuurwerk

- (1) Dit apparaat is ontworpen om voldoende polijst- (schuur-) kracht te geven, indien met de schijf lichtjes tegen het polijst/schuuroppervlak wordt gedrukt. Het apparaat is met een elektrisch regelcircuit uitgerust om te verzekeren dat de motor bij belasting niet langzamer loopt. Het is daarom niet nodig de schuurschijf hard tegen het schuuroppervlak te drukken. Hierdoor kan de motor overbelast raken, waardoor het overbelastingscircuit wordt ingeschakeld om de stroom naar de motor uit te schakelen. Mocht dit zich voordoen, schakel dan met de stroomschakelaar het apparaat eerst uit en later weer in om het apparaat opnieuw in te stellen. Daarna loopt het apparaat weer met de juiste motordraaisnelheid.
- (2) Niet de gehele oppervlakte van de schuurschijf op het werkstuk leggen. Zoals afgebeeld in **Afb. 2**, moet de schuurmachine in een hoek van ongeveer 15 – 25° tot de oppervlakte van het werkstuk gehouden worden, zodat de buitenrand van de schuurschijf het werkstuk aanraakt.
- (3) Voorzorgsmaatregel direct na beëindiging van de werkzaamheden:
Na het uitschakelen de schuurmachine pas neerleggen, wanneer de schuurschijf tot volledige stilstand is gekomen. Door deze voorzorgsmaatregel worden niet alleen ernstige ongelukken vermeden, maar tevens wordt voorkomen, dat stof en spaanders in de machine worden gezogen.

2. Polijstwerk

- (1) Er kunnen zowel gebogen als ook gladde oppervlakten succesvol bewerkt worden. De polijstmachine niet overdreven sterk op de oppervlakte van het werkstuk drukken. Het gewicht van de polijstmachine alleen is voldoende om een optimaal polijsteffect te bereiken. Te veel druk leidt tot een echte toestand van de oppervlakte en kan eventueel een overbelasting van de motor veroorzaken.
- (2) De polijstschijf, het polijstmiddel of de was moet passend voor het materiaal van het werkstuk en de gewenste behandeling van de oppervlakte worden gekozen. Een optimaal polijsteffect verkrijgt men als volgt:
- Voorpolijsten met de schuurmachine met een schuurschijf met fijne korrel.
 - Polijsten met de lamsvelhoes met polijstmiddel en/of was. Een weining polijstmiddel en/of was aanbrengen op de oppervlakte van het werkstuk en polijsten met de lamsvelhoes.

VOORZICHTIG

- Zorg ervoor dat het snoer in geen geval de wollen kap of schuurschijf tijdens gebruik aanraakt. Wanneer het snoer in aanraking komt met deze onderdelen, kan het snoer verstrikt raken.
- Gebruik niet de blokkeperen als een rem om het gereedschap te stoppen want dit kan resulteren in beschadiging van de tandwielen of losraken van het gereedschap.

HET AANBRENGEN EN VERWIJDEREN VAN DE SCHUURSCHIJF EN DE LAMSVELHOES

1. Voor het schuurwerk (Afb. 3)

- (1) Na het plaatsen van de schuurschijf op het rubber blok, brengt u de onderlegmoer aan op de as.
- (2) Druk op de vergrendelpen om de as te verzekeren en draai de onderlegmoer met een moersleutel vast.
- (3) Het verwijderen van de schuurschijf geschiedt in omgekeerde volgorde.

2. Voor polijstwerk (Afb. 4)

- (1) Steek de onderlegmoer door het rubber blok en breng de moer aan op de as.
- (2) Druk op de vergrendelpen om de as te verzekeren en draai de onderlegmoer met een moersleutel vast.
- (3) Zoals afgebeeld in **Afb. 5** trekt men de lamsvelhoes over de rubber steunschijf, de trekband wordt vast aangetrokken en vastgeknoot. Er moet op gelet worden, dat de uiteinden van de band vast in de lamsvelhoes zijn gestoken, op dat deze bij het polijsten er niet uitvliegen.

VOORZICHTIG

Het verkeerd aanbrengen van de lamsvelhoes kan trillingen veroorzaken.

- (4) Het verwijderen van de lamsvelhoes geschiedt in omgekeerde volgorde.

VOORZICHTIG

○ Gebruik een moersleutel om de onderlegmoer voldoende vast te draaien.

○ Na het vrijzetten van de vergrendelpen dient u te controleren of de pen naar zijn normale positie is teruggekeerd.

ONDERHOUD EN INSPECTIE

1. Inspectie van de bevestigingsschroef:

Alle bevestigingsschroeven worden regelmatig geïnspecteerd en gecontroleerd of zij juist aangedraaid zijn. Wanneer één van de schroeven losraakt, dan moet deze onmiddellijk opnieuw aangedraaid worden. Gebeurt dat niet, dan kan dat tot aanzienlijke gevaren leiden.

2. Inspectie van de koolborstels (Afb. 6)

Bij de motor zijn koolborstels gebruikt, die onderhevig zijn aan slijtage. Versleten koolborstels leiden tot problemen bij de motor. Dientengevolge dienen de koolborstels vervangen te worden door borstels die hetzelfde nummer hebben als de afbeelding aantoont, wanneer de koolborstel versleten, of bijna versleten zijn. Bovendien moeten de koolborstels altijd schoon zijn en zich vrij in de borstelhouders kunnen bewegen.

3. Het wisselen van de koolborstel:

Men demonteert de borsteldeksel met een steeksleutel. Men kan de koolborstel dan gemakkelijk verwijderen.

4. Onderhoud van de motor

De motorwikkeling is het „hart“ van het elektrische gereedschap. Er moet daarom bijzonder zorgvuldig op gelet worden, dat de wikkeling niet beschadigt en/of met olie of water bevochtigd wordt.

5. Schoonmaken van het vergrendelgedeelte

Als het vergrendelgedeelte vuil wordt, dient u het onmiddellijk schoon te maken.

6. Lijst vervangingsonderdelen

- A: Ond.nr.
- B: Codenr.
- C: Gebr.nr.
- D: Opm.

LET OP

Reparatie, modificatie en inspectie van Hitachi elektrisch gereedschap dient te worden uitgevoerd door een erkend Hitachi Service-centrum.

Deze Onderdelenlijst komt van pas wanneer u deze samen met het gereedschap aanbiedt bij het erkende Hitachi Service-centrum wanneer u om reparatie of ander onderhoud verzoekt.

Bij gebruik en onderhoud van elektrisch gereedschap dienen de in het land waar u zich bevindt geldende veiligheidsregelgeving en veiligheidsstandaarden strikt te worden opgevolgd.

MODIFICATIES

Hitachi elektrisch gereedschap wordt voortdurend verbeterd en gewijzigd teneinde gebruik te kunnen maken van de nieuwste technische ontwikkelingen. Daarom is mogelijk dat sommige onderdelen (zoals codenummers en/of ontwerp) zonder voorafgaande kennisgeving gewijzigd worden.

GARANTIE

De garantie op het elektrisch gereedschap van Hitachi is in overeenstemming met de wettelijke/landspecifieke richtlijnen. Deze garantie dekt geen defecten of schade als gevolg van foutief gebruik, misbruik of normale slijtage. In geval van klachten verzoeken wij u het elektrisch gereedschap samen met het GARANTIECERTIFICAAT dat u achterin deze handleiding aantreft naar een erkend servicecentrum van Hitachi te sturen. Indien door de gebruiker de machine wordt gedemonteerd vervalt de aanspraak op garantie.

AANTEKENING

Op grond van het voortdurende research- en ontwikkelingsprogramma van HITACHI zijn veranderingen van de hierin genoemde technische opgaven voorbehouden.

Informatie betreffende luchtgeluid en trillingen

De gemeten waarden zijn verkregen overeenkomstig EN60745 en voldoen aan de eisen van ISO 4871.

Het doorsnee A-gewogen geluiddrukknivo is 83 dB (A).
Het standaard A-gewogen geluiddrukknivo: 94 dB (A).
Onzekerheid KpA: 3 dB (A)

Draag gehoorbescherming.

Totale trillingswaarden (triax vector som) bepaald overeenkomstig EN60745.

Polijsten:

Trillingsemisiewaarde $a_{h,P} = 5,6 \text{ m/s}^2$

Onzekerheid K = 2,2 m/s^2

Schuren:

Trillingsemisiewaarde $a_{h,DS} = 3,8 \text{ m/s}^2$

Onzekerheid K = 1,5 m/s^2

De totale bepaalde trillingswaarde is gemeten in overeenstemming met een standaardtestmethode en is bruikbaar om meerdere gereedschappen met elkaar te vergelijken.

U kunt dit ook als beoordeling vooraf aan de blootstelling gebruiken.

WAARSCHUWING

- De trillingsemisiewaarde tijdens het feitelijke gebruik van het elektrisch gereedschap kan afwijken van de opgegeven totale waarde afhankelijk van de manieren waarop het gereedschap wordt gebruikt.
- Neem kennis van de veiligheidsmaatregelen voor de bescherming van de gebruiker die gebaseerd zijn op een schatting van blootstelling onder feitelijke gebruiksomstandigheden (rekening houdend met alle onderdelen van de gebruikscyclus, zoals de tijd dat het gereedschap is uitgeschakeld en wanneer dit onbelast draait inclusief de triggertijd).

ADVERTENCIAS DE SEGURIDAD GENERAL DE LA HERRAMIENTA ELÉCTRICA

⚠ ADVERTENCIA

Lea todas las instrucciones y advertencias de seguridad. Si no se siguen las advertencias e instrucciones, podría producirse una descarga eléctrica, un incendio y/o daños graves.

Guarde todas las advertencias e instrucciones para futura referencia.

El término "herramienta eléctrica" en las advertencias hace referencia a la herramienta eléctrica que funciona con la red de suministro (con cable) o a la herramienta eléctrica que funciona con pilas (sin cable).

1) Seguridad del área de trabajo

- Mantenga la zona de trabajo limpia y bien iluminada.**
Las zonas desordenadas u oscuras pueden provocar accidentes.
- No utilice las herramientas eléctricas en entornos explosivos como, por ejemplo, en presencia de líquidos inflamables, gases o polvo.**
Las herramientas eléctricas crean chispas que pueden inflamar el polvo o los humos.
- Mantenga a los niños y transeúntes alejados cuando utilice una herramienta eléctrica.**
Las distracciones pueden hacer que pierda el control.

2) Seguridad eléctrica

- Los enchufes de las herramientas eléctricas tienen que ser adecuados a la toma de corriente. No modifique el enchufe. No utilice enchufes adaptadores con herramientas eléctricas conectadas a tierra.**
Si no se modifican los enchufes y se utilizan tomas de corriente adecuadas se reducirá el riesgo de descarga eléctrica.
- Evite el contacto corporal con superficies conectadas a tierra como tuberías, radiadores y frigoríficos.**
Hay mayor riesgo de descarga eléctrica si su cuerpo está en contacto con el suelo.
- No exponga las herramientas eléctricas a la lluvia o a la humedad.**
La entrada de agua en una herramienta eléctrica aumentará el riesgo de descarga eléctrica.
- No utilice el cable incorrectamente. No utilice el cable para transportar, tirar de la herramienta eléctrica o desenchufarla.**
Mantenga el cable alejado del calor, del aceite, de bordes afilados o piezas móviles.
Los cables dañados o enredados aumentan el riesgo de descarga eléctrica.
- Cuando utilice una herramienta eléctrica al aire libre, utilice un cable prolongador adecuado para utilizarse al aire libre.**
La utilización de un cable adecuado para usarse al aire libre reduce el riesgo de descarga eléctrica.
- Si no se puede evitar el uso de una herramienta eléctrica en un lugar húmedo, utilice un suministro protegido mediante un dispositivo de corriente residual (RCD).**
El uso de un RCD reduce el riesgo de descarga eléctrica.

3) Seguridad personal

- Esté atento, preste atención a lo que hace y utilice el sentido común cuando utilice una herramienta eléctrica. No utilice una herramienta eléctrica cuando esté cansado o esté bajo la influencia de drogas, alcohol o medicación.**

La distracción momentánea cuando utiliza herramientas eléctricas puede dar lugar a importantes daños personales.

- Utilice un equipo de protección. Utilice siempre una protección ocular.**

El equipo de protección como máscara para el polvo, zapatos de seguridad antideslizantes, casco o protección para oídos utilizado para condiciones adecuadas reducirá los daños personales.

- Evite un inicio involuntario. Asegúrese de que el interruptor está en "off" antes de conectar la herramienta a una fuente de alimentación y/o batería, cogérla o transportarla.**

El transporte de herramientas eléctricas con el dedo en el interruptor o el encendido de herramientas eléctricas con el interruptor encendido puede provocar accidentes.

- Retire las llaves de ajuste antes de encender la herramienta eléctrica.**

Si se deja una llave en una pieza giratoria de la herramienta eléctrica podrían producirse daños personales.

- No se extralimite. Mantenga un equilibrio adecuado en todo momento.**

Esto permite un mayor control de la herramienta eléctrica en situaciones inesperadas.

- Vístase adecuadamente. No lleve prendas sueltas o joyas. Mantenga el pelo, la ropa y los guantes alejados de las piezas móviles.**

La ropa suelta, las joyas y el pelo largo pueden pillarse en las piezas móviles.

- Si se proporcionan dispositivos para la conexión de extracción de polvo e instalaciones de recogida, asegúrese de que están conectados y se utilizan adecuadamente.**

La utilización de un sistema de recogida de polvo puede reducir los riesgos relacionados con el polvo.

4) Utilización y mantenimiento de las herramientas eléctricas

- No fuerce la herramienta eléctrica. Utilice la herramienta eléctrica correcta para su aplicación.**

La herramienta eléctrica correcta trabajará mejor y de forma más segura si se utiliza a la velocidad para la que fue diseñada.

- No utilice la herramienta eléctrica si el interruptor no la enciende y apaga.**

Las herramientas eléctricas que no pueden controlarse con el interruptor son peligrosas y deben repararse.

- Desconecte el enchufe de la fuente eléctrica y/o la batería de la herramienta eléctrica antes de hacer ajustes, cambiar accesorios o almacenar herramientas eléctricas.**

Estas medidas de seguridad preventivas reducen el riesgo de que la herramienta eléctrica se ponga en marcha accidentalmente.

- Guarde las herramientas eléctricas que no se utilicen para que no las cojan los niños y no permita que utilicen las herramientas eléctricas personas no familiarizadas con las mismas o con estas instrucciones.**

Las herramientas eléctricas son peligrosas si son utilizadas por usuarios sin formación.

- Mantenimiento de las herramientas eléctricas. Compruebe si las piezas móviles están mal alineadas o unidas, si hay alguna pieza rota u otra condición que pudiera afectar al funcionamiento de las herramientas eléctricas.**

Si la herramienta eléctrica está dañada, llévela a reparar antes de utilizarla.

Se producen muchos accidentes por no realizar un mantenimiento correcto de las herramientas eléctricas.

- f) **Mantenga las herramientas de corte afiladas y limpias.**
Las herramientas de corte correctamente mantenidas con los bordes de corte afilados son más fáciles de controlar.
- g) **Utilice la herramienta eléctrica, los accesorios y las brocas de la herramienta, etc. de acuerdo con estas instrucciones, teniendo en cuenta las condiciones laborales y el trabajo que se va a realizar.**

La utilización de la herramienta eléctrica para operaciones diferentes a aquellas pretendidas podría dar lugar a una situación peligrosa.

5) Revisión

- a) **Lleve su herramienta a que la revise un experto cualificado que utilice sólo piezas de repuesto idénticas.**
Esto garantizará el mantenimiento de la seguridad de la herramienta eléctrica.

PRECAUCIÓN

Mantenga a los niños y a las personas enfermas alejadas.
Cuando no se utilicen, las herramientas deben almacenarse fuera del alcance de los niños y de las personas enfermas.

ADVERTENCIAS DE SEGURIDAD COMUNES PARA LAS OPERACIONES DE MOLIDO O PULIDO

- a) **Esta herramienta eléctrica está diseñada para que funcione como moledora o pulidora. Lea todas las advertencias de seguridad, instrucciones, ilustraciones y especificaciones proporcionadas con esta herramienta.**

Si no se siguen todas las instrucciones indicadas a continuación, podría producirse una descarga eléctrica, un incendio y/o daños graves.

- b) **No se recomienda realizar operaciones de cepillado o corte.**

Las operaciones para las que no se diseñó la herramienta eléctrica podrían producir un riesgo y causar daños personales.

- c) **No utilice accesorios que no estén diseñados y estén recomendados específicamente por el fabricante de la herramienta.**

El hecho de que el accesorio pueda acoplarse en la herramienta eléctrica no garantiza una operación segura.

- d) **La velocidad nominal del accesorio debe ser al menos igual a la velocidad máxima marcada en la herramienta eléctrica.**

Los accesorios que se utilizan con una velocidad superior a la indicada podrían romperse o descomponerse.

- e) **El diámetro externo y el grosor de su accesorio debe estar dentro de la clasificación de capacidad de su herramienta metálica.**

Los accesorios de tamaño incorrecto no pueden supervisarse o controlarse adecuadamente.

- f) **El tamaño de pérgola de las ruedas, bridas, almohadillas de respaldo u otros accesorios deben encajar correctamente en el eje de la herramienta metálica.**

Los accesorios con orificios de pérgola que no coincidan con la estructura de montaje de la herramienta eléctrica se desequilibrarán, vibrarán en exceso y pueden causar una pérdida de control.

- g) **No utilice un accesorio dañado. Antes de cada uso, inspeccione el accesorio, mirando si las ruedas abrasivas tienen grietas o roturas, las almohadillas de respaldo tienen grietas, rasgaduras o desgaste excesivo o el cepillo metálico está suelto o con el metal roto. Si se cae la herramienta eléctrica o el accesorio, inspeccione si está dañado o instale un accesorio sin dañar. Tras inspeccionar e instalar un accesorio, tanto usted como los viandantes deben alejarse del plano del accesorio giratorio y utilizar la herramienta eléctrica a máxima velocidad sin carga durante un minuto.**

Los accesorios dañados se romperán durante este periodo de prueba.

- h) **Utilice equipo protector personal. Dependiendo de la aplicación, utilice protector facial, gafas protectoras o gafas de seguridad. Si procede, utilice máscara para polvo, protectores auditivos, guantes y mono capaz de detener pequeños fragmentos abrasivos o piezas de trabajo.**

El protector ocular debe ser capaz de detener los desechos que salen desprendidos generados por las diferentes operaciones. La máscara para polvo o respirador debe ser capaz de filtrar partículas generadas por su operación. Una exposición prolongada a un ruido de intensidad elevada podría producir pérdida de audición.

- i) **Mantenga a los viandantes alejados del área de trabajo. Toda persona que entre en la zona de trabajo debe utilizar equipo de protección personal. Los fragmentos de un trabajo o un accesorio roto pueden salir despedidos y causar daños más allá del área de operación inmediata.**

- j) **Sujete la herramienta eléctrica solo por las superficies de agarre aisladas cuando realice una operación en la que el accesorio de corte pueda entrar en contacto con el cableado oculto o su propio cable.**

El hecho de que el accesorio de corte entre en contacto con un cable con corriente podría provocar que las partes metálicas expuestas de la herramienta eléctrica pasaran a tener corriente, pudiendo provocar al operador una descarga eléctrica.

- k) **Coloque el cable cerca del accesorio giratorio. Si pierde el control, podría cortarse el cable o engancharse y la mano o brazo podrían entrar en el accesorio giratorio.**

- l) **No coloque boca abajo la herramienta eléctrica hasta que el accesorio se haya parado completamente.**

El accesorio giratorio podría agarrar la superficie y descontrolar la herramienta eléctrica.

- m) **No ponga en marcha la herramienta eléctrica cuando la lleve al lado.**

Un contacto accidental con el accesorio giratorio podría enganchar la ropa y el accesorio podría herirle.

- n) **Limpie regularmente los conductos de aire de la herramienta eléctrica.**

El ventilador del motor sacará el polvo de dentro del alojamiento y la acumulación excesiva de metal en polvo podría producir peligros eléctricos.

- o) **No utilice la herramienta eléctrica cerca de materiales inflamables.**

Las chispas podrían quemar dichos materiales.

- p) **No utilice accesorios que requieran refrigerantes líquidos.**

Al utilizar agua u otros refrigerantes líquidos podría producirse una electrocución o descarga.

- e) **No coloque una cuchilla talladora de madera o cuchilla dentada en la sierra.**

Dichas cuchillas a menudo producen rebote y pérdida de control.

REBOTE Y ADVERTENCIAS RELACIONADAS

El rebote es una reacción repentina a una rueda giratoria, almohadilla de soporte, cepillo u otro accesorio pinchado o enganchado. El pinchazo o engancho causa una parada rápida del accesorio giratorio que, a su vez, hace que la herramienta eléctrica no controlada vaya en la dirección opuesta del giro del accesorio en el punto de atasco.

Por ejemplo, si una rueda abrasiva es enganchada o pinchada por la pieza de trabajo, el borde de la rueda que entra en el punto de pinchazo puede enterrarse en la superficie del material haciendo que la rueda se salga. La rueda puede saltar hacia el operario o salir despedida de este, dependiendo de la dirección del movimiento de la rueda en el punto de pinchazo. Las ruedas abrasivas también pueden romperse bajo estas condiciones.

El rebote es el resultado de un uso incorrecto y/o procedimientos o condiciones operativos incorrectos de la herramienta eléctrica y puede evitarse tomando las precauciones adecuadas indicadas a continuación.

- a) **Agarre la herramienta eléctrica firmemente y coloque el cuerpo y el brazo para que pueda resistirse a las fuerzas de retroceso. Utilice siempre una agarradera auxiliar, si se proporciona, para un control máximo sobre el rebote o reacción del par durante la puesta en marcha.**

El operario puede controlar las reacciones del par o las fuerzas de rebote, si se toman las precauciones adecuadas.

- b) **No coloque la mano cerca del accesorio giratorio.**

El accesorio puede rebotarse en la mano.

- c) **No coloque el cuerpo en la zona en la que la herramienta eléctrica se mueva si se produce un rebote.**

El rebote impulsará a la herramienta en dirección opuesta al movimiento de la rueda en el punto de engancho.

- d) **Tenga especial cuidado cuando trabaje con esquinas, bordes afilados, etc. Evite rebotar y enganchar el accesorio.**

Las esquinas, bordes afilados o el rebote tienden a enganchar el accesorio giratorio y causan la pérdida de control y rebote.

ADVERTENCIAS DE SEGURIDAD ESPECÍFICAS PARA LAS OPERACIONES DE MOLIDO

- a) **No utilice papel de lija demasiado grande. Siga las recomendaciones de los fabricantes a la hora de escoger el papel de lija.**

El papel de lija que supera la almohadilla de lijado presenta un peligro de laceración y podría provocar el engancho o la rotura del disco o rebote.

ADVERTENCIAS DE SEGURIDAD ESPECÍFICAS PARA LAS OPERACIONES DE PULIDO

- a) **No permita que alguna parte suelta de la tapa de pulido o sus cordones gire libremente.**

Guarde o corte los cordones sueltos.

Los cordones sueltos o que giran pueden enredarse en sus dedos o engancharse en la pieza de trabajo.

PRECAUCIÓN AL UTILIZAR LA LIJADORA PULIDORA ELECTRONICA

1. Nunca montar la muela de alisar y ni intentar usar este aparato como una amoladora angular.
 2. Sujetar siempre firmemente el asidero del cuerpo y el asidero lateral de la herramienta, de lo contrario, la contrafuerza producida podría causar un funcionamiento impreciso e incluso peligroso.
 3. Asegúrese de que las chispas resultantes del uso no constituyan peligro alguno, por ejemplo, que no alcancen a las personas ni que incendien sustancias inflamables.
 4. Utilice siempre gafas de seguridad y protectores auriculares. De requerirse, utilice también otros equipos de protección personal como guantes, delantal y casco.
 5. Utilice siempre protectores oculares y auriculares. Otros equipos de protección personal, como máscara contra el polvo, guantes, casco y delantal se deben usar según se requiera.
- En caso de dudas, utilice el equipo de protección.

ESPECIFICACIONES

Voltaje (por áreas)*	(110V, 120V, 220V, 230V, 240V) ~
Acometida*	1250 W*
Velocidad de marcha en vacío	0 – 3400 min ⁻¹
Velocidad nominal	3750 min ⁻¹
Diámetro del disco esmerilador (Diám. ext. x diám. intern.):	180 x 22 mm
Peso (sin cable, accesorio estándar)	2,8 kg

* Verificar indefectiblemente los datos de la placa de características de la máquina, pues varían de acuerdo al país de destino.

ACCESORIOS ESTANDAR

- (1) Disco de caucho 1
 - (2) Empuñadura en anillo (con perno y arandela) .. 1
 - (3) Llave de barra 1
- Los accesorios estándar están sujetos a cambio sin previo aviso.

APLICACIONES

- Alisar superficies metálicos
- Esmerilado preliminar de superficies metálicos antes de pintar, eliminación de oxidación, eliminación de pintura vieja antes de volver a pintar.
- Acabados de trabajos en madera, corregir maderamenessobresalientes de juntas y conjuntos.
- Esmerilado preliminar de superficies de madera antes de aplicar pintura.
- Pulimentar o esmerilar superficies metálicos pintados tales como los de automóviles, trenes, elevadores, refrigeradores, máquinas de cocer, lavadoras e instrumentos metálicos.
- Pulimentar superficies barnizadas, muebles de madera etc.
- Atornillar resina sintética o productos de ebonita.

ANTES DE LA PUESTA EN MARCHA

1. Alimentación

Asegurarse de que la alimentación de red que ha de ser utilizada responda a las exigencias de corriente especificadas en la placa de características del producto.

PRECAUCION

No alimente la unidad con una fuente de corriente continua.

2. Interruptor de alimentación

Asegurarse de que el interruptor de alimentación esté en la posición OFF (desconectado). Si el enchufe está conectado en el receptáculo mientras el interruptor de alimentación esté en posición ON (conectado) las herramientas eléctricas empezarán a funcionar inesperadamente, provocando un serio accidente.

3. Cable de prolongación

Cuando el área de trabajo está alejada de la red de acometida, usar un cable de prolongación suficiente grueso y potente. El cable de prolongación debe ser mantenido lo más corto posible.

4. Confirmación del pasador de bloqueo

Confirme que el pasador de bloqueo esté desenganchado presionándolo dos o tres veces antes de conectar la alimentación de la herramienta eléctrica. (Ver la Fig. 3 y 4)

5. Fijación de la empuñadura en anillo

Utilizando un perno y una arandela, fije la empuñadura en anillo a la cubierta del engranaje.

6. RCD

Se recomienda el uso permanente de un dispositivo de corriente residual con una corriente residual nominal equivalente o inferior a 30 mA.

APLICACIONES PRACTICAS DE LA LIJADORA PULIDORA ELECTRONICA

La velocidad del motor aumenta conforme aumenta la presión sobre el gatillo. Para parar, suelte el gatillo. Para una operación continua, tire del gatillo y luego oprima el botón de bloqueo. Para parar el motor desde la posición bloqueada, tire del gatillo completamente, y luego suéltelo. La velocidad del motor de podrá variarse girando el dial; si lo gira hacia "6", aumentará y si lo gira de hacia "1", disminuirá, (Fig. 1). Seleccione la velocidad adecuada al trabajo que esté realizando. En la tabla siguiente se indican la velocidad del motor correspondiente a cada indicación de la escala del dial y el tipo de trabajo adecuado a la misma.

Indicación del dial	min ⁻¹	Tipo di trabajo
1	600	Lustrado
2	1100	
3	1700	
4	2300	Lijado
5	2900	
6	3400	

PRECAUCION

El dial no podrá girarse más allá de "6" o "1" de la escala en sus respectivos sentidos.

1. Operación de esmerilado

- (1) Esta unidad ha sido diseñada para ofrecer suficiente potencia de lustrado (lijado) con el disco ligeramente presionado contra la superficie que desee lijar/lustrarse: dispone de un circuito controlador electrónico para asegurar que no disminuya la velocidad el motor aunque se le aplique carga. Por lo tanto no será necesario presionar con fuerzas el disco contra la superficie; si lo hace, el motor puede sobrecargarse, haciendo que el dispositivo de protección contra sobrecarga se active y corte de alimentación del motor. Cuando suceda esto, abra (OFF) y vuelva a cerrar (ON) el interruptor de alimentación para reponer la unidad, ésta reanudará el giro a la velocidad correcta del motor.

- (2) No aplicar toda la superficie del disco a la superficie de la pieza de trabajo. Como muestra la Fig. 2, el esmerilador debe ser mantenido en un ángulo aproximadamente entre 15° a 25° en relación a la superficie de la pieza de trabajo de tal manera que la porción periférica del disco de esmerilado está frente a la superficie de la pieza de trabajo.

- (3) Precaución inmediatamente después de haber acabado la operación. Después de conectar el conmutador en OFF (desconectado) no deponer el esmerilador antes de que el disco de esmerilado haya parado completamente. Esta precaución no sólo evitará accidentes serios, si no que reducirá también la cantidad de polvo y limaduras absorbidas dentro de la máquina.

2. Operación del pulimentador

- (1) Las superficies curvas tanto como superficies lisas pueden ser acabadas eficientemente. No empujar excesivamente el pulimentador contra la superficie de la pieza de trabajo. El sólo peso del mismo pulimentador basta para un pulimentado eficiente. La presión excesiva resultaría en un acabado pobre y causaría posible recalentamiento al motor.

- (2) El disco esmerilador, medio pulimentado o encerado deben ser seleccionados de acuerdo con el material de la pieza de trabajo y con el acabado de superficie deseado. Una eficiencia máxima de pulimentado se alcanzaría al llevar a cabo los siguientes métodos:
- Pulimentado preliminar con un esmerilador usando un disco de grano fino.
 - Pulimentar con un disco de lana usando medio pulimentado y/o cera. Aplicar una cantidad pequeña del medio pulimentado y/o cera a la superficie de la pieza de trabajo y pulimentar con el disco de lana.

PRECAUCION

- Tenga cuidado para evitar que el cable aislado con tubo de caucho duro toque la cubierta de lana o el disco lijador durante la operación. Si los toca, existe el peligro de que se enrede.
- No utilice la clavija de bloqueo como freno para detener la herramienta, ya que podría dañar el engranaje o hacer desprender la herramienta.

MONTAR Y DESMONTAR EL DISCO ESMERILADOR Y EL DISCO DE LANA

1. Para la operación del esmerilador (Fig. 3)

- (1) Después de colocar disco lijador sobre el amortiguador de caucho, enrosque la tuerca con la arandela-freno en el eje
- (2) Presione el pasador de bloqueo para asegurar el eje y apriete con una llave la tuerca con la arandela-freno.
- (3) Para quitar el disco esmerilador llevar a cabo los procedimientos antedichos a la inversa.

2. Para la operación del pulimentador (Fig. 4)

- (1) Inserte la tuerca con la arandela-freno a través del amortiguador de caucho y enrósquela en el eje.
- (2) Presione el pasador de bloqueo para asegurar el eje y apriete con una llave la tuerca con la arandela-freno.
- (3) Como se muestra en la Fig. 5, cubrir el disco de caucho con la cubierta del disco de lana y asegurarlo firmemente tirando y anudando su cordón de sujeción. Asegurarse de que el resto del cordón esté firmemente metido dentro del disco de lana para prevenir que vuele hacia afuera, durante el pulimentado.

PRECAUCION

Una instalación impropia del disco de lana puede causar vibraciones.

- (4) Para quitar el disco de lana, seguir los procedimientos antedichos en sentido contrario.

PRECAUCIONES

- Para apretar suficientemente la tuerca con la arandela-freno, emplee una llave.
- Después de soltar el pasador de bloqueo, compruebe y asegúrese de que haya vuelto a su posición normal.

MANTENIMIENTO E INSPECCION

1. Inspeccionar los tornillos de montaje:

Regularmente inspeccionar todos los tornillos de montaje y asegurarse de que estén apretados firmemente. Si cualquier tornillo estuviera suelto, volver a apretarlo inmediatamente. El no hacer esto provocaría un riesgo serio.

2. Inspección de escobillas de carbón: (Fig. 6)

El motor emplea carbones de contacto que son partes consumibles. Como un carbón de contacto excesivamente desgastado podría dar problemas al motor, reemplazar el carbón de contacto por uno nuevo, y que tenga el mismo número, como muestra en la figura, cuando se haya desgastado o esté cerca del límite de uso. Adicionalmente, mantener siempre los carbones de contacto limpios y asegurarse de que corran libremente dentro de los sujetadores de carbón.

3. Reemplazar el carbón de contacto:

Quitar la cápsula de carbón con un destornillador con cabeza pequeña. El carbón de contacto se deja luego se quita con facilidad.

4. Mantenimiento de motor:

La unidad de bobinado del motor es el verdadero "corazón" de las herramientas eléctricas. Prestar el mayor cuidado y asegurarse de que el bobinado no se dañe y/o se humedezca con aceite o agua.

5. Limpieza de la sección del pasador de bloqueo

Cuando se ensucie la sección del pasador de bloqueo, límpiela inmediatamente.

6. Lista de repuestos

- A: N°. ítem
- B: N°. código
- C: N°. usado
- D: Observaciones

PRECAUCION

La reparación, modificación e inspección de las herramientas eléctricas Hitachi deben ser realizadas por un Centro de Servicio Autorizado de Hitachi. Esta lista de repuestos será de utilidad si es presentada junto con la herramienta al Centro de Servicio Autorizado de Hitachi, para solicitar la reparación o cualquier otro tipo de mantenimiento. En el manejo y el mantenimiento de las herramientas eléctricas, se deberán observar las normas y reglamentos vigentes en cada país.

MODIFICACIONES

Hitachi Power Tools introduce constantemente mejoras y modificaciones para incorporar los últimos avances tecnológicos.

Por consiguiente, algunas partes (por ejemplo, números de códigos y/o diseño) pueden ser modificadas sin previo aviso.

GARANTÍA

Las herramientas motorizadas de Hitachi incluye una garantía conforme al reglamento específico legal/nacional. Esta garantía no cubre los defectos o daños debidos al uso incorrecto, el abuso o el desgaste normal. En caso de reclamación, envíe la herramienta motorizada, sin desmontar y con el CERTIFICADO DE GARANTÍA que aparece al final de estas instrucciones de uso, al Centro de Servicio Autorizado de Hitachi.

OBSERVACION

Debido al programa continuo de investigación y desarrollo de HITACHI estas especificaciones están sujetas a cambio sin previo aviso.

Información sobre el ruido propagado por el aire y vibración

Los valores medidos se determinaron de acuerdo con EN60745 declararon de conformidad con ISO 4871.

El nivel de presión acústica de ponderación A típica es de 83 dB (A).

Nivel de potencia acústica de ponderación A típico: 94 dB (A).

Duda KpA: 3 dB (A)

Utilice protecciones auriculares.

Valores totales de la vibración (suma de vectores triax.) determinados de acuerdo con EN60745.

Lustrado:

Valor de emisión de la vibración $a_{h,P} = 5,6 \text{ m/s}^2$

Incertidumbre K = 2,2 m/s^2

Lijado:

Valor de emisión de la vibración $a_{h,DS} = 3,8 \text{ m/s}^2$

Incertidumbre K = 1,5 m/s^2

El valor total de vibración declarado ha sido medido de acuerdo con un método de prueba estándar y permite comparar unas herramientas con otras.

También resulta útil para llevar a cabo evaluaciones preliminares de exposición.

ADVERTENCIA

- La emisión de vibración durante la utilización de la herramienta eléctrica puede ser diferente del valor total declarado dependiendo de las formas de utilización de la herramienta.
- Identifique las medidas seguras para proteger al operario basadas en una estimación de exposición en las condiciones reales de uso (teniendo en cuenta todas las partes del ciclo de funcionamiento como tiempos cuando la herramienta está apagada y cuando funciona lentamente además del tiempo de activación).

AVISOS GERAIS DE SEGURANÇA PARA A FERRAMENTA ELÉCTRICA

AVISO

Leia todas as instruções e avisos de segurança.

Se não seguir todas as instruções e os avisos, pode provocar um choque eléctrico, incêndio e/ou ferimentos graves.

Guarde todos os avisos e instruções para referência futura. O termo “ferramenta eléctrica” em todos os avisos refere-se à sua ferramenta ligada à corrente (com fios) ou à ferramenta eléctrica a baterias (sem fios).

1) Segurança da área de trabalho

- Mantenha a área de trabalho limpa e bem iluminada.**
As áreas escuras ou cheias de material são propícias aos acidentes.
- Não trabalhe com ferramentas eléctricas em ambientes explosivos, tais como na presença de líquidos inflamáveis, gases ou pó.**
As ferramentas eléctricas criam faíscas que podem inflamar o pó dos fumos.
- Mantenha as crianças e outras pessoas afastadas quando trabalhar com uma ferramenta eléctrica.**
As distrações podem fazer com que perca controlo.

2) Segurança eléctrica

- As fichas da ferramenta eléctrica devem corresponder às tomadas. Nunca modifique a ficha.**
Não utilize fichas adaptadoras com ferramentas eléctricas ligadas à terra.
As fichas não modificadas e tomadas correspondentes reduzirão o risco de choques eléctricos.
- Evite contacto corporal com superfícies ligadas à terra, tais como tubos, radiadores, máquinas e frigoríficos.**
Existe um risco acrescido de choque eléctrico se o seu corpo estiver ligado à terra.
- Não exponha ferramentas eléctricas à chuva ou condições de humidade.**
A entrada de água numa ferramenta eléctrica aumentará o risco de choques eléctricos.
- Não abuse do fio. Nunca utilize o fio para transportar, puxar ou desligar a ferramenta eléctrica.**
Mantenha o fio afastado do calor, óleo, margens afiadas ou peças em movimento.
Os fios danificados ou entrelaçados podem aumentar o risco de choques eléctricos.
- Quando trabalhar com uma ferramenta eléctrica no exterior, utilize uma extensão adequada para utilização exterior.**
A utilização de um fio adequado para utilização no exterior reduz o risco de choques eléctricos.
- Se não for possível evitar a utilização de uma máquina eléctrica num local húmido, utilize uma fonte de alimentação protegida por um dispositivo de corrente residual (RCD).**
A utilização de um RCD reduz o risco de choque eléctrico.

3) Segurança pessoal

- Mantenha-se alerta, esteja atento ao que está a fazer e utilize senso comum quando trabalhar com uma ferramenta eléctrica.**
Não utilize uma ferramenta eléctrica quando estiver cansado ou sob a influência de drogas, álcool ou medicamentos.
Um momento de desatenção enquanto trabalha com ferramentas eléctricas pode resultar em ferimentos pessoais graves.

- Utilize equipamento de protecção pessoal. Utilize sempre protecção para os olhos.**
O equipamento de protecção, tal como uma máscara de pó, sapatos de segurança anti-derrapantes, chapéu rígido ou protecção auricular utilizados para condições adequadas reduzirá os ferimentos pessoais.
 - Evite ligar por acidente. Certifique-se de que o interruptor está na posição de desligado antes de ligar a fonte de alimentação e/ou bateria, levantar ou transportar a ferramenta.**
Transportar ferramentas eléctricas com o dedo no interruptor ou activar ferramentas que estão com o interruptor ligado é propício a acidentes.
 - Remova qualquer chave de parafusos ou chave-inglesa de regulação antes de ligar a ferramenta.**
Uma chave-inglesa ou de parafusos ligada à parte rotativa da ferramenta pode provocar ferimentos pessoais.
 - Não se estique. Mantenha sempre o controlo e equilíbrio adequados.**
Isto permite obter um melhor controlo da ferramenta em situações inesperadas.
 - Use vestuário adequado. Não use roupas largas ou jóias. Mantenha o cabelo, roupas e luvas afastados das peças móveis.**
As roupas largas, jóias ou cabelo comprido podem ser apanhados em peças móveis.
 - Se forem fornecidos dispositivos para a ligação de extractores de pó e dispositivos de recolha, certifique-se de que estes estão ligados e são utilizados adequadamente.**
A utilização de uma recolha de pó pode reduzir os perigos relacionados com o pó.
- #### 4) Utilização da ferramenta e manutenção
- Não force a ferramenta eléctrica. Utilize a ferramenta correcta para a sua aplicação.**
A ferramenta correcta fará o trabalho melhor e com mais segurança à velocidade para a qual foi concebida.
 - Não utilize a ferramenta eléctrica se o interruptor não a ligar ou desligar.**
Qualquer ferramenta que não possa ser controlada com o interruptor é perigosa e deve ser reparada.
 - Desligue a ficha da rede antes e/ou a bateria da ferramenta eléctrica antes de efectuar quaisquer regulações, mudar os acessórios ou guardar ferramentas eléctricas.**
Tais medidas de segurança de prevenção reduzem o risco de ligar a ferramenta eléctrica acidentalmente.
 - Guarde as ferramentas eléctricas fora do alcance de crianças e não permita que pessoas não habituadas à ferramenta eléctrica ou estas instruções trabalhem com a ferramenta.**
As ferramentas eléctricas são perigosas nas mãos de utilizadores inexperientes.
 - Efectue a manutenção de ferramentas eléctricas. Verifique a existência de desalinhamentos ou dobragens das peças móveis, quebras de peças e quaisquer outras condições que possam afectar o funcionamento das ferramentas eléctricas.**
Se danificada, mande reparar a ferramenta antes de utilizar.
Muitos acidentes são causados por ferramentas com má manutenção.
 - Mantenha as ferramentas de corte afiadas e limpas.**
As ferramentas de corte com uma manutenção adequada e extremidades afiadas são menos propensas a dobrar e mais fáceis de controlar.

- g) Utilize a ferramenta eléctrica, acessórios e pontas de ferramentas, etc., de acordo com estas instruções, tomando em consideração as condições de trabalho e o trabalho a ser efectuado.

A utilização de uma ferramenta eléctrica para operações diferentes das concebidas pode resultar num mau funcionamento.

5) Manutenção

- a) Faça a manutenção da sua ferramenta eléctrica por um pessoal de reparação qualificado e utilize apenas peças de substituição idênticas.

Isto garantirá que a segurança da ferramenta eléctrica é mantida.

AVISO

Mantenha afastadas das crianças e pessoas doentes. Quando não estiverem a ser utilizadas, as ferramentas devem ser guardadas fora do alcance de crianças e pessoas doentes.

AVISOS DE SEGURANÇA COMUNS PARA AS OPERAÇÕES

- a) Esta ferramenta eléctrica foi concebida para funcionar como lixadora ou máquina de polir. Leia todos os avisos de segurança, instruções, ilustrações e especificações que acompanham esta ferramenta eléctrica.

O não seguimento de todas as instruções apresentadas abaixo pode resultar em choque eléctrico, incêndio e/ou ferimentos graves.

- b) Não é recomendada a utilização desta máquina eléctrica para operações como rebarbar, limpeza com escova metálica ou corte.

As operações para as quais a máquina eléctrica não foi concebida podem criar perigo e causar ferimentos.

- c) Não utilize acessórios que não sejam especificamente concebidos e recomendados pelo fabricante da ferramenta.

O facto de um acessório se adaptar à ferramenta eléctrica não é garantia de uma operação segura.

- d) A velocidade nominal do acessório deve ser, pelo menos, igual à velocidade máxima marcada na ferramenta eléctrica.

A utilização dos acessórios a velocidades mais rápidas que a sua velocidade nominal pode fazer com que estes partam e sejam projectados.

- e) O diâmetro exterior e a espessura do acessório devem estar dentro da capacidade nominal da ferramenta eléctrica.

Os acessórios de tamanho incorrecto não podem ser devidamente protegidos ou controlados.

- f) O tamanho do eixo de discos, frisos, discos de respaldo, ou de qualquer outro acessório, deve encaixar devidamente no eixo da ferramenta eléctrica.

Os acessórios com orifícios de eixo que não encaixem no hardware de montagem da ferramenta eléctrica irão causar desequilíbrio, vibrar excessivamente e podem levar à perda de controlo.

- g) Não utilize um acessório danificado. Antes de cada utilização, proceda à inspecção de acessórios, como discos abrasivos relativamente a lascas e fissuras, disco de respaldo em relação a fissuras, desgaste ou utilização excessiva, escova metálica em termos

de fios soltos ou partidos. Caso deixe cair a ferramenta eléctrica ou um acessório, proceda à inspecção relativamente a danos ou à instalação de um acessório não danificado. Após a inspecção e instalação de um acessório, mantenha-se afastado do plano do acessório rotativo e coloque a ferramenta eléctrica a trabalhar à velocidade máxima sem carga, durante um minuto.

Normalmente, os acessórios danificados partem-se no decorrer deste teste.

- h) Use equipamento de protecção pessoal. Consoante a aplicação, use protecção facial, luvas ou óculos de segurança. Conforme apropriado, use uma máscara de pó, protectores auriculares, luvas e avental de protecção, capaz de proteger contra pequenos fragmentos abrasivos ou peças.

A protecção para os olhos deve conseguir reter fragmentos projectados, gerados por diversas operações. A máscara de pó ou respirador devem ser capazes de filtrar partículas geradas durante a operação. A exposição prolongada a ruídos de grande intensidade pode causar perda de audição.

- i) As pessoas que se encontrem por perto devem ser mantidas a uma distância de segurança. Qualquer pessoa que entre na área de trabalho deve usar equipamento de protecção pessoal.

Fragmentos de peças ou de acessórios partidos podem ser projectados e causar ferimentos além da área imediata de operação.

- j) Agarre a ferramenta eléctrica somente pelas superfícies isoladas ao realizar uma operação em que o acessório de corte possa conter fios ocultos ou o seu próprio cabo.

O acessório de corte, em contacto com um fio com corrente, pode passar corrente para as partes metálicas expostas da ferramenta eléctrica e dar ao operador um choque eléctrico.

- k) Coloque o cabo afastado do acessório rotativo. Caso perca o controlo, o cabo pode ser cortado ou puxado e a sua mão ou braço podem ser puxados para o acessório rotativo.

- l) Nunca pouse a ferramenta de corte até que o acessório esteja completamente imobilizado.

O acessório rotativo pode agarrar a superfície e puxar a ferramenta eléctrica para fora do seu controlo.

- m) Não coloque a ferramenta eléctrica em funcionamento enquanto a transporta ao seu lado. O contacto acidental com o acessório rotativo pode agarrar a sua roupa, puxando o acessório para o seu corpo.

- n) Limpe regularmente os respiradouros da ferramenta eléctrica.

A ventoinha do motor irá sugar o pó para dentro do alojamento e a acumulação excessiva de metal em pó pode causar perigo eléctrico.

- o) Não opere a ferramenta eléctrica perto de materiais inflamáveis.

As faíscas podem acender esses materiais.

- p) Não utilize acessórios que requeiram líquidos de refrigeração.

A utilização de água ou de outros líquidos de refrigeração pode causar electrocussão ou choque.

REACÇÃO ENERGÉTICA E AVISOS RELACIONADOS

A reacção energética é uma reacção repentina a um disco rotativo, disco de respaldo, escova ou qualquer outro acessório que seja apertado ou puxado. A acção de apertar ou puxar causa um rápido retardamento do acessório rotativo, o que, por sua vez, faz com que a ferramenta eléctrica não controlada seja forçada na direcção oposta da rotação do acessório no ponto de ligação.

Por exemplo, se um disco abrasivo for puxado ou apertado pela peça a ser trabalhada, o limite do disco que entra no ponto de aperto pode penetrar na superfície do material, fazendo com que o disco caia ou seja expelido. Consoante a direcção do movimento do disco no ponto de aperto, este pode ser projectado em direcção ao operador ou para longe dele. Os discos abrasivos podem também partir sob estas condições.

A reacção energética é o resultado da má utilização da ferramenta eléctrica e/ou de procedimentos ou condições de operação incorrectos, podendo ser evitada se forem tomadas as devidas precauções, conforme descritas abaixo.

- a) **Segure bem a ferramenta eléctrica e posicione o seu corpo e braço de forma que permita resistir a forças de reacção energética. Use sempre a pega auxiliar, se fornecida, para o máximo controlo de reacções energéticas ou de torção durante o início da operação.**

Caso sejam tomadas as devidas precauções, é possível ao operador controlar as reacções de torção ou as forças energéticas.

- b) **Nunca colocar a mão perto do acessório rotativo. O acessório pode ter uma reacção energética para a sua mão.**

- c) **Não posicione o corpo na área onde a ferramenta eléctrica se irá movimentar na eventualidade de reacção energética.**

A reacção energética irá propelir a ferramenta na direcção oposta ao movimento do disco no ponto de aperto.

- d) **Tenha cuidados redobrados ao trabalhar cantos, margens afiadas, etc. Evite oscilar ou apertar o acessório.**

Cantos, margens afiadas ou oscilação têm tendência a apertar o acessório rotativo e causar perda de controlo ou reacção energética.

- e) **Não utilize uma lâmina de entalhe ou lâmina dentada para serra.**

Tais lâminas criam, frequentemente, reacções energéticas e perda de controlo.

AVISOS DE SEGURANÇA ESPECÍFICOS PARA OPERAÇÕES DE LIXAGEM

- a) **Não utilize uma lixa com um tamanho excessivo. Siga as recomendações do fabricante para seleccionar a lixa.**

Uma lixa de tamanho maior do que o suporte constitui um perigo de corte e pode encravar e rasgar do disco ou provocar recuo.

AVISOS DE SEGURANÇA ESPECÍFICOS PARA OPERAÇÕES POLIMENTO

- a) **Não permita que qualquer parte da tampa de polimento ou as respectivas cordas rodem livremente.**

Recolha ou corte quaisquer cordas do acessório.
As cordas soltas ou em rotação podem enrolar-se nos dedos ou prender na peça de trabalho.

PRECAUÇÕES QUANTO AO USO DA LIXADEIRA POLIDORA ELECTRONICA

1. Nunca monte um rebolo de esmeril e tente usar esta ferramenta como um disco de esmeril.
2. Segure sempre com firmeza o cabo do corpo da ferramenta eléctrica e sua empunhadura lateral. Se isto não for feito, a força contrária produzida por resultar numa operação imprecisa e até mesmo perigosa.
3. Certifique-se de que as faíscas produzidas durante a utilização da ferramenta não causam riscos desnecessários, por exemplo, não atingindo nenhuma pessoa ou tocando fogo em substâncias inflamáveis.
4. Use sempre óculos protetores de segurança e protetores de ouvido, além de outros equipamentos de proteção como luvas, avental e capacete, quando necessário.
5. Use sempre protetores de olhos e ouvidos. Outros equipamentos de proteção pessoal como máscara contra poeira, luvas, capacete e avental devem ser usados quando necessário. Em caso de dúvida, use o equipamento de proteção.

ESPECIFICAÇÕES

Voltagem (por áreas)*	(110V, 120V, 220V, 230V, 240V) ~
Potência de entrada	1250 W*
Rotação sem carga	0 – 3400 min ⁻¹
Velocidade nominal	3750 min ⁻¹
Tamanho do diâmetro externo x diâmetro interno do disco de esmeril.	180 x 22 mm
Peso (sem o fio, acessórios-padrão)	2,8 kg

* Não deixe de verificar a voltagem na placa identificadora constante do produto, pois ela está sujeita a mudanças conforme a área.

ACESSÓRIOS-PADRÃO

- (1) Suporte de borracha 1
 - (2) Cabo de gancho (com parafuso e arruela) 1
 - (3) Chave de barra 1
- Os acessórios-padrão estão sujeitos a mudanças sem aviso prévio.

APLICAÇÕES

- Retificação de superfícies metálicas.
- Lixamento preliminar de superfícies metálicas antes de pintura, remoção de ferrugem, remoção de pintura antiga antes de nova pintura.
- Acabamento de trabalho em madeira, correção de saliências na madeira de encaixes ou armações.
- Lixamento preliminar de superfícies de madeira antes da aplicação de pintura.
- Polimento ou brilho de superfícies metálicas pintadas, como as de automóveis, trens, elevadores, refrigeradores, máquinas de costura, lavadoras de roupa, aparelhos de metal, etc.
- Polimento de superfícies envernizadas de móveis de madeira, etc.
- Brilho em resina sintética ou em produtos de ebonite.

ANTES DA OPERAÇÃO

1. Fonte de energia

Certifique-se de que a fonte de energia a ser utilizada está conforme às exigências especificadas na placa identificadora do produto.

CAUIDADO

Não opere na fonte de energia de Corrente Direta.

2. Interruptor

Certifique-se de que o interruptor está na posição desligada. Se o plugue estiver conectado a um receptáculo quando o interruptor estiver ligado, a ferramenta elétrica vai começar a operar imediatamente, podendo provocar um grave acidente.

3. Fio de extensão

Quando a tomada estiver distante do local de trabalho, use um fio de extensão de espessura e de potência nominal suficientes. A extensão deve ser mantida mais curta quanto possível.

4. Verifique o pino de travamento

Verifique se o pino de travamento está desengatado apertando-o duas ou três vezes antes de ligar a ferramenta elétrica. (Veja **Figs. 3, 4**)

5. Fixação do cabo de gancho

Prenda o cabo de gancho com um parafuso e uma arruela à tampa de proteção da engrenagem.

6. RCD

Deve ser sempre utilizado um dispositivo diferencial com uma corrente diferencial igual ou inferior a 30mA.

APLICAÇÕES PRÁTICAS DA LIXADEIRA POLIDORA ELECTRONICA

A velocidade do motor aumenta, aumentando-se a pressão no gatilho. Solte o gatilho para parar. Para uma operação contínua, aperte o gatilho e depois pressione o botão de travamento. Para parar o motor quando ele estiver na posição travada, aperte totalmente o gatilho, depois solte-o.

A velocidade do motor pode variar conforme o desejado girando-se o seletor: ela aumenta quando se gira o seletor em direção ao "6", diminui ao girá-lo na direção do "1" (**Fig.1**).

Selecione a velocidade do motor apropriada ao trabalho que está sendo feito. A tabela seguinte fornece as velocidades do motor correspondentes a cada indicação na escala do seletor e mostra os tipos de trabalho para os quais elas são apropriadas.

Indicação no seletor	min ⁻¹	Tipo de trabalho
1	600	Para polir
2	1100	
3	1700	
4	2300	
5	2900	Para lixar
6	3400	

CAUIDADO

O seletor não pode ser girado além de "6" ou de "1" na escala em suas direções respectivas.

1. Operação de lixamento

(1) Este aparelho é projetado para fornecer poder de polimento (lixamento) suficiente com o disco pressionado levemente contra a superfície de lixamento/polimento: ele está equipado com um circuito de controle eletrônico para garantir que o motor não se desacelere mesmo quando carregado. Não existe, portanto, necessidade de pressionar com força o disco de lixar contra a superfície; se isto for feito, pode-se sobrecarregar o motor, causando em consequência a sobrecarga do dispositivo de corte para colocar em operação desligando o fornecimento de energia ao motor. Se isto ocorrer, desligue o interruptor e gire na velocidade correta do motor.

(2) Não aplique a superfície total do disco à superfície do material. Como mostra a **Fig. 2**, o lixador deve ser mantido num ângulo de aproximadamente 15° a 25° em relação à superfície do material de maneira que a porção periférica do disco de lixar seja oferecida à superfície do material.

(3) Cuidado imediato depois de terminada uma operação:

Depois de desligar o aparelho, não coloque o lixador em nenhum lugar antes que o disco de lixar pare completamente de girar. Tomando esta precaução, não apenas se evita um acidente grave, mas também se reduz a quantidade de poeira e de limalhas de ferro sugadas pela máquina.

2. Operação de polimento

(1) As superfícies curvas assim como as planas podem ter um acabamento eficiente. Não aperte excessivamente o polidor contra a superfície do material. O peso do polidor sozinho é suficiente para um polimento eficaz. Uma pressão excessiva resultará num acabamento ruim e causará uma possível sobrecarga do motor.

(2) O disco de lixar, o composto de polimento ou a cera devem ser selecionados conforme o material e o acabamento da superfície desejado. Um efeito de polimento máximo será atingido de acordo com o seguinte método:

- Polimento preliminar com lixador usando um disco de lixar de grão fino.
- Polimento com cobertura de lã usando composto de polimento e/ou cera. Aplique uma quantidade pequena do composto e/ou da cera na superfície do material e faça o polimento com a cobertura de lã.

CUIDADO

- Tenha o cuidado de evitar que a corda toque a cobertura de lã ou o disco de lixar durante a operação. Caso isto aconteça, existe perigo de que ela se emaranhe.
- Não utilize o perno de bloqueio para parar a ferramenta, uma vez que isto pode provocar danos na engrenagem ou fazer com que a ferramenta se solte.

MONTAGEM E DESMONTAGEM DO DISCO DE LIXAR E DA COBERTURA DE LÃ

1. Para a operação de lixamento (Fig. 3)

- (1) Depois de colocar o disco de lixar no suporte de borracha, enfie a porca de arruela no eixo.
- (2) Pressione o pino de travamento para prender o eixo e aperte a porca de arruela com uma chave.
- (3) Para retirar o disco de lixar, siga os passos acima em ordem inversa.

2. Para a operação de polimento (Fig. 4)

- (1) Insira a porca de arruela através do suporte de borracha e enfie-a no eixo.
- (2) Pressione o pino de travamento para prender o eixo e aperte a porca de arruela com uma chave.
- (3) Como mostra a **Fig. 5**, envolva o suporte de borracha com a cobertura de lã e prenda com firmeza, apertando e amarrando a corda de puxar. Certifique-se de que o excesso de corda está firmemente enfiada para dentro da cobertura de lã para evitar que ela fique voando durante o trabalho de polimento.

CUIDADO

Um encaixe mal feito da cobertura de lã pode causar vibração.

- (4) Para retirar a cobertura de lã, siga os passos acima na ordem inversa.

CUIDADOS

- Use uma chave para apertar suficientemente a porca de arruela.
- Depois de soltar o pino de travamento, verifique se ele retornou à sua posição normal.

MANUTENÇÃO E INSPEÇÃO

1. Inspeção dos parafusos de montagem

Inspeccione regularmente todos os parafusos de montagem e se certifique de que estão corretamente apertados. Se algum deles estiver frouxo, reaperte-o imediatamente. Caso isso não seja feito, pode resultar em perigo grave.

2. Inspeção das escovas de carvão (Fig. 6)

O motor emprega escovas de carvão que são peças de consumo. Como uma escova de carvão excessivamente desgastada pode provocar problemas no motor, troque-a por uma nova que tenha o mesmo número mostrado na ilustração. Além disso, mantenha as escovas de carvão sempre limpas e certifique-se de que elas deslizam livremente nos suportes de escova.

3. Troca de escovas de carvão:

Desmonte a proteção da escova com uma chave de fenda. As escovas de carvão podem, então, ser facilmente removidas.

4. Manutenção do motor

A unidade de enrolamento do motor é o verdadeiro "coração" da ferramenta elétrica. Cuide bem para assegurar que o enrolamento não se danifique e/ou se molhe com óleo ou água.

5. Limpeza da seção do pino de travamento

Se a seção do pino de travamento estiver suja, limpe-a imediatamente.

6. Lista de peças para conserto

- A: Item N°
- B: Código N°
- C: N° Usado
- D: Observações

CUIDADO

Consertos, modificações e inspeção de Ferramentas Elétricas da Hitachi devem ser realizados por uma Oficina Autorizada da Hitachi.

Esta lista de peças pode ser útil se apresentada com a ferramenta na Oficina Autorizada da Hitachi ao solicitar conserto ou manutenção.

Na operação e na manutenção das ferramentas elétricas, devem-se observar as normas de segurança e os padrões prescritos por cada país.

MODIFICAÇÃO

As Ferramentas Elétricas da Hitachi estão sempre sendo aperfeiçoadas e modificadas para incorporar os mais recentes avanços tecnológicos.

Dessa forma, algumas peças (isto é, números de código e/ou design) podem mudar sem aviso prévio.

GARANTIA

Garantimos que a Hitachi Power Tools obedece às respectivas normas específicas estatutárias/de país. Esta garantia não cobre avarias ou danos derivados de má utilização, abuso ou desgaste normal. Em caso de queixa, envie a Ferramenta, não desmontada, juntamente com o CERTIFICADO DE GARANTIA que se encontra no fundo destas instruções de utilização, para um Centro de Serviço Autorizado Hitachi.

NOTA

Devido ao contínuo programa de pesquisa e desenvolvimento da HITACHI, as especificações aqui contidas estão sujeitas a mudanças sem aviso prévio.

Informação a respeito de ruídos e vibração do ar

Os valores medidos foram determinados de acordo com a EN60745 e declarados em conformidade com a ISO 4871.

Nível típico de pressão sonora de peso A: 83 dB (A).
Nível típico da potência sonora de peso A: 94 dB (A).
Imprecisão KpA: 3 dB (A)

Use proteção auditiva.

Os valores totais da vibração (soma do vector triax) são determinados de acordo com a norma EN60745.

Polir:

Valor de emissão de vibrações $a_{h,p}$ = 5,6 m/s²

Incerteza de K = 2,2 m/s²

Lixar:

Valor de emissão de vibrações $a_{h,DS}$ = 3,8 m/s²

Incerteza de K = 1,5 m/s²

O valor total de vibração declarado foi medido de acordo com um método de teste padrão e pode ser utilizado para comparar ferramentas.

Pode também ser utilizado numa avaliação preliminar de exposição.

AVISO

- O valor de emissão de vibrações durante a utilização da ferramenta eléctrica pode ser diferente do valor total declarado, consoante as formas de utilização da ferramenta.
- Identificar as medidas de segurança para proteger o operador, que são baseadas numa estimativa de exposição nas actuais condições de utilização (tendo em conta todas as partes do ciclo de funcionamento, tais como os tempos em que a ferramenta é desligada e quando está a funcionar ao ralenti, além do tempo de accionamento do gatilho).

ΓΕΝΙΚΕΣ ΠΡΟΕΙΔΟΠΟΙΗΣΕΙΣ ΑΣΦΑΛΕΙΑΣ ΗΛΕΚΤΡΙΚΟΥ ΕΡΓΑΛΕΙΟΥ

⚠ ΠΡΟΣΟΧΗ

Διαβάστε όλες τις προειδοποιήσεις ασφαλείας και όλες τις οδηγίες.

Η μη τήρηση των προειδοποιήσεων και οδηγιών μπορεί να προκαλέσει ηλεκτροπληξία, πυρκαγιά και/ή σοβαρό τραυματισμό.

Φυλάξτε όλες τις προειδοποιήσεις και τις οδηγίες για μελλοντική αναφορά.

Ο όρος "ηλεκτρικό εργαλείο" στις προειδοποιήσεις αναφέρεται στο ηλεκτρικό εργαλείο (με καλώδιο) που λειτουργεί στους αγωγούς ή στο ηλεκτρικό εργαλείο που λειτουργεί στη μπαταρία (χωρίς καλώδιο).

1) Ασφάλεια χώρου εργασίας

a) **Διατηρείτε το χώρο εργασίας καθαρό και καλά φωτισμένο.**

Σε ακατάστατες ή σκοτεινές περιοχές μπορεί να προκληθούν ατυχήματα.

b) **Μην χρησιμοποιείτε τα ηλεκτρικά εργαλεία σε περιβάλλον, στο οποίο μπορεί να προκληθεί έκρηξη, όπως παρουσία εύφλεκτων υγρών, αερίων ή σκόνης.**

Τα ηλεκτρικά εργαλεία δημιουργούν σπινθήρες, οι οποίοι μπορεί να αναφλέξουν τη σκόνη ή τον καπνό.

c) **Κρατήστε τα παιδιά και τους παρευρισκόμενους μακριά όταν χρησιμοποιείτε ένα ηλεκτρικό εργαλείο.**

Αν αποσπαστεί η προσοχή σας, υπάρχει κίνδυνος να χάσετε τον έλεγχο.

2) Ηλεκτρική ασφάλεια

a) **Τα φως των ηλεκτρικών εργαλείων πρέπει να είναι κατάλληλα για τις πρίζες.**

Μην τροποποιήσετε ποτέ το φως με οποιονδήποτε τρόπο. Μη χρησιμοποιείτε φως προσαρμογής με γειωμένα ηλεκτρικά εργαλεία.

Τα μη τροποποιημένα φως και οι κατάλληλες πρίζες μειώνουν τον κίνδυνο ηλεκτροπληξίας.

b) **Αποφύγετε τη σωματική επαφή με γειωμένες επιφάνειες όπως σωλήνες, θερμάστρες, μαγειρικές συσκευές και ψυγεία.**

Υπάρχει αυξημένος κίνδυνος ηλεκτροπληξίας όταν το σώμα σας είναι γειωμένο.

c) **Μην εκθέτετε τα ηλεκτρικά εργαλεία στη βροχή ή σε συνθήκες υγρασίας.**

Το νερό που εισέρχεται σε ένα ηλεκτρικό εργαλείο αυξάνει τον κίνδυνο ηλεκτροπληξίας.

d) **Μην ασκείτε δύναμη στο καλώδιο. Μη χρησιμοποιείτε ποτέ το καλώδιο για να μεταφέρετε, να τραβήξετε ή να βγάλετε από την πρίζα το ηλεκτρικό εργαλείο.**

Κρατήστε το καλώδιο μακριά από θερμότητα, λάδι, κοφτερές γωνίες και κινούμενα μέρη.

Τα κατεστραμμένα ή μπερδεμένα καλώδια αυξάνουν τον κίνδυνο ηλεκτροπληξίας.

e) **Όταν χρησιμοποιείτε το εργαλείο σε εξωτερικό χώρο, χρησιμοποιήστε καλώδιο προέκτασης που προορίζεται για χρήση σε εξωτερικό χώρο.**

Η χρήση ενός καλώδιου κατάλληλου για εξωτερικό χώρο μειώνει τον κίνδυνο ηλεκτροπληξίας.

f) **Αν είναι αναπόφευκτη η λειτουργία ενός ηλεκτρικού εργαλείου σε χώρο με υγρασία, χρησιμοποιήστε διάταξη προστασίας ρεύματος διαρροής (RCD).**

Η χρήση της RCD μειώνει τον κίνδυνο ηλεκτροπληξίας.

3) Προσωπική ασφάλεια

a) **Να είστε σε ετοιμότητα, να βλέπετε αυτό που κάνετε και να χρησιμοποιείτε την κοινή λογική όταν χρησιμοποιείτε ένα ηλεκτρικό εργαλείο.**

Μη χρησιμοποιείτε ηλεκτρικά εργαλεία όταν είστε κουρασμένοι ή υπό την επήρεια ναρκωτικών ουσιών, οινόπνευματος ή φαρμάκων.

Μια στιγμή απροσεξίας κατά τη χρήση ενός ηλεκτρικού εργαλείου μπορεί να προκαλέσει σοβαρό προσωπικό τραυματισμό.

b) **Χρησιμοποιείτε προσωπικό προστατευτικό εξοπλισμό. Φοράτε πάντα προστασία για τα μάτια.**

Ο προστατευτικός εξοπλισμός, όπως μάσκα για τη σκόνη, αντιολισθητικά παπούτσια, σκληρό καπέλο ή προστασία για τα αυτιά, που χρησιμοποιείται για ανάλογες συνθήκες μπορεί να μειώσει τους τραυματισμούς.

c) **Προλαμβάνετε τυχόν ακούσια εκκίνηση. Βεβαιωθείτε ότι ο διακόπτης είναι σε θέση απενεργοποίησης πριν συνδέσετε τη συσκευή με πηγή ρεύματος και/ή τη θήκη της μπαταρίας, πριν σκιάσετε ή μεταφέρετε το εργαλείο. Η μεταφορά ηλεκτρικού εργαλείου με τα δάχτυλά σας στο διακόπτη ή η ηλεκτροδότηση ηλεκτρικού εργαλείου με ενεργοποιημένο το διακόπτη μπορεί να προκαλέσουν ατυχήματα.**

d) **Να αφαιρέτε τυχόν κλειδιά ρυθμιζόμενου ανοίγματος ή τα απλά κλειδιά πριν θέσετε σε λειτουργία το ηλεκτρικό εργαλείο.**

Ένα απόδο κλειδί ή ένα κλειδί ρυθμιζόμενου ανοίγματος που είναι προσαρτημένο σε περιστρεφόμενο εξάρτημα του ηλεκτρικού εργαλείου μπορεί να προκαλέσει προσωπικό τραυματισμό.

e) **Μην τεντώνεστε. Να διατηρείτε πάντοτε το κατάλληλο πάτημα και την ισορροπία σας.**

Με αυτόν τον τρόπο μπορείτε να ελέγχετε καλύτερα το ηλεκτρικό εργαλείο σε μη αναμενόμενες καταστάσεις.

f) **Να είστε ντυμένοι κατάλληλα. Μη φοράτε φαρδιά ρούχα ή κοσμήματα. Να κρατάτε τα μαλλιά σας, τα ρούχα σας και τα γάντια σας μακριά από κινούμενα μέρη.**

Τα φαρδιά ρούχα, τα κοσμήματα και τα μακριά μαλλιά μπορεί να πιαστούν σε κινούμενα μέρη.

g) **Αν παρέχονται εξαρτήματα για τη σύνδεση συσκευών εξαγωγής και συλλογής σκόνης, να βεβαιώνετε ότι είναι συνδεδεμένα και χρησιμοποιούνται με το σωστό τρόπο.**

Η χρήση συλλέκτη σκόνης μειώνει τους κινδύνους που προέρχονται από τη σκόνη.

4) Χρήση και φροντίδα ηλεκτρικών εργαλείων

a) **Μην ασκείτε δύναμη στο ηλεκτρικό εργαλείο. Να χρησιμοποιείτε το ηλεκτρικό εργαλείο που είναι κατάλληλο για το είδος της εργασίας που εκτελείτε.**

Το κατάλληλο ηλεκτρικό εργαλείο θα εκτελέσει την εργασία καλύτερα και με μεγαλύτερη ασφάλεια με τον τρόπο που σχεδιάστηκε.

b) **Μη χρησιμοποιήσετε το ηλεκτρικό εργαλείο αν ο διακόπτης λειτουργίας δεν ανοίγει και δεν κλείνει.**

Ένα ηλεκτρικό εργαλείο που δεν ελέγχεται από το διακόπτη λειτουργίας είναι επικίνδυνο και πρέπει να επισκευαστεί.

c) **Αποσυνδέστε το ύψωμα από την πηγή ισχύος και/ή τη θήκη μπαταρίας από το ηλεκτρικό εργαλείο πριν προβείτε σε ρυθμίσεις, αλλαγή εξαρτήματος ή αποθήκευση του ηλεκτρικού εργαλείου.**

Αυτά τα προληπτικά μέτρα ασφαλείας μειώνουν τον κίνδυνο να ξεκινήσει το ηλεκτρικό εργαλείο κατά λάθος.

d) **Αποθηκεύετε τα εργαλεία που δεν χρησιμοποιείτε μακριά από παιδιά και μην αφήνετε τα άτομα που δεν είναι εξοικειωμένα με το ηλεκτρικό εργαλείο ή με αυτές τις οδηγίες να χρησιμοποιούν το ηλεκτρικό εργαλείο.**

Τα ηλεκτρικά εργαλεία είναι επικίνδυνα στα χέρια μη εκπαιδευμένων ατόμων.

- e) Συντηρείτε τα ηλεκτρικά εργαλεία. Να ελέγχετε την ευθυγράμμιση τους ή το μπλοκάρισμα των κινούμενων μερών, τη θραύση των εξαρτημάτων και οποιαδήποτε άλλη κατάσταση που ενδέχεται να επηρεάσει τη λειτουργία του ηλεκτρικού εργαλείου.

Σε περίπτωση βλάβης, το ηλεκτρικό εργαλείο πρέπει να επισκευαστεί πριν χρησιμοποιηθεί.

Πολλά ατυχήματα προκαλούνται από ηλεκτρικά εργαλεία που δεν έχουν συντηρηθεί σωστά.

- f) Διατηρείτε τα εργαλεία κοπής κοφτερά και καθαρά. Τα κατάλληλα συντηρημένα εργαλεία κοπής με κοφτερές γωνίες μπλοκάρουν πιο δύσκολα και ελέγχονται πιο εύκολα.

- g) Χρησιμοποιείτε το ηλεκτρικό εργαλείο, τα εξαρτήματα και τα μέρη κ.τ.λ. σύμφωνα με τις παρούσες οδηγίες, λαμβάνοντας υπόψη τις συνθήκες εργασίας και την εργασία που θα εκτελέσετε.

Η χρήση του ηλεκτρικού εργαλείου για εργασίες πέρα από εκείνες για τις οποίες προορίζεται, ενδέχεται να δημιουργήσει κινδύνους.

5) Σέρβις

- a) Να δίνετε το ηλεκτρικό εργαλείο για σέρβις σε κατάλληλα εκπαιδευμένα άτομα και να χρησιμοποιείτε μόνο γνήσια ανταλλακτικά.

Με αυτόν τον τρόπο είστε σίγουροι για την ασφάλεια του ηλεκτρικού εργαλείου.

ΠΡΟΦΥΛΑΞΗ

Μακριά από τα παιδιά και τους αναπήρους.

Όταν δεν χρησιμοποιούνται, τα εργαλεία πρέπει να φυλάζονται μακριά από τα παιδιά και τους αναπήρους.

ΠΡΟΕΙΔΟΠΟΙΗΣΕΙΣ ΑΣΦΑΛΕΙΑΣ ΚΟΙΝΕΣ ΓΙΑ ΛΕΙΤΟΥΡΓΙΕΣ ΑΜΜΟΒΟΛΗΣ Η ΛΕΙΑΝΣΗΣ

- a) Αυτό το ηλεκτρικό εργαλείο προρίζεται για χρήση ως εργαλείο αμμοβολής ή σπιδλωτής. Διαβάζετε όλες προειδοποιήσεις ασφαλείας, τις οδηγίες, τις εικόνες και τις προδιαγραφές που παρέχονται με το ηλεκτρικό εργαλείο.

Η μη τήρηση των οδηγιών που αναφέρονται παρακάτω μπορεί να προκαλέσει ηλεκτροπληξία, πυρκαγιά και/ή σοβαρό τραυματισμό.

- b) Λειτουργίες όπως τρόχισμα, απογύμνωση καλωδίων ή κοπή δεν συνιστώνται να πραγματοποιούνται με αυτό το ηλεκτρικό εργαλείο.

Ενέργειες για τις οποίες δεν σχεδιάστηκε το ηλεκτρικό εργαλείο μπορούν να αποτελέσουν κίνδυνο και να προκαλέσουν τραυματισμό.

- c) Μην χρησιμοποιείτε εξαρτήματα που δεν είναι ειδικά σχεδιασμένα και δεν συνιστώνται από τον κατασκευαστή.

Το γεγονός ότι το εξάρτημα προσαρτάται στο ηλεκτρικό σας εργαλείο δεν σημαίνει ότι έτσι διασφαλίζεται η ασφαλή λειτουργία του.

- d) Η ονομαστική ταχύτητα του εξαρτήματος πρέπει να ισοδυναμεί τουλάχιστον με τη μέγιστη ταχύτητα που αναφέρεται στο ηλεκτρικό εργαλείο.

Τα εξαρτήματα που έχουν μεγαλύτερη ταχύτητα από την ονομαστική ταχύτητα μπορεί να σπάσουν και να εκτοξευθούν μακριά.

- e) Η εξωτερική διάμετρος και ο πάχος του εξαρτήματος σας πρέπει να βρίσκεται εντός της ονομαστικής τιμής όγκου του ηλεκτρικού σας εργαλείου.

Δεν είναι δυνατή η επαρκής προστασία και ο έλεγχος εξαρτημάτων με λάθος υπολογισμό μεγέθους.

- f) Το μέγεθος των τροχών, των φλαντζών, των πίσω περιβλημάτων ή άλλων εξαρτημάτων πρέπει να ταιριάζουν απόλυτα στον άξονα του ηλεκτρικού εργαλείου.

Τα εξαρτήματα με σπές που δεν ταιριάζουν στο πλαίσιο είναι υλικοί του ηλεκτρικού εργαλείου δεν θα έχουν ισορροπία, θα δονούνται υπερβολικά και μπορεί να προκαλέσουν απώλεια ελέγχου.

- g) Μην χρησιμοποιείτε κατεστραμμένα εξαρτήματα. Πριν από κάθε χρήση ελέγχετε το εξάρτημα, όπως τους τροχούς λείανσης για θραύσματα και σχισμές ή υπερβολική φθορά, τη συρματίνη θούρτσα για χαλαρά ή σπασμένα σύρματα. Αν το ηλεκτρικό εργαλείο ή το εξάρτημα πέσουν, ελέγχετε για ζημιές ή εγκαταστήστε ένα ακεραίο εξάρτημα. Μετά τον έλεγχο και την εγκατάσταση του εξαρτήματος, απομακρυνθείτε, και υποδείξτε το ίδιο σε όσους βρίσκονται γύρω, από την πτέρυγα του περιστρεφόμενου εξαρτήματος και λειτουργήστε το ηλεκτρικό εργαλείο στη μέγιστη ταχύτητα μη φόρτισης για ένα λεπτό.

Τα κατεστραμμένα εξαρτήματα θα διαλυθούν κατά τη διάρκεια αυτή της δοκιμής.

- h) Φοράτε προστατευτικό εξοπλισμό. Ανάλογα με την ενέργεια, χρησιμοποιείτε μάσκα για το πρόσωπο, μάσκα οξυγονοκόλλησης ή προστατευτικά γυαλιά. Όπως αρμόζει, φοράτε μάσκα για τη σκόνη, προστατευτικά για τα αυτιά, γάντια και στολή συνερχειού που μπορεί να σας προστατέψει από μικρά τραχιά θραύσματα.

Η προστασία για τα μάτια πρέπει να σας προστατεύει από τα μικρά θραύσματα. Η μάσκα για τη σκόνη ή ο αναπνευστήρας πρέπει να φιλτράρουν τα σωματίδια που παράγονται κατά τις εργασίες σας. Η παρατεταμένη έκθεση σε υψηλή ένταση ήχου μπορεί να επιφέρει απώλεια ακοής.

- i) Διατηρείτε τους γύρω σας σε ασφαλή απόσταση από την περιοχή εργασίας σας. Οποιοσδήποτε εισέρχεται στην περιοχή εργασίας σας πρέπει να φοράει προστατευτικό εξοπλισμό.

Μπορεί να εκτοξευθούν θραύσματα ή ένα χαλασμένο εξάρτημα και να προκαλέσει τραυματισμό πέρα από την περιοχή εργασίας σας.

- j) Κρατάτε το ηλεκτρικό εργαλείο μόνο από τις μονωμένες λαβές, όταν εκτελείτε μια ενέργεια κατά την οποία το εξάρτημα κοπής η κοπεί να έρθει σε επαφή με το κρυφό σύρμα ή το καλώδιό του. Το εξάρτημα κοπής που έρχεται σε επαφή με "ενεργό" καλώδιο μπορεί να "ενεργοποιήσει" τα εκτιθέμενα μεταλλικά μέρη και να προκαλέσει ηλεκτροπληξία στο χειριστή.

- k) Τοποθετείτε το καλώδιο χωρίς το περιστρεφόμενο εξάρτημα.

Αν χάσετε τον έλεγχο, το καλώδιο μπορεί να κοπεί ή να σκιστεί και το χέρι σας να βρεθεί μέσα στο περιστρεφόμενο εξάρτημα.

- l) Ποτέ μην αποθέτετε κάτω το ηλεκτρικό εργαλείο πριν σταματήσει τελειώς η λειτουργία του εξαρτήματος.

Το περιστρεφόμενο εξάρτημα μπορεί να αρπάξει την επιφάνεια και να χάσετε τον έλεγχο του ηλεκτρικού εργαλείου.

- m) Το ηλεκτρικό εργαλείο δεν πρέπει να λειτουργεί ενώ το μεταφέρετε.

Μια τυχαία επαφή με το περιστρεφόμενο εξάρτημα θα μπορούσε να πιάσει τα ρούχα σας τραβώντας το εξάρτημα προς το σώμα σας.

η) Καθαρίζετε τακτικά τις οπές αερισμού του ηλεκτρικού εργαλείου.

Ο ανεμιστήρας του μοτέρ απορροφάει τη σκόνη στο περιβλήμα και η υπερβολική συγκέντρωση ρινιμάτων μπορεί να προκαλέσει ηλεκτρικούς κινδύνους.

ο) Μην χρησιμοποιείτε το ηλεκτρικό εργαλείο κοντά σε εύφλεκτα υλικά.

Οι σπινθήρες μπορεί να αναφλέξουν αυτά τα υλικά.

ρ) Μην χρησιμοποιείτε εξαρτήματα που χρειάζονται ψυκτικό υγρό.

Η χρήση νερού ή άλλων ψυκτικών υγρών μπορεί να προκαλέσει θανατηφόρα ηλεκτροπληξία.

ε) Μην αναρτάτε λάμα κοπής ξύλου αλυσοπριονίου ή οδοντωτή λάμα πριονιού.

Οι λάμες αυτές δημιουργούν συχνά λακτίσματα και προκαλούν απώλεια ελέγχου.

ΠΡΟΕΙΔΟΠΟΙΗΣΕΙΣ ΑΣΦΑΛΕΙΑΣ ΕΙΔΙΚΑ ΓΙΑ ΛΕΙΤΟΥΡΓΙΕΣ ΑΜΜΟΒΟΛΗΣ

α) Μη χρησιμοποιείτε ιδιαίτερος ευμεγέθη χαρτιά για το δίσκο αμμοβολής.

Ακολουθήστε τις συστάσεις των κατασκευαστών, όταν επιλέγετε χαρτί αμμοβολής.

Μεγαλύτερο χαρτί αμμοβολής που εξέχει από το σμυριδόπανο, παρουσιάζει το κίνδυνο χάραξης καθώς και πιθανή πρόκληση σκαλώματος, αποκοπής του δίσκου ή λακτίσμα.

ΠΡΟΕΙΔΟΠΟΙΗΣΕΙΣ ΑΣΦΑΛΕΙΑΣ ΕΙΔΙΚΑ ΓΙΑ ΛΕΙΤΟΥΡΓΙΕΣ ΣΤΙΑΒΩΣΗΣ

α) Μην αφήνετε χαλαρά κομμάτια του καλύμματος στίλβωσης ή των προσαρτημένων χορδών να περιστρέφονται ελεύθερα.

Απομακρύνετε ή κόψτε οποιοσδήποτε χαλαρές προσαρτημένες χορδές.

Χαλαρές και περιστρεφόμενες προσαρτημένες χορδές μπορούν να πιάσουν τα δάχτυλά σας ή να σκαλώσουν στο αντικείμενο προς επεξεργασία.

ΠΡΟΥΠΕΡΛΑΚΤΙΚΑ ΜΕΤΡΑ ΠΑΝΩ ΣΤΗ ΧΡΗΣΗ ΤΟΥ ΗΛΕΚΤΡΟΝΙΚΟΥ ΩΝΙΑΚΟΥ ΤΡΙΒΕΙΟΥ

1. Ποτέ μην στερεώσετε ένα λειαντικό τροχό και επιχειρήσετε να χρησιμοποιήσετε αυτό το εργαλείο ως λειαντή.

2. Πάντοτε να κρατάτε τη λαβή του κορμού και την πλευρική λαβή του ηλεκτρικού εργαλείου γερά. Διαφορετικά η αντίθετη δύναμη που παράγεται μπορεί να προκαλέσει την λανθασμένη και ακόμα περισσότερη την επικίνδυνη λειτουργία.

3. Εξασφαλίστε ότι οι σπίνθες που προκαλούνται από την χρήση δεν προκαλούν κίνδυνο π.χ. δεν χτυπούν ανθρώπους, ή αναφλέγουν εύφλεκτα υλικά.

4. Πάντοτε να χρησιμοποιείτε προστατευτικά γυαλιά ασφαλείας και προστατευτικά ακοής, χρησιμοποιήστε άλλο προσωπικό προστατευτικό εξοπλισμό όπως γάντια, ποδιά και κράνος όταν είναι απαραίτητο.

5. Πάντοτε να χρησιμοποιείτε προστατευτικά ματιών και ακοής.

Άλλος προσωπικός προστατευτικός εξοπλισμός όπως μάσκα σκόνης, γάντια, κράνος και ποδιά πρέπει να φοριούνται όταν είναι απαραίτητο.

Αν έχετε αμφιβολία, φοράτε τον προστατευτικό εξοπλισμό.

ΛΑΚΤΙΣΜΑ ΚΑΙ ΣΧΕΤΙΚΕΣ ΠΡΟΕΙΔΟΠΟΙΗΣΕΙΣ

Λάκτισμα ονομάζεται η ξαφνική αντίδραση σε ένα ραγισμένο ή φθαρμένο περιστρεφόμενο τροχό με προεξοχές, βάση αλοϊφαδούρου, βούρτσα ή οποιοδήποτε άλλο εξάρτημα. Το ράγιμα ή το σκίσιμο προκαλούν απότομο σταμάτημα του περιστρεφόμενου εξαρτήματος, το οποίο με τη σειρά του προκαλεί την ώθηση του ανεξέλεγκτου ηλεκτρικού εργαλείου προς μία διεύθυνση αντίθετη από την περιστροφή του εξαρτήματος στο σημείο της εμπλοκής.

Εάν, για παράδειγμα, ένας τροχός λείανσης σκιστεί ή ραγίσει από το τεμάχιο εργασίας, το άκρο του τροχού που εισάγεται στο σημείο θραύσης μπορεί να σκάψει την επιφάνεια του υλικού, προκαλώντας την ανεξέλεγκτη έξοδο ή το λάκτισμα του τροχού. Ο τροχός μπορεί να αναπηδήσει προς το χειριστή ή προς την αντίθετη κατεύθυνση από αυτόν, ανάλογα με τη διεύθυνση της κίνησης του τροχού τη στιγμή της θραύσης. Οι τροχοί λείανσης μπορεί επίσης να σπάσουν υπό αυτές τις συνθήκες.

Το λάκτισμα είναι αποτέλεσμα της εσφαλμένης μεταχείρισης του ηλεκτρικού εργαλείου και/ή εσφαλμένων λειτουργικών διαδικασιών ή συνθηκών και μπορεί να αποφευχθεί με τη λήψη των κατάλληλων προφυλάξεων, όπως περιγράφεται στη συνέχεια.

α) Κρατάτε σταθερά το ηλεκτρικό εργαλείο και τοποθετήστε το σώμα και το χέρι σας έτσι, ώστε να μπορείτε να αντισταθείτε σε δυνάμεις ανάκρουσης. Χρησιμοποιείτε πάντα μία βοηθητική λαβή, εάν παρέχεται, για μέγιστο έλεγχο του λακτίσματος ή αντίδραση ροπής κατά την εκκίνηση.

Ο χειριστής μπορεί να ελέγχει τις αντιδράσεις ροπής ή τις δυνάμεις ανάκρουσης, εάν έχουν ληφθεί τα κατάλληλα μέτρα προφύλαξης.

β) Μην έχετε ποτέ το χέρι σας κοντά στο περιστρεφόμενο εξάρτημα.

Το εξάρτημα μπορεί να λακτίσει πάνω από το χέρι σας.

γ) Μην τοποθετείτε το σώμα σας στην περιοχή που θα κινηθεί το ηλεκτρικό εργαλείο, εάν λακτίσει.

Το λάκτισμα θα τινάξει το εργαλείο προς την αντίθετη διεύθυνση από την κίνηση του τροχού τη στιγμή της θραύσης.

δ) Να είστε ιδιαίτερα προσεκτικοί όταν εργάζεστε σε γωνίες, αιχμηρά άκρα κ.λπ. Αποφύγετε την αναπήδηση και τη φθορά του εξαρτήματος.

Οι γωνίες, τα αιχμηρά άκρα ή η αναπήδηση έχουν την τάση να φθείρουν το περιστρεφόμενο εξάρτημα και να προκαλούν απώλεια ελέγχου ή λακτίσμα.

ΤΕΧΝΙΚΑ ΧΑΡΑΚΤΗΡΙΣΤΙΚΑ

Τάση (ανά περιοχές)*	(110V, 120V, 220V, 230V, 240V) ~
Ισχύς εισόδου	1250 W*
Ταχύτητα χωρίς φορτίο	0 – 3400 min ⁻¹
Συνιστώμενη ταχύτητα	3750 min ⁻¹
Μέγεθος Δίσκου Λείανσης εξωτερική διάμετρος × εσωτερική διάμετρος	180 × 22 mm
Βάρος (χωρίς καλώδιο, κανονικά εξαρτήματα)	2,8 kg

* Βεβαιωθείτε να ελέγξετε την πινακίδα στο προϊόν επειδή υπόκεινται σε αλλαγή σε εξάρτηση από την περιοχή.

ΚΑΝΟΝΙΚΑ ΕΞΑΡΤΗΜΑΤΑ

- (1) Λαστιχένιο παρέμβυσμα 1
 (2) Χερούλι με σχήμα θηλιάς
 (με μπουλόνι και ροδέλα) 1
 (3) Κλειδί Άλεν 1
 Τα κανονικά εξαρτήματα υπόκεινται σε αλλαγή χωρίς προειδοποίηση.

ΕΦΑΡΜΟΓΕΣ

- Λείανση μεταλλικών επιφανειών
- Προκαταρτικό ξύσιμο μεταλλικών επιφανειών πριν από το βάψιμο, αφαίρεση σκουριάς, αφαίρεση παλιάς μπογιάς πριν από την επαναβαφή.
- Φινιρίσμα ξυλουργικών εργασιών, διόρθωση προεξοχών ξύλου από ενώσεις ή μονταρίσματα.
- Προκαταρτικό ξύσιμο ξύλινων επιφανειών πριν το βάψιμο.
- Λουστράρισμα ή στίλβωμα βαμμένων μεταλλικών επιφανειών, όπως αυτοκινήτων, τρένων, ανελκυστήρων, ψυγείων, ραπτομηχανών, πλυντηρίων, μεταλλικών συσκευών κλπ.
- Λουστράρισμα βερνικωμένων επιφανειών ξύλινων επίπλων, κλπ.
- Γυάλισμα συνθετικών ρητινών ή προζόντων εβονίτη κλπ.

ΠΡΙΝ ΤΗ ΛΕΙΤΟΥΡΓΙΑ

1. Πηγή ρεύματος

Βεβαιωθείτε ότι η πηγή ρεύματος που πρόκειται να χρησιμοποιηθεί είναι εναρμονισμένη με τις απαιτήσεις σε ρεύμα που αναφέρεται στην πινακίδα του εργαλείου.

ΠΡΟΣΟΧΗ

Μην λειτουργείτε σε πηγή ισχύος Άμεσου Ρεύματος.

2. Διακόπτης ρεύματος

Βεβαιωθείτε ότι ο διακόπτης ρεύματος βρίσκεται στη θέση OFF. Αν το βίσμα είναι στη μπρίζα καθώς ο διακόπτης ρεύματος βρίσκεται στο ON, το εργαλείο θα αρχίσει να λειτουργεί αμέσως, με πιθανότητα πρόκλησης σοβαρού ατυχήματος.

3. Καλώδιο προέκτασης

Όταν ο χώρος εργασίας βρίσκεται μακριά από την παροχή ρεύματος. Χρησιμοποιήστε ένα καλώδιο προέκτασης με κατάλληλο πάχος και ικανότητα μεταφοράς ρεύματος. Το καλώδιο προέκτασης πρέπει να είναι τόσο κοντό όσο είναι πρακτικά δυνατό.

4. Επιβεβαιώστε την ασφαλιστική περόνη

Επιβεβαιώστε ότι η ασφαλιστική περόνη είναι απενεργοποιημένη σπρώχνοντας την ασφαλιστική περόνη δυο ή τρεις φορές πριν θέσετε σε λειτουργία το ηλεκτρικό εργαλείο. (Βλέπε **Εικ. 3, 4**)

5. Στερέωση του χερουλιού που έχει σχήμα θηλιάς

Στερεώστε το χερούλι που έχει σχήμα θηλιάς με ένα μπουλόνι και μια ροδέλα στο κάλυμμα των ταχυτήτων.

6. RCD

Συνιστάται συνέχεια η χρήση διάταξης παραμένουτος ρεύματος με ονομαστικό παραμένον ρεύμα 30mA ή λιγότερο.

ΠΡΑΚΤΙΚΕΣ ΕΦΑΡΜΟΓΕΣ ΤΟΥ ΗΛΕΚΤΡΟΝΙΚΟΥ ΓΩΝΙΑΚΟΥ ΤΡΙΒΕΙΟΥ

Η ταχύτητα του μοτέρ αυξάνει με την αύξηση της πίεσης στη σκανδάλη. Ελευθερώστε την σκανδάλη για να σταματήσει.

Για συνεχή λειτουργία, τραβήξτε την σκανδάλη και σπρώξτε το κουμπί κλειδώματος. Για να σταματήσετε το μοτέρ από την κλειδωμένη θέση, τραβήξτε πλήρως την σκανδάλη, μετά ελευθερώστε την. Η ταχύτητα του μοτέρ μπορεί να ποικίλει κατά το δοκούν με το να περιστρέψετε το καντράν. Αυξάνει περιστρέφοντας το καντράν προς το "6", ελαττώνεται περιστρέφοντας το προς το "1" (**Εικ. 1**).

Επιλέξτε την ταχύτητα του μοτέρ που είναι κατάλληλη για την εργασία που εκτελείται. Ο παρακάτω πίνακας δίνει τις ταχύτητες του μοτέρ που αντιστοιχούν στην κάθε ένδειξη της κλίμακας του καντράν και δείχνει τους τύπους της εργασίας για τις οποίες είναι κατάλληλος.

Ένδειξη του καντράν	min ⁻¹	Είδος εργασίας
1	600	Για Λουστράρισμα
2	1100	
3	1700	
4	2300	Για Ξύσιμο
5	2900	
6	3400	

ΠΡΟΣΟΧΗ

Το καντράν δεν μπορεί να περιστραφεί περισσότερο από "6" ή "1" στην κλίμακα προς τις αντίστοιχες τους διευθύνσεις.

1. Λειτουργία λειαντή

(1) Αυτή η μονάδα είναι σχεδιασμένη για να παρέχει επαρκή δύναμη για λουστράρισμα (λείανση) με τον δίσκο ελαφρά πιεζόμενο ενάντια της επιφάνειας προς λείανση / λουστράρισμα: είναι εφοδιασμένη με κύκλωμα ηλεκτρονικού έλεγχου για να εξασφαλίσει ότι το μοτέρ δεν θα επιβραδυνθεί όταν φορτωθεί. Δεν υπάρχει επομένως η ανάγκη να πατήσετε τον δίσκο λείανσης γερά ενάντια στην επιφάνεια, όταν το κάνετε αυτό μπορεί να υπερφορτωθεί το μοτέρ, που κατά συνέπεια θα προκαλέσει την ενεργοποίηση της συσκευής διακοπής της υπερφόρτωση, σταματώντας την παροχή ρεύματος στο μοτέρ.

Αν αυτό συμβεί, ελευθερώστε τον διακόπτη ρεύματος και ρυθμίστε την σωστή ταχύτητα του μοτέρ.

(2) Μην βάζετε όλη την επιφάνεια του δίσκου στην επιφάνεια του υλικού. Όταν δείχνεται στην **Εικ. 2**, το τριβείο πρέπει να κλιπείται σε κατά προσέγγιση γωνία 15ο με 25ο σε σχέση την επιφάνεια του υλικού έτσι ώστε το περιφερειακό τμήμα του δίσκου τριβής να εφαρμόζεται με την επιφάνεια του υλικού.

(3) Προφύλαξη αμέσως μετά το τελείωμα μιας χρήσης: Μετά το κλείσιμο του διακόπτη OFF, μην βάζετε το τριβείο κάτω έως ότου ο δίσκος λείανσης σταματήσει τελείως. Αυτή η προφύλαξη όχι μόνο θα προλάβει ένα σοβαρό τραυματισμό, αλλά επίσης θα ελαττώσει την ποσότητα της σκόνης και ρινομάτων που τραβιούνται μέσα στο μηχάνημα.

2. Λειτουργία Λουστράριματος

(1) Καμπυλωτές επιφάνειες καθώς επίσης και επίπεδες επιφάνειες μπορούν αποτελεσματικά να φινιριστούν. Μην σπρώχνετε υπερβολικά το λουστραδόρο ενάντια στην επιφάνεια του υλικού. Το βάρος του λουστραδόρου και μόνο είναι επαρκές για ένα αποτελεσματικό λουστράρισμα. Η υπερβολική πίεση θα προκαλέσει σε ένα φτωχό φινίρισμα και θα προκαλέσει πιθανή υπερφόρτιση του μοτέρ.

(2) Ο λειαντικός δίσκος, το υλικό λουστράριματος ή το κερί πρέπει να επιλεγούν σύμφωνα με το υλικό και την επιθυμητή επιφάνεια φινιρίσματος. Το μέγιστο αποτέλεσμα λουστράριματος θα επιτευχθεί ακολουθώντας την παρακάτω μέθοδο:

- Προκαταρκτικό λουστράρισμα με τον λειαντή χρησιμοποιώντας ένα λεπτόκοκκο δίσκο λείανσης.
- Λουστράρισμα με μάλλινη κουκούλα χρησιμοποιώντας ένα μικρό λουστράρισμα και /ή κερί. Βάλτε μια μικρή ποσότητα του υλικού λουστράριματος και /ή κερί στην επιφάνεια του αντικειμένου και λουστράρετε με τη μάλλινη κουκούλα.

ΠΡΟΣΟΧΗ

- Προσέχετε να μην επιτρέψετε το λαστιχένιο καλώδιο να αγγίζει τη μάλλινη κουκούλα ή τον δίσκο λείανσης κατά την λειτουργία. Αν το καλώδιο αγγίξει, υπάρχει κίνδυνος να μπερδευτεί.
- Μην χρησιμοποιείτε τον πείρο κλειδώματος ως φρένο για να σταματήσετε το εργαλείο καθώς αυτό μπορεί να οδηγήσει σε καταστροφή του κινητήρα ή αποκόλληση του εργαλείου.

ΣΥΝΑΡΜΟΛΟΓΗΣΗ ΚΑΙ ΑΠΟΣΥΝΑΡΜΟΛΟΓΗΣΗ ΤΟΥ ΔΙΣΚΟΥ ΛΕΙΑΝΣΗΣ ΚΑΙ ΤΗΣ ΜΑΛΛΙΝΗΣ ΚΟΥΚΟΥΛΑΣ

1. Για την λειτουργία λειαντή (Εικ. 3)

- (1) Μετά την τοποθέτηση του δίσκου λείανσης στο λαστιχένιο παρέμβυσμα, περάστε το παξιμάδι με το ροδέλα στον άξονα.
- (2) Πατήστε την ασφαλιστική περόνη για να στερεώσετε τον άξονα και σφίξτε το παξιμάδι με τη ροδέλα με ένα κλειδί.
- (3) Για να αφαιρέσετε τον δίσκο λείανσης ακολουθήστε την παραπάνω διαδικασία αντίστροφα.

2. Για λειτουργία Λουστραδόρου (Εικ. 4)

- (1) Βάλτε το παξιμάδι με τη ροδέλα μέσα στο λαστιχένιο παρέμβυσμα και περάστε το μέσα στον άξονα.
- (2) Πατήστε την ασφαλιστική περόνη για να στερεώσετε τον άξονα και σφίξτε το παξιμάδι με τη ροδέλα με ένα κλειδί.
- (3) Όπως δείχνεται στην **Εικ. 5**, τυλίξτε το λαστιχένιο παρέμβυσμα με τη χοάνη της μάλλινης κουκούλας, και γερά στερεώστε τη σφιγγοντας και δένοντας το περιστροφικό κορδόνι. Βεβαιωθείτε ότι το παραπάνω κορδόνι είναι καλά διπλωμένο μέσα στη μάλλινη κουκούλα για να αποτραπεί να βγει έξω κατά την διάρκεια του λουστράριματος.

ΠΡΟΣΟΧΗ

Η ακατάλληλη τοποθέτηση της μάλλινης κουκούλας θα προκαλέσει κραδασμό.

- (4) Για να αφαιρέσετε τη μάλλινη κουκούλα, ακολουθήστε τις παραπάνω διαδικασίες αντίστροφα.

ΠΡΟΣΟΧΗ:

- Χρησιμοποιήστε ένα κλειδί για να σφίξτε επαρκώς το παξιμάδι που έχει ροδέλα.
- Μετά την ελευθέρωση της ασφαλιστικής περόνης, ελέγξτε για να βεβαιωθείτε ότι έχει επιστρέψει στην φυσιολογική της θέση.

ΣΥΝΤΗΡΗΣΗ ΚΑΙ ΕΠΙΘΕΩΡΗΣΗ

1. Έλεγχος των διωδών στερέωσης

Ελέγχετε περιοδικά όλες τις βίδες στερέωσης και βεβαιωθείτε ότι είναι κατάλληλα σφιγμένες. Στην περίπτωση που χαλαρώσει οποιαδήποτε βίδα σφίξτε την ξανά αμέσως. Αν δεν το κάνετε αυτό μπορεί να έχει ως αποτέλεσμα το σοβαρό τραυματισμό.

2. Έλεγχος στα καρβουνάκια (Εικ. 6).

Το μοτέρ χρησιμοποιεί καρβουνάκια τα οποία είναι αναλώσιμα μέρη. Επειδή ένα υπερβολικά φθαρμένο καρβουνάκι μπορεί να προκαλέσει πρόβλημα στο μοτέρ αντικαταστήστε το καρβουνάκι με καινούργιο το οποίο έχει τον ίδιο Αριθμό Άνθρακα που φαίνεται στην εικόνα όταν φθαρεί ή όταν φτάσει στο όριο φθοράς. Επιπρόσθετα, πάντοτε κρατάτε τα καρβουνάκια καθαρά και εξασφαλίστε ότι ολισθαίνουν ελεύθερα ανάμεσα στις θήκες.

3. Αντικατάσταση των καρβουνακίων:

Αποσυνδέστε τα καλύμματα των καρβουνακίων με ένα κατσαβίδι εγκοπώμενης κεφαλής. Τα καρβουνακία μπορούν μετά να αφαιρεθούν εύκολα.

4. Συντήρηση του μοτέρ

Η περιέλιξη της μονάδα του μοτέρ είναι η καρδιά του ηλεκτρικού εργαλείου. Δώστε μεγάλη προσοχή για να σιγουρευτείτε ότι η περιέλιξη δεν θα πάθει ζημιά και / ή θα βρεχθεί με λάδι ή νερό.

5. **Καθαρισμός του τμήματος της ασφαλιστικής περόνης**
Αν το τμήμα της ασφαλιστικής περόνης καταστεί βρόμικο, καθαρίστε το αμέσως.
6. **Λίστα συντήρησης των μερών**
Α: Αρ. Αντικειμένου
Β: Αρ. Κωδικού
C: Αρ. που χρησιμοποιήθηκε
D: Παρατηρήσεις

ΠΡΟΣΟΧΗ

Η επισκευή, η τροποποίηση και ο έλεγχος των Ηλεκτρικών Εργαλείων Hitachi πρέπει να γίνεται από ένα Εξουσιοδοτημένο κέντρο σέρβις της Hitachi.

Αυτή η λίστα των Μερών θα είναι χρήσιμη αν παρουσιαστεί μαζί με το εργαλείο στο εξουσιοδοτημένο Κέντρο Σέρβις της Hitachi όταν ζητάτε επισκευή ή κάποια άλλη συντήρηση.

Κατά τον έλεγχο και τη συντήρηση των ηλεκτρικών εργαλείων, οι κανόνες ασφαλείας και οι κανονισμοί που υπάρχουν σε κάθε χώρα πρέπει να ακολουθούνται.

ΤΡΟΠΟΠΟΙΗΣΗ

Τα Ηλεκτρικά Εργαλεία Hitachi βελτιώνονται συνεχώς και τροποποιούνται για να συμπεριλάβουν τις τελευταίες τεχνολογικές προόδους.

Κατά συνέπεια, ορισμένα τμήματα (δηλ. κωδικοί αριθμοί και / ή σχεδιασμός) μπορούν να αλλάξουν χωρίς προηγούμενη ειδοποίηση.

ΕΓΓΥΗΣΗ

Εγγυώμαστε τα εργαλεία Hitachi Power Tools σύμφωνα με τη νομοθεσία και τους κανονισμούς ανά χώρα. Η παρούσα εγγύηση δεν καλύπτει ελαττώματα ή ζημιές λόγω κακής χρήσης, κακοποίησης ή φυσιολογικής φθοράς. Σε περίπτωση παραπόνων παρακαλούμε αποστείλετε το Power Tool χωρίς να το αποσυναρμολογήσετε μαζί με το ΠΙΣΤΟΠΟΙΗΤΙΚΟ ΕΓΓΥΗΣΗΣ το οποίο βρίσκεται στο τέλος των οδηγιών αυτών, σε Εξουσιοδοτημένο Κέντρο Επισκευής της Hitachi.

ΣΗΜΕΙΩΣΗ

Εξαιτίας του συνεχιζόμενου προγράμματος έρευνας και ανάπτυξης της Hitachi τα τεχνικά χαρακτηριστικά που εδώ αναφέρονται μπορούν να αλλάξουν χωρίς προηγούμενη ειδοποίηση.

Πληροφορίες που αφορούν τον εκπεμπόμενο θόρυβο και τη δόνηση.

Οι τιμές μετρήθηκαν σύμφωνα με το EN60745 και βρέθηκαν σύμφωνες με το ISO 4871.

Ένα τυπικό επίπεδο πίεσης ήχου A : 83 dB (A).

Ένα τυπικό επίπεδο A ηχητικής ισχύος Είνα: 94 dB (A).
Αβεβαιότητα ΚρΑ: 3 dB (A)

Φοράτε προστατευτικά αυτιών.

Συνολικές τιμές δόνησης (διανυσματικό άθροισμα τριαξονικού καλωδίου) που καθορίζονται σύμφωνα με το πρότυπο EN60745.

Στίλβωση:

Τιμή εκπομπής δόνησης $a_{h,p}$ = 5,6 m/s²

Αβεβαιότητα K = 2,2 m/s²

Ξύσιμο:

Τιμή εκπομπής δόνησης $a_{h,DS}$ = 3,8 m/s²

Αβεβαιότητα K = 1,5 m/s²

Η δηλωμένη συνολική τιμή δόνησης έχει μετρηθεί σύμφωνα με μία τυπική μέθοδο δοκιμής και μπορεί να χρησιμοποιηθεί για τη σύγκριση ενός εργαλείου με ένα άλλο.

Μπορεί να χρησιμοποιείται επίσης σε προκαταρκτικές αξιολογήσεις έκθεσης.

ΠΡΟΣΟΧΗ

- Η εκπομπή δόνησης κατά την ουσιαστική χρήση του ηλεκτρικού εργαλείου μπορεί να διαφέρει από τη συνολική δηλωμένη τιμή, ανάλογα με το που και πως χρησιμοποιείται το εργαλείο.
- Αναγνωρίστε μέτρα ασφαλείας για την προστασία του χειριστή που βασίζονται σε μία εκτίμηση της έκθεσης στις πραγματικές συνθήκες χρήσης (λαμβάνοντας υπόψη όλα τα μέρη του κύκλου λειτουργίας όπως τα διαστήματα που το εργαλείο είναι απενεργοποιημένο και όταν λειτουργεί στο ρελαντί μαζί με το χρόνο διέγερσης).

<p>English</p> <p align="center"><u>GUARANTEE CERTIFICATE</u></p> <ol style="list-style-type: none"> ① Model No. ② Serial No. ③ Date of Purchase ④ Customer Name and Address ⑤ Dealer Name and Address (Please stamp dealer name and address) 	<p>Nederlands</p> <p align="center"><u>GARANTIEBEWIJS</u></p> <ol style="list-style-type: none"> ① Modelnummer ② Serienummer ③ Datum van aankoop ④ Naam en adres van de gebruiker ⑤ Naam en adres van de handelaar (Stempel a.u.b. naam en adres vande de handelaar)
<p>Deutsch</p> <p align="center"><u>GARANTIESCHEIN</u></p> <ol style="list-style-type: none"> ① Modell-Nr. ② Serien-Nr. ③ Kaufdatum ④ Name und Anschrift des Kunden ⑤ Name und Anschrift des Händlers (Bitte mit Namen und Anschrift des Handlers abstempeln) 	<p>Español</p> <p align="center"><u>CERTIFICADO DE GARANTIA</u></p> <ol style="list-style-type: none"> ① Número de modelo ② Número de serie ③ Fecha de adquisición ④ Nombre y dirección del cliente ⑤ Nombre y dirección del distribuidor (Se ruega poner el sellú del distribuidor con su nombre y dirección)
<p>Français</p> <p align="center"><u>CERTIFICAT DE GARANTIE</u></p> <ol style="list-style-type: none"> ① No. de modèle ② No de série ③ Date d'achat ④ Nom et adresse du client ⑤ Nom et adresse du revendeur (Cachet portant le nom et l'adresse du revendeur) 	<p>Português</p> <p align="center"><u>CERTIFICADO DE GARANTIA</u></p> <ol style="list-style-type: none"> ① Número do modelo ② Número do série ③ Data de compra ④ Nome e morada do cliente ⑤ Nome e morada do distribuidor (Por favor, carimbe o nome e morada do distribuidor)
<p>Italiano</p> <p align="center"><u>CERTIFICATO DI GARANZIA</u></p> <ol style="list-style-type: none"> ① Modello ② N° di serie ③ Data di acquisto ④ Nome e indirizzo dell'acquirente ⑤ Nome e indirizzo del rivenditore (Si prega di apporre il timbro con questi dati) 	<p>Ελληνικά</p> <p align="center"><u>ΠΙΣΤΟΠΟΙΗΤΙΚΟ ΕΓΓΥΗΣΗΣ</u></p> <ol style="list-style-type: none"> ① Αρ. Μοντέλου ② Αύξων Αρ. ③ Ημερομηνία αγοράς ④ Όνομα και διεύθυνση πελάτη ⑤ Όνομα και διεύθυνση μεταπωλητή (Παρακαλούμε να χρησιμοποιηθεί σφραγίδα)



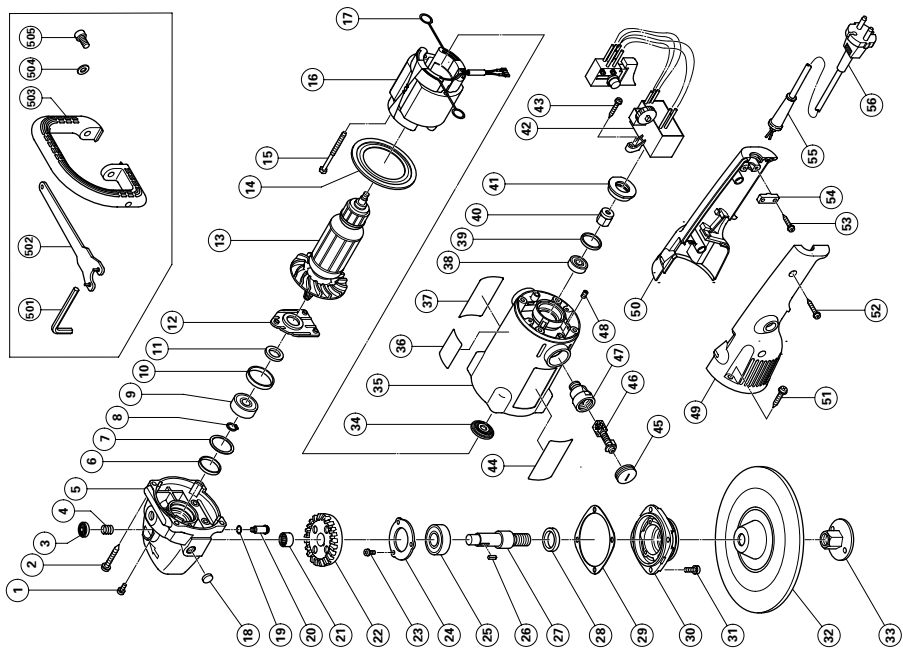
HITACHI

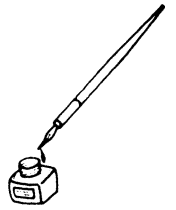
①	
②	
③	
④	
⑤	



A	B	C	D
43	305-095	2	D4×20
44	945-161	2	
45	999-043	2	
46	958-900	2	M5×8
47	938-477	2	
48	320-939	1	
49	320-938	1	
50	302-099	4	D5×20
51	302-086	2	D4×20
52	984-750	2	D4×16
53	937-631	1	
54	953-327	1	
55	955-857	1	8MM
56	937-913Z	1	
501	320-949	1	M10
502	949-434	2	
503	949-844	2	M10×20

A	B	C	D
1	303-255	3	M4×10
2	305-507	4	D5×30
3	306-888	1	
4	306-889	1	
5	320-936	1	"3, 4, 18-21"
6	315-055	1	
7	315-054	1	
8	939-540	1	
9	620-0DD	1	6200DDCMPS2L
10	315-053	1	
11	315-052	1	
12	315-051	1	
13	360-576U	1	110V-120V "9, 11, 34, 38"
13	360-576E	1	220V-240V
14	315-046	1	
15	961-501	2	D5×60
16	340-526C	1	110V "17"
16	340-526E	1	220V-240V
17	930-703	2	
18	315-049	1	
19	320-218	1	
20	315-050	1	
21	871-397	1	
22	320-937	1	
23	987-201	3	M4×10
24	937-077	1	
25	620-2DD	1	620DDCMPS2L
26	940-533	1	3×3×10
27	320-943	1	
28	315-062	1	
29	315-060	1	
30	315-061	1	
31	315-636	4	M5×14
32	953-247Z	1	
33	953-246Z	1	
34	315-047	1	
35	320-945	1	"39, 41, 47, 48"
36	320-948	1	
37	608-VVM	1	608VVC2PS2L
38	995-662	1	
39	995-662	1	
40	318-721	1	
41	320-949	1	
42	320-941	1	"GBR (110V)"
42	320-940	1	





Hitachi Power Tools Europe GmbH

Siemensring 34, 47877 Willich 1, F. R. Germany
Tel: +49 2154 49930
Fax: +49 2154 499350
URL: <http://www.hitachi-powertools.de>

Hitachi Power Tools Netherlands B. V.

Brabanthaven 11, 3433 PJ Nieuwegein, The Netherlands
Tel: +31 30 6084040
Fax: +31 30 6067266
URL: <http://www.hitachi-powertools.nl>

Hitachi Power Tools (U. K.) Ltd.

Precedent Drive, Rooksley, Milton Keynes, MK 13, 8PJ, United Kingdom
Tel: +44 1908 660663
Fax: +44 1908 606642
URL: <http://www.hitachi-powertools.co.uk>

Hitachi Power Tools France S. A. S.

Prac del' Eglantier 22, rue des Crerisiers Lisses, C. E. 1541,
91015 EVRY CEDEX, France
Tel: +33 1 69474949
Fax: +33 1 60861416
URL: <http://www.hitachi-powertools.fr>

Hitachi Power Tools Belgium N.V. / S.A.

Koningin Astridlaan 51, 1780 Wommel, Belgium
Tel: +32 2 460 1720
Fax: +32 2 460 2542
URL <http://www.hitachi-powertools.be>

Hitachi Fercad Power Tools Italia S.p.A

Via Retrone 49-36077, Altavilla Vicentina (VI), Italy
Tel: +39 0444 548111
Fax: +39 0444 548110
URL: <http://www.hitachi-powertools.it>

Hitachi Power Tools Iberica, S.A.

C / Migjorn, s/n, Poligono Norte, 08226 Terrassa, Barcelona, Spain
Tel: +34 93 735 6722
Fax: +34 93 735 7442
URL: <http://www.hitachi-powertools.es>

Hitachi Power Tools Österreich GmbH

Str. 7, Objekt 58/A6, Industriezentrum NÖ –Süd 2355
Wiener Neudorf, Austria
Tel: +43 2236 64673/5
Fax: +43 2236 63373

<p>English</p> <p>EC DECLARATION OF CONFORMITY</p> <p>We declare under our sole responsibility that this product is in conformity with standards or standardization documents EN60745, EN55014 and EN61000 in accordance with Directives 2004/108/EC and 2006/42/EC. This product also conforms to RoHS Directive 2011/65/EU.</p> <p>The European Standards Manager at Hitachi Koki Europe Ltd. is authorized to compile the technical file.</p> <p>This declaration is applicable to the product affixed CE marking.</p>	<p>Nederlands</p> <p>EC VERKLARING VAN CONFORMITEIT</p> <p>Wij verklaren onder eigen verantwoordelijkheid dat dit product conform de richtlijnen of gestandaardiseerde documenten EN60745, EN55014 en EN61000 voldoet aan de eisen van bepalingen 2004/108/EC en 2006/42/EC. Dit product voldoet ook aan de RoHS-richtlijn 2011/65/EU.</p> <p>De manager voor Europese normen van Hitachi Koki Europe Ltd. heeft de bevoegdheid tot het samenstellen van het technische bestand.</p> <p>Deze verklaring is van toepassing op producten voorzien van de CE-markeringen.</p>
<p>Deutsch</p> <p>EG-KONFORMITÄTSERKLÄRUNG</p> <p>Wir erklären mit alleiniger Verantwortung, dass dieses Produkt den Standards oder Standardisierungsdokumenten EN60745, EN55014 und EN61000 in Übereinstimmung mit den Direktiven 2004/108/EG und 2006/42/EG entspricht. Dieses Produkt stimmt auch mit der RoHS-Richtlinie 2011/65/EU überein.</p> <p>Der Manager für europäische Standards bei der Hitachi Koki Europe Ltd. ist zum Verfassen der technischen Datei befugt.</p> <p>Diese Erklärung gilt für Produkte, die die CE-Markierung tragen.</p>	<p>Español</p> <p>DECLARACIÓN DE CONFORMIDAD DE LA CE</p> <p>Declaramos bajo nuestra única responsabilidad que este producto está de acuerdo con las normas o con los documentos de normalización EN60745, EN55014 y EN61000, según indican las Directrices 2004/108/CE y 2006/42/CE. Este producto satisface también los requisitos establecidos por la Directiva 2011/65/EU (RoHS).</p> <p>El Jefe de Normas Europeas de Hitachi Koki Europe Ltd. está autorizado para recopilar archivos técnicos.</p> <p>Esta declaración se aplica a los productos con marcas de la CE.</p>
<p>Français</p> <p>DECLARATION DE CONFORMITE CE</p> <p>Nous déclarons sous notre seule et entière responsabilité que ce produit est conforme aux normes ou documents de normalisation EN60745, EN55014 et EN61000 en accord avec les Directives 2004/108/CE et 2006/42/CE. Ce produit est aussi conforme à la Directive RoHS 2011/65/EU.</p> <p>Le responsable des normes européennes d'Hitachi Koki Europe Ltd. est autorisé à compiler les données techniques.</p> <p>Cette déclaration s'applique aux produits désignés CE.</p>	<p>Português</p> <p>DECLARAÇÃO DE CONFORMIDADE CE</p> <p>Declaramos, sob nossa única e inteira responsabilidade, que este produto está de acordo com as normas ou documentos normativos EN60745, EN55014 e EN61000, em conformidade com as Diretrizes 2004/108/CE e 2006/42/CE. Este produto está também em conformidade com a Directiva RoHS 2011/65/EU.</p> <p>O Gestor de Normas Europeias da Hitachi Koki Europe Ltd. está autorizado a compilar o ficheiro técnico.</p> <p>Esta declaração se aplica aos produtos designados CE.</p>
<p>Italiano</p> <p>DICHIARAZIONE DI CONFORMITÀ CE</p> <p>Dichiariamo sotto nostra responsabilità che questo prodotto è conforme agli standard o ai documenti sulla standardizzazione EN60745, EN55014 e EN61000 in conformità alle Direttive 2004/108/CE e 2006/42/CE. Il prodotto è inoltre conforme alla direttiva RoHS 2011/65/EU.</p> <p>Il Responsabile delle Norme Europee di Hitachi Koki Ltd. è autorizzato a compilare la scheda tecnica.</p> <p>Questa dichiarazione è applicabile ai prodotti cui sono applicati i marchi CE.</p>	<p>Ελληνικά</p> <p>ΕΚ ΔΗΛΩΣΗ ΕΝΑΡΜΟΝΙΣΜΟΥ</p> <p>Δηλώνουμε με απόλυτη υπευθυνότητα ότι αυτό το προϊόν είναι εναρμονισμένο με τα πρότυπα ή τα έγγραφα δημιουργίας προτύπων EN60745, EN55014 και EN61000 σε συμφωνία με τις Οδηγίες 2004/108/ΕΚ και 2006/42/ΕΚ. Αυτό το προϊόν συμμορφώνεται επίσης με την οδηγία RoHS 2011/65/ΕΥ.</p> <p>Ο υπεύθυνος για τα ευρωπαϊκά πρότυπα στην Hitachi Koki Europe Ltd. είναι εξουσιοδοτημένος να συντάσσει τον τεχνικό φάκελο.</p> <p>Αυτή η δήλωση ισχύει στο προϊόν με το σημάδι CE.</p>

Representative office in Europe
Hitachi Power Tools Europe GmbH
Siemensring 34, 47877 Willich 1, F. R. Germany

Technical file at:
Hitachi Koki Europe Ltd.
Clonshaugh Business & Technology Park, Dublin 17, Ireland

Head office in Japan
Hitachi Koki Co., Ltd.
Shinagawa Intercity Tower A, 15-1, Konan 2-chome,
Minato-ku, Tokyo, Japan



31. 7. 2012

F. Tashimo

F. Tashimo
Vice-President & Director

 **Hitachi Koki Co., Ltd.**

207

Code No. C99110375 M
Printed in Malaysia