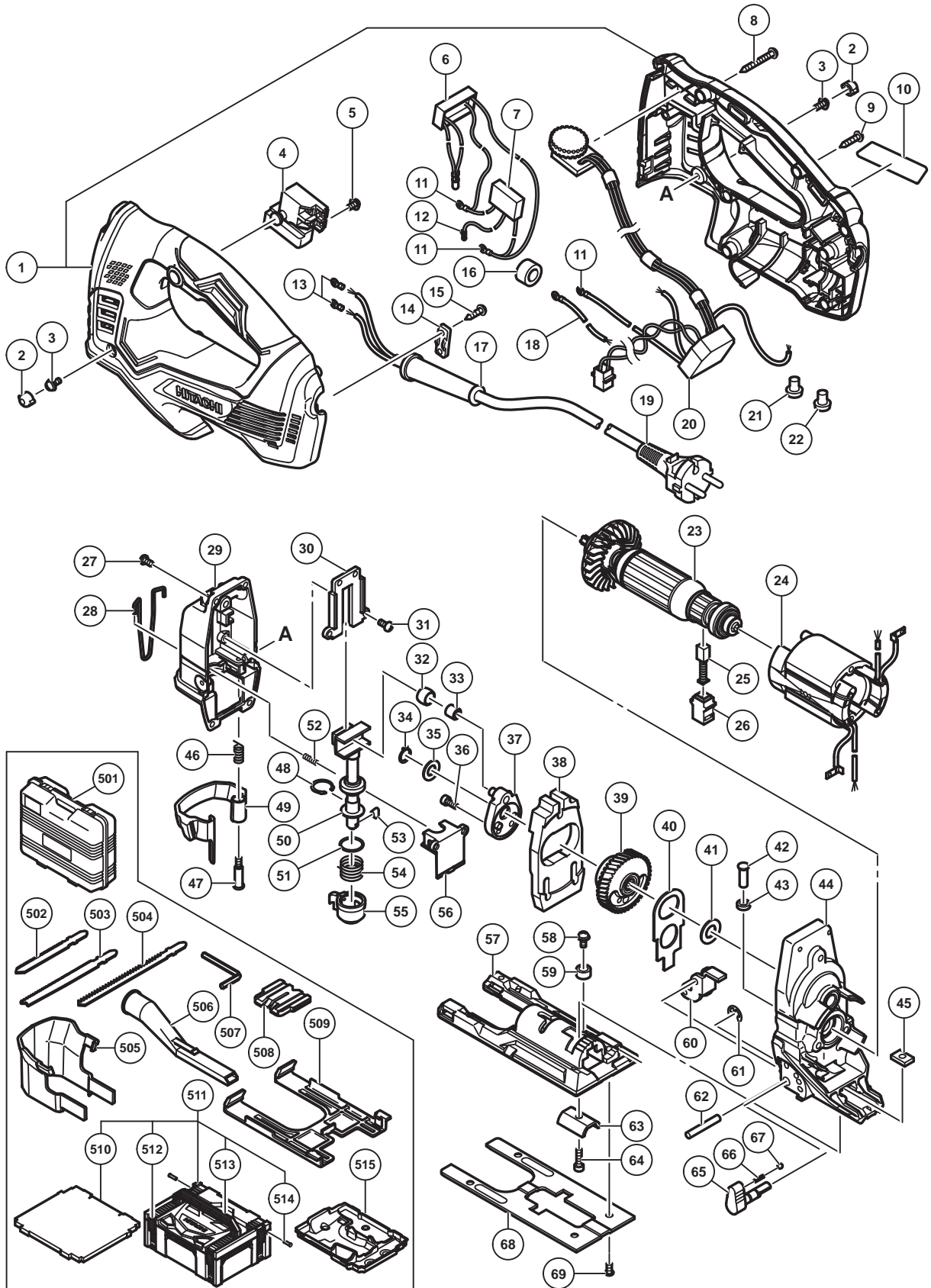


ELECTRIC TOOL PARTS LIST

JIG SAW
Model CJ 160V

2015 · 6 · 22
(E1)



PARTS

CJ 160V

ITEM NO.	CODE NO.	DESCRIPTION	NO. USED	REMARKS
1	338998	HOUSING SET	1	
2	339294	RUBBER COVER	2	
3	321577	SEAL LOCK SCREW (W/WASHER) M4 X 10	2	
4	339021	TRIGGER SWITCH	1	
5	305499	MACHINE SCREW (W/WASHER) M3.5 X 6	4	
*	6	338987	1	LED (A) 110V-120V
*	6	338988	1	LED (A) 220V-240V
*	7	994273	1	NOISE SUPPRESSOR FOR EUROPE,AUS,GBR,SAF,RUS,CHN
	8	306664	1	TAPPING SCREW (W/FLANGE) D4 X 40 (BLACK)
	9	301653	7	TAPPING SCREW (W/FLANGE) D4 X 20 (BLACK)
	10		1	NAME PLATE
	11	960356	3	TERMINAL (A) M3.5 (10 PCS.)
*	12	302488	1	EARTH TERMINAL FOR EUROPE,AUS,GBR,SAF,RUS,CHN
	13	980063	2	TERMINAL
	14	960266	1	CORD CLIP
	15	984750	2	TAPPING SCREW (W/FLANGE) D4 X 16
*	16	334379	1	FERRITE CORE (FOR CORD) FOR EUROPE,AUS,GBR (230V), SAF,RUS,CHN
*	16	334379	1	FERRITE CORE (FOR CONTROLLER) FOR GBR (110V)
*	17	953327	1	CORD ARMOR D8.8
*	17	938051	1	CORD ARMOR D10.1
*	18	339295	1	INTERNAL WIRE L230
*	18	339283	1	INTERNAL WIRE L300 FOR GBR (110V)
*	19	500247Z	1	CORD (CORD ARMOR D8.8)
*	19	500234Z	1	CORD (CORD ARMOR D8.8) FOR SAF,RUS,VIE,INA,IND
*	19	500455Z	1	CORD (CORD ARMOR D8.8) FOR THA,PHI,CHN
*	19	500240Z	1	CORD (CORD ARMOR D8.8) FOR USA,CAN
*	19	500423Z	1	CORD (CORD ARMOR D8.8) FOR SIN,UAE (230V)
*	19	323974	1	CORD (CORD ARMOR D10.1) FOR UAE (110V)
*	19	500450Z	1	CORD (CORD ARMOR D8.8) FOR GBR (230V)
*	19	500461Z	1	CORD (CORD ARMOR D8.8) FOR GBR (110V)
*	19	500439Z	1	CORD (CORD ARMOR D8.8) FOR AUS
*	20	338984	1	CONTROLLER 110V-120V
*	20	338985	1	CONTROLLER 220V-240V
	21	959140	1	CONNECTOR 50091 (10 PCS.)
	22	959141	1	CONNECTOR 50092 (10 PCS.)
*	23	361014C	1	ARMATURE SET 110V
*	23	361014U	1	ARMATURE SET 120V
*	23	361014E	1	ARMATURE SET 220V-240V
*	24	340915C	1	STATOR 110V
*	24	340915D	1	STATOR 120V-127V
*	24	340915E	1	STATOR 220V-240V
	25	999041	2	CARBON BRUSH (1 PAIR)
	26	955203	2	BRUSH HOLDER
	27	949217	4	MACHINE SCREW M4 X 12 (10 PCS.)
	28	339016	1	GUARD BAR
	29	339010	1	UPPER COVER
	30	339009	1	GUIDE PLATE
	31	326573	4	SEAL LOCK SCREW M4 X 10
	32	339007	1	CONNECTING PIECE

PARTS

CJ 160V

ITEM NO.	CODE NO.	DESCRIPTION	NO. USED	REMARKS	
33	940917	NEEDLE BEARING	1		
34	940079	RETAINING RING FOR D8 SHAFT	1		
35	963351	WASHER (B)	1		
36	983162	SEAL LOCK HEX. SOCKET HD. BOLT M4 X 12	2		
37	339285	WEIGHT HOLDER	1		
38	339000	BALANCE WEIGHT	1		
39	338993	GEAR	1		
40	338999	ORBITAL CAM	1		
41	957540	WASHER (A)	1		
42	339019	ORBITAL PIN	1		
43	305740	FELT	1		
44	338989	GEAR COVER	1		
45	332425	PLATE NUT	1		
46	339015	LEVER SPRING	1		
47	339014	LEVER BOLT	1		
48	339296	RETAINING RING D18	1		
49	339013	LEVER	1		
50	339002	PLUNGER (B)	1		
51	311814	O-RING (P-15)	1		
52	339001	SPRING	1		
53	339004	HOLDER PIN	1		
54	339005	HOLDER SPRING	1		
55	339282	HOLDER COVER	1		
56	339006	PLUNGER COVER	1		
57	339011	BASE	1		
58	949213	MACHINE SCREW M4 X 5 (10 PCS.)	1		
59	321576	RUBBER BUSHING	1		
60	339297	ROLLER HOLDER	1		
61	673489	RETAINING RING (E-TYPE) FOR D5 SHAFT	1		
62	338990	NEEDLE ROLLER	1		
63	321575	BASE LOCKER	1		
64	949658	HEX. SOCKET HD. BOLT M5 X 18 (10 PCS.)	1		
65	338992	CHANGE KNOB	1		
66	982454	SPRING (C)	1		
67	335297	STEEL BALL 5/32 (10 PCS.)	1		
68	339012	BASE PLATE	1		
69	321996	SPECIAL BOLT	4		

STANDARD ACCESSORIES

CJ 160V

ITEM NO.	CODE NO.	DESCRIPTION	NO. USED	REMARKS
* 501	339017	CASE	1	
502		JIG SAW BLADES NO.42	1	
503		JIG SAW BLADES NO.123X	1	
504	879357	JIG SAW BLADES NO.41 (5 PCS.)	1	
505	338996	CHIP COVER	1	
506	321591	DUST COLLECTOR	1	
507	944458	HEX. BAR WRENCH 4MM	1	
508	338997	SPLINTER GUARD	1	
509	339018	SUB BASE	1	
* 510	339281	CUSHION (C)	1	
* 511	402539	SYSTEM CASE 2	1	INCLUD.510,512-514
* 512	336472	LATCH	4	
* 513	336473	HANDLE	1	
* 514	336474	HINGE	2	
* 515	337740	INNER TRAY	1	

OPTIONAL ACCESSORIES

ITEM NO.	CODE NO.	DESCRIPTION	NO. USED	REMARKS
601	321593	GUIDE	1	
602	325149	GREASE (MOLUB-ALLOY NO.777-1) 75G	1	
603	309922	GREASE (ATTOLUB MS NO.2) 500G	1	
604	930035	GREASE (SEP-3A) (100G)	1	
605	879336	JIG SAW BLADES NO.11 (5 PCS.)	1	
606	879337	JIG SAW BLADES NO.12 (5 PCS.)	1	
607	879338	JIG SAW BLADES NO.15 (5 PCS.)	1	
608	879339	JIG SAW BLADES NO.16 (5 PCS.)	1	
609	879340	JIG SAW BLADES NO.21 (5 PCS.)	1	
610	879341	JIG SAW BLADES NO.22 (5 PCS.)	1	
611	963400	JIG SAW BLADES NO.97 FOR STAINLESS (5 PCS.)	1	
612	321878	JIG SAW BLADES (LONG) 185L (3 PCS.)	1	