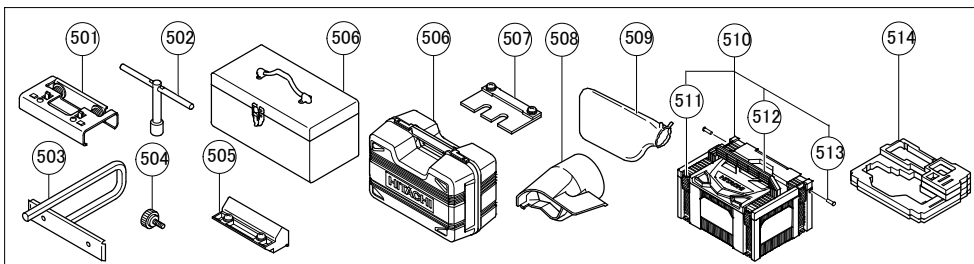
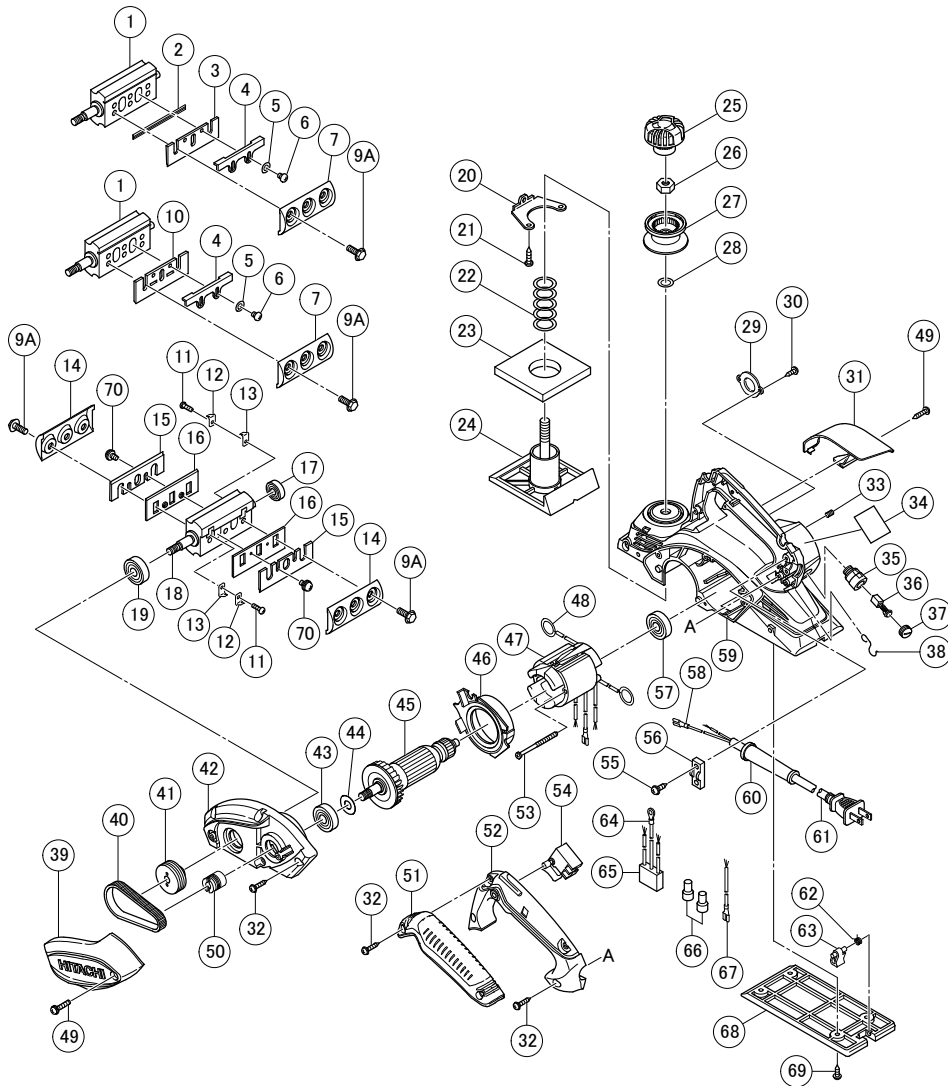


PLANER P 20SF

Page:1/1

Blokkolás...



Rev.4

形名
P20SF

PLANER P 20SF

Item No.	Code No.	Description	No. used	Remarks
1	334480	CUTTER BLOCK ASS'Y (W/B.B)	1	INCLUD.17,19 EXCEPT FOR IND
2	879418	PLANER BLADES (1 PAIR)	2	FOR DOUBLE EDGE BLADE TYPE
3	334478	SET PLATE (B) (1 PAIR)	2	FOR DOUBLE EDGE BLADE TYPE
4	314754	SET PLATE (A)	2	EXCEPT FOR IND
5	949423	WASHER M4 (10 PCS.)	4	EXCEPT FOR IND
6	949213	MACHINE SCREW M4X5 (10 PCS.)	4	EXCEPT FOR IND
7	316398	BLADE HOLDER (1 PAIR)	2	EXCEPT FOR IND
9A	336574	BOLT M6	6	
10	314746	PLANER BLADES 82MM (1 PAIR)	2	EXCEPT FOR DOUBLE EDGE BLADE TYPE
11	949216	MACHINE SCREW M4X10 (10 PCS.)	4	EXCEPT FOR DOUBLE EDGE BLADE TYPE
				FOR IND
*12	958731Z	HOLDER SPRING (B)	4	EXCEPT FOR DOUBLE EDGE BLADE TYPE
				FOR IND
*13	958732Z	GUARD PLATE (A)	4	EXCEPT FOR DOUBLE EDGE BLADE TYPE
				FOR IND
*14	958734Z	BLADE HOLDER (1 PAIR)	2	EXCEPT FOR DOUBLE EDGE BLADE TYPE
				FOR IND
*15	958728	PLANER BLADES 82MM (1 PAIR)	2	EXCEPT FOR DOUBLE EDGE BLADE TYPE
				FOR IND
*16	958733Z	BACK METAL	2	EXCEPT FOR DOUBLE EDGE BLADE TYPE
				FOR IND
17	608VVM	BALL BEARING 608VVC2FS2L	1	
*18	334481	CUTTER BLOCK ASS'Y (W/B.B)	1	INCLUD.11-13,17,19 EXCEPT FOR DOUBLE
				EDGE BLADE TYPE FOR IND
19	6200VV	BALL BEARING 6200VVCMP2L	1	
20	958945	SCREW PLATE	1	
21	954004	TAPPING SCREW D4X16	1	
22	958709	SPRING	1	
23	958708	RUBBER PACKING	1	
24	334739	FRONT BASE	1	
25	334494	KNOB (A)	1	
26	334497	LOCK NUT M10	1	
*27	334488	KNOB (B)	1	
*27	334489	KNOB (B)	1	FOR USA,CAN
28	301659	WASHER (B)	1	
29	334492	BEARING COVER	1	
30	309470	TAPPING SCREW (W/FLANGE) D4X12 (BLACK)	2	
31	334501	TIP COVER	1	
32	301653	TAPPING SCREW (W/FLANGE) D4X20 (BLACK)	8	
33	938477	HEX. SOCKET SET SCREW M5X8	2	
34		NAME PLATE	1	
35	957571	BRUSH HOLDER	2	
36	999021	CARBON BRUSH (1 PAIR)	2	
37	931266	BRUSH CAP	2	
*38	334736	CORD HOLDER	1	
*38	334498	CORD HOLDER	1	FOR TPE,UAE,USA,CAN,MEX,BRA,PAN (120V),
*38	334498			NOR,SWE,DEN,FIN
39	334487	BELT COVER	1	
40	958718	BELT	1	
41	334491	PULLEY (B)	1	
42	334486	END BRACKET	1	
43	6200VV	BALL BEARING 6200VVCMP2L	1	
44	334713	WASHER (A)	1	
*45	360936U	ARMATURE ASS'Y 110V-120V	1	INCLUD.43,57
*45	360936H	ARMATURE 110V	1	FOR GBR (110V),UAE,TPE
*45	360936D	ARMATURE 127V	1	
*45	360936E	ARMATURE 220V-230V	1	
*45	360936G	ARMATURE 220V	1	FOR BRA (220V),PAN (220V),INA,CHN,HKG,
				THA,KOR
*45	360936F	ARMATURE 240V	1	
46	334493	FAN GUIDE	1	
*47	340834C	STATOR ASS'Y 110V	1	INCLUD.48
*47	340835C	STATOR ASS'Y 110V-120V	1	INCLUD.48 FOR USA,CAN,PAN (120V)
*47	340835D	STATOR ASS'Y 127V	1	INCLUD.48
*47	340834E	STATOR ASS'Y 220V-230V	1	INCLUD.48
*47	340835E	STATOR ASS'Y 220V-230V	1	INCLUD.48 FOR BRA (220V),PAN (220V),IND,
				LIB,THA,INA,SIN,HKG
*47	340834F	STATOR ASS'Y 240V	1	INCLUD.48

Item No.	Code No.	Description	No. used	Remarks
*47	340835F	STATOR ASS'Y 240V	1	INCLUD.48 FOR MAL,UAE
48	931867	BRUSH TERMINAL	2	
49	333163	MACHINE SCREW (BLACK) M4X16	3	
50	334490	PULLEY (A)	1	
51	334485	GRIP COVER	1	
52	334484	HANDLE COVER	1	
53	960108	HEX. HD. TAPPING SCREW D4X60	2	
*54	334474	SWITCH	1	W/OFF LOCK TYPE
*54	322101	SWITCH	1	W/ON LOCK TYPE
55	984750	TAPPING SCREW (W/FLANGE) D4X16	2	
56	937631	CORD CLIP	1	
57	608VVM	BALL BEARING 608VVC2PS2L	1	
58	331707	FASTON	1	
*59	334482	HOUSING ASS'Y	1	INCLUD.20,21,33,35
*59	334483	HOUSING ASS'Y	1	INCLUD.20,21,33,35 FOR USA,CAN
60	953327	CORD ARMOR D8.8	1	
*61	500409Z	CORD	1	(CORD ARMOR D8.8)
*61	500247Z	CORD	1	(CORD ARMOR D8.8) FOR NOR,SWE,DEN,FIN
*61	500432Z	CORD	1	(CORD ARMOR D8.8) FOR USA,CAN,MEX, PAN (120V)
*61	500231Z	CORD	1	(CORD ARMOR D8.8) FOR SIN,MAL,UAE
*61	500455Z	CORD	1	(CORD ARMOR D8.8) FOR THA,CAN
*61	500435Z	CORD	1	(CORD ARMOR D8.8) FOR GBR (230V),HKG
*61	500461Z	CORD	1	(CORD ARMOR D8.8) FOR GBR (110V)
*61	500439Z	CORD	1	(CORD ARMOR D8.8) FOR AUS,NZL
*61	500447Z	CORD	1	(CORD ARMOR D8.8) FOR SUI
*61	500487Z	CORD	1	(CORD ARMOR D8.8) FOR BRA
*61	500234Z	CORD	1	(CORD ARMOR D8.8) FOR KOR
*61	500470Z	CORD	1	(CORD ARMOR D8.8) FOR TPE
62	334500	SPRING	1	
63	334499	STAND	1	
*64	961419Z	TERMINAL	1	FOR AUS,NZL,SAF,GBR,EUROPE,NOR,SWE,DEN, FIN,AUT,TUR,SUI,RUS,CHN,TPE,KOR
*65	994273	NOISE SUPPRESSOR	1	FOR AUS,NZL,SAF,GBR,EUROPE,NOR,SWE,DEN, FIN,AUT,TUR,SUI,RUS,CHN,TPE,KOR
*66	959140	CONNECTOR 50091 (10 PCS.)	1	
*66	959141	CONNECTOR 50092 (10 PCS.)	2	FOR AUS,NZL,SAF,GBR,EUROPE,NOR,SWE,DEN, FIN,AUT,TUR,SUI,RUS,CHN,TPE,KOR
*67	331269	INTERNAL WIRE	1	FOR AUS,NZL,SAF,GBR,EUROPE,NOR,SWE,DEN, FIN,AUT,TUR,SUI,RUS,CHN,TPE,KOR
68	334838	REAR BASE	1	
69	307811	TAPPING SCREW (W/FLANGE) D4X16 (BLACK)	4	
70	976815	MACHINE SCREW (W/WASHERS) M4X8	4	FOR IND
		STANDARD ACCESSORIES		
501	334693	SET GAUGE	1	FOR IND
502	940543	BOX WRENCH 10MM	1	
503	958842Z	GUIDE	1	
504	940650	STOPPER SCREW M5X14	1	
505	314767	BLADE SHARPENING ASS'Y	1	EXCEPT FOR DOUBLE EDGE BLADE TYPE
*506	334735	CASE	1	FOR USA,CAN
*506	334475	CASE	1	FOR GBR,FRA,UAE,AUS,NZL
507	316419	SET GAUGE	1	EXCEPT FOR IND
508	334502	DUST ADAPTER	1	FOR USA,CAN
509	322955	DUST BAG (BLACK)	1	
510	337108	CASE ASS'Y (STACKABLE)	1	INCLUD.511-513
511	336472	LATCH	4	
512	336473	HANDLE	1	
513	336474	HINGE	2	
514	337742	BOTTOM CASHION	1	
		OPTIONAL ACCESSORIES		
601	334503	ELBOW	1	
602	334502	DUST ADAPTER	1	EXCEPT FOR USA,CAN
603	322955	DUST BAG (BLACK)	1	EXCEPT FOR USA,CAN