



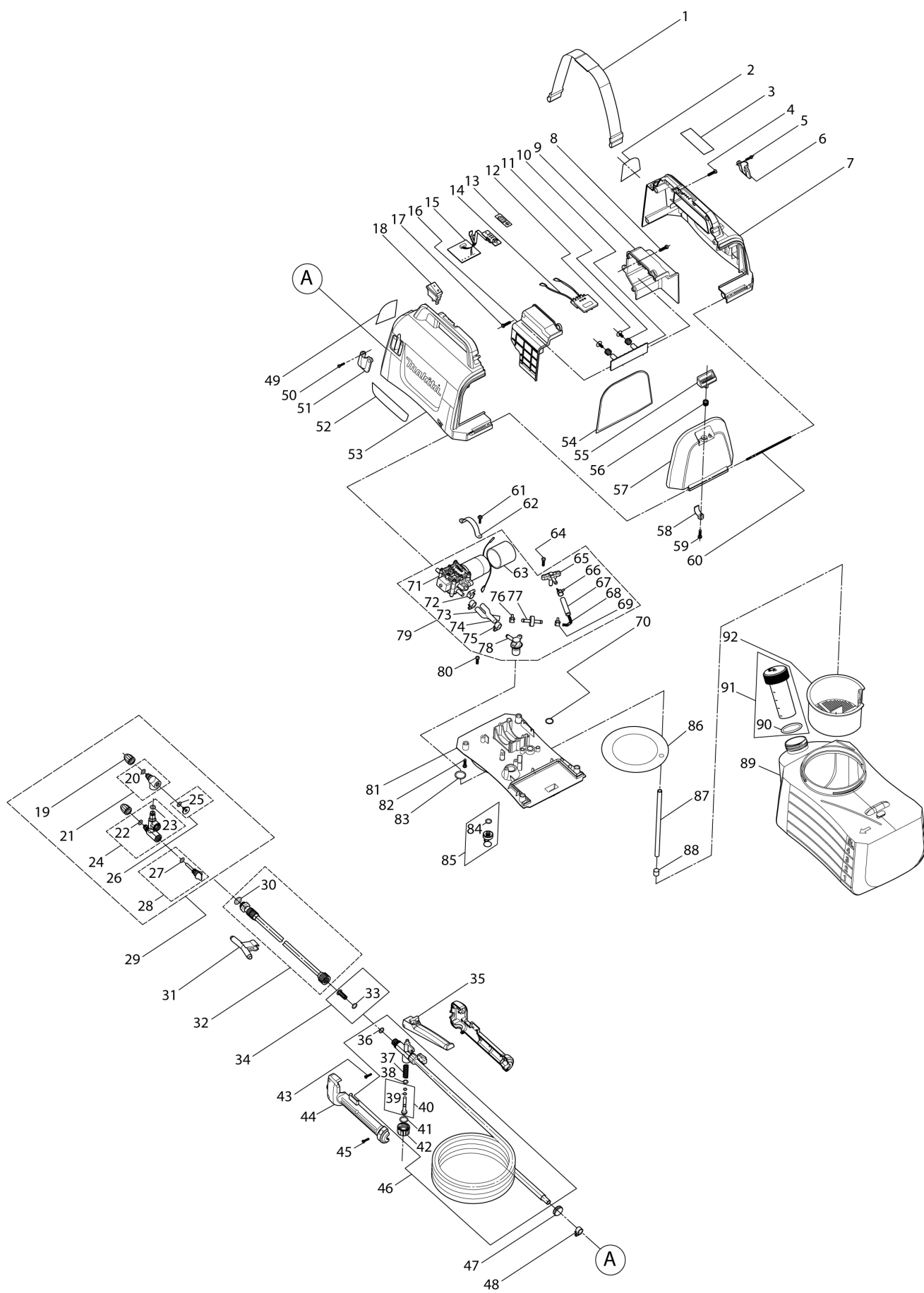
Robbantott ábra / Alkatrészlista

US053D

Akkumulátoros kerti permetező



US053D / Akkumulátoros kerti permező



US053D / Akkumulátoros kerti permező

Item	Sub	Parts No.	Parts Description	Qty	I/C	E/C No.	Close No.	Remark
001		PR00000128	SHOULDER STRAP	1				
002		PR00000206	WARNING TEXT LABEL-EN	1				
003		PR00000214	RATING LABEL-0002	1				
004		PR00000183	TAPPINNG SCREW ST4.0X16	6				
005		PR00000182	TAPPINNG SCREW ST2.9X12	2				
006		PR00000189	HOLDER	1				
007		PR00000129	HOUSING SET	1				
	D10		INC. 53					
008		PR00000183	TAPPINNG SCREW ST4.0X16	1				
009		PR00000185	BATTERY HOUSING	1				
	D10		INC. 16					
010		PR00000130	DAM-BOARD	1				
011		PR00000131	DAM-BOARD SPRING	2				
012		PR00000132	TAPPING SCREW ST4.0X12	2				
013		PR00000133	INDICATION LABEL	1				
014		PR00000134	TERMINAL	1				
015		PR00000135	PCB	1				
016		PR00000185	BATTERY HOUSING	1				
	D10		INC. 9					
017		PR00000183	TAPPINNG SCREW ST4.0X16	2				
018		PR00000136	SWITCH	1				
019		PR00000137	SPRAY HEAD	2				
020		PR00000186	O RING 6X2	1				
021		PR00000138	NOZZLE HOLDER	1				
	D10		INC. 20					
022		PR00000186	O RING 6X2	1				
023		PR00000186	O RING 6X2	1				
024		PR00000139	ROD JOINT	1				
	D10		INC. 22,23					
025		PR00000186	O RING 6X2	1				
026		PR00000140	END CAP	1				
	D10		INC. 25					
027		PR00000186	O RING 6X2	1				
028		PR00000141	ADJUSTING KNOB	1				
	D10		INC. 27					
029		PR00000142	TOW HEAD NOZZLE	1				
	D10		INC. 19,21,24,26,28					
030		PR00000143	SEAL PAD 9X17X2	1				
031		PR00000144	HOOK	1				
032		PR00000145	SPRAY WAND	1				
	D10		INC. 30					
033		PR00000146	O SEAL RING 4.5X1.5	1				
034		PR00000147	FILTER ASSEMBLY	1				
	D10		INC. 33					
035		PR00000148	HANDLE TRIGGER ASSEMBLY	1				
036		PR00000149	O RING 8X1.8	1				
037		PR00000150	SPRING	1				
038		PR00000204	O RING 6X2	1				
039		PR00000205	O RING 3X1	2				
040		PR00000151	VALVE ROD	1				
	D10		INC. 39					
041		PR00000190	O RING	1				
042		PR00000152	LOCK COVER	1				
043		PR00000182	TAPPINNG SCREW ST2.9X12	1				
044		PR00000153	HANDLE SET	1				
045		PR00000182	TAPPINNG SCREW ST2.9X12	5				
046		PR00000154	SPRAY HOSE ASSEMBLY	1				
	D10		INC. 36-38,40-42					
047		PR00000155	SPRAY HOSE SLEEV	1				
048		PR00000184	HOSE CLAMP	1				
049		PR00000211	WARNING LOGO LABEL	1				
050		PR00000182	TAPPINNG SCREW ST2.9X12	2				
051		PR00000189	HOLDER	1				
052		PR00000157	DECORATION LABEL 12V MAX	1				
053		PR00000129	HOUSING SET	1				

Interchange
O : Yes
X : No
< : the new part can be substituted for the current.
> : the current part can be substituted for the new.
S : Interchangeable as a set.

