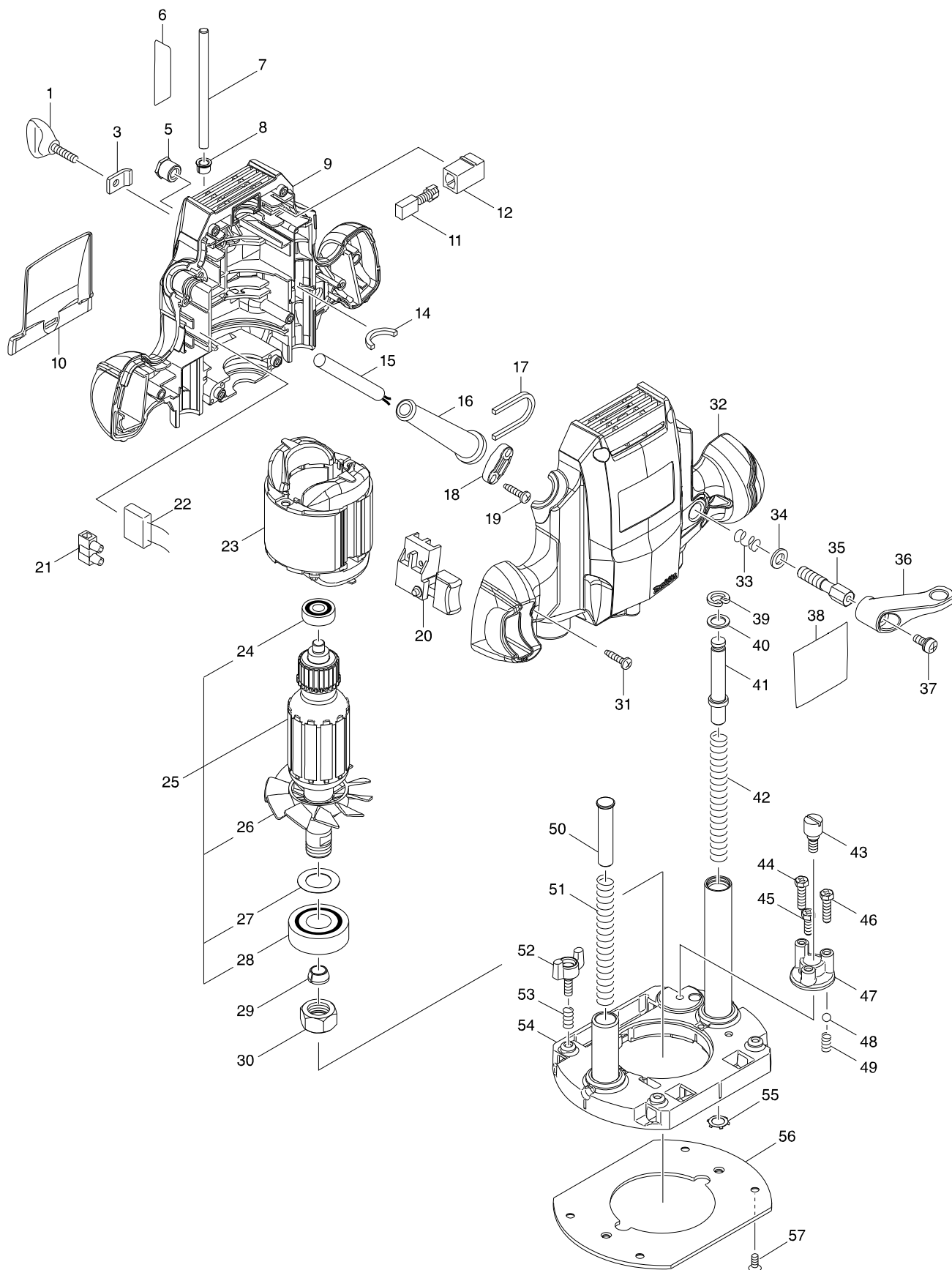


Modellszám M3601 ROUTER



Tétel	Cikkszám	Megnevezés	Átala	Menny.	N/O	Opc 1	Opc 2	Megjegyzés
001	251878-6	SCREW M5X20		1				
003	346007-5	PRESSURE PLATE		1				
005	252094-3	HEX. NUT M8		1				
006	893386-7	SCALE LABEL		1				
007	321948-6	STOPPER POLE		1				
008	451035-8	DEPTH POINTER		1				
009	183E23-4	HOUSING SET		1				
C10	263002-9	RUBBER PIN 4		3				
C20	263005-3	RUBBER PIN 6		1				
C30	931202-6	HEX. NUT M5		1				
D10		INC. 32						
010	450820-6	CHIP DEFLECTOR		1				
011	181410-1	CARBON BRUSH CB-106		1				
012	643601-7	BRUSH HOLDER 6-10		2				
014	443073-4	FELT		1				
015	665852-2	POWER SUPPLY CORD 1.0-2-2.0		1	*			
015-1	695454-0	POWER SUPPLY CORD 1.0-2-2.0	O	1				
016	682516-3	CORD GUARD 9.3-85		1				
017	443074-2	FELT		1				
018	687124-5	STRAIN RELIEF		1				
019	266326-2	TAPPING SCREW 4X18		2				
020	650218-9	SWITCH FA1-6/1W-1		1				
021	654532-5	TERMINAL BLOCK 1P		1				
022	645200-1	NOISE SUPPRESSOR		1				
023	594594-0	FIELD ASS'Y 240V		1	*			
C10	654037-5	INSULATED TERM. FT1.25-M3		2	*			
023-1	590054-0	FIELD ASS'Y 240V	O	1				
C10	654409-4	TERMINAL VR1.25-3.5LB	O	2				
024	210029-0	BALL BEARING 608ZZ		1				
025	510205-9	ARMATURE ASS'Y 240V		1				
D10		INC. 24,26-28						
026	240123-4	FAN 72		1				
027	267114-0	FLAT WASHER 17		1				
028	211285-5	BALL BEARING 6203DDW		1				
029	763636-3	COLLET CONE 6MM		1				
030	763615-1	COLLET NUT		1				
031	266326-2	TAPPING SCREW 4X18		7				
032	183E23-4	HOUSING SET		1				
C10	263002-9	RUBBER PIN 4		3				
C20	263005-3	RUBBER PIN 6		1				
C30	931202-6	HEX. NUT M5		1				
D10		INC. 9						
033	233110-0	COMPRESSION SPRING 8		1				
034	941202-8	FLAT WASHER 8		1				
035	266920-0	SET BOLT M8		1				
036	450821-4	LEVER 47		1				
037	911213-7	PAN HEAD SCREW M5X12		1				
038	852C08-6	M3601 NAME PLATE		1				

