



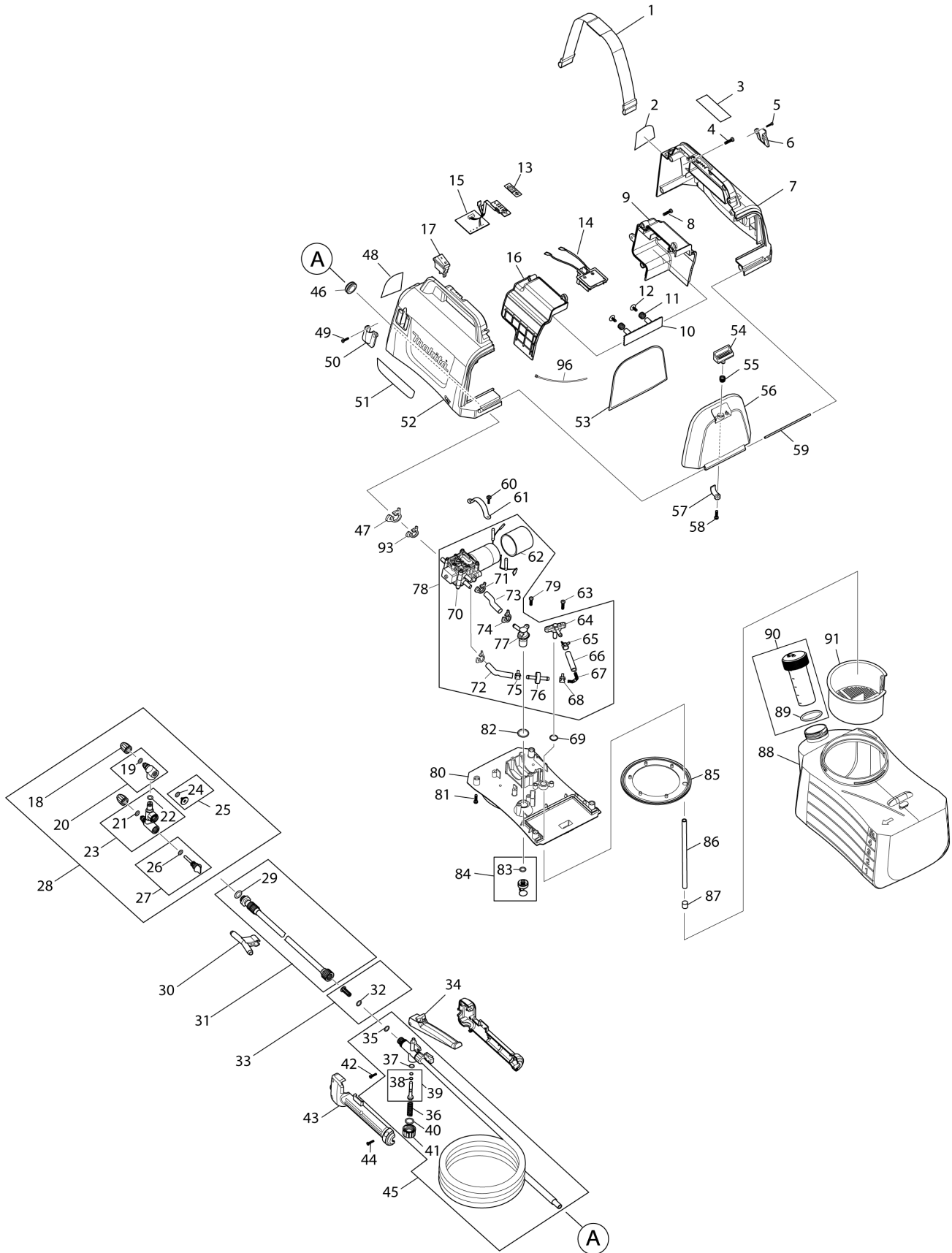
# Diagram / Parts List

**DUS054**

**CORDLESS GARDEN SPRAYER**



# DUS054 / CORDLESS GARDEN SPRAYER



## DUS054 / CORDLESS GARDEN SPRAYER

| Item  | Sub | Parts No.  | Parts Description       | Qty | I/C | E/C No. | Close No. | Remark |
|-------|-----|------------|-------------------------|-----|-----|---------|-----------|--------|
| 001   |     | PR00000128 | SHOULDER STRAP          | 1   |     |         |           |        |
| 002   |     | PR00000206 | WARNING TEXT LABEL-EN   | 1   |     |         |           |        |
| 003   |     | PR00000225 | RATING LABEL-0014       | 1   |     |         |           |        |
| 004   |     | PR00000183 | TAPPINNG SCREW ST4.0X16 | 6   |     |         |           |        |
| 005   |     | PR00000182 | TAPPINNG SCREW ST2.9X12 | 2   |     |         |           |        |
| 006   |     | PR00000191 | SPRAY WAND HOLDER       | 1   |     |         | Y08661    |        |
| 006-1 |     | PR00000191 | SPRAY WAND HOLDER       | 1   | O   | Y08661  |           |        |
| 007   |     | PR00000192 | HOUSING SET             | 1   |     |         |           |        |
|       | D10 |            | INC. 52                 |     |     |         |           |        |
| 008   |     | PR00000183 | TAPPINNG SCREW ST4.0X16 | 4   |     |         |           |        |
| 009   |     | PR00000193 | BATTERY HOUSING         | 1   |     |         |           |        |
|       | D10 |            | INC. 16                 |     |     |         |           |        |
| 010   |     | PR00000130 | DAM-BOARD               | 1   |     |         |           |        |
| 011   |     | PR00000194 | SPRING                  | 2   |     |         |           |        |
| 012   |     | PR00000132 | TAPPING SCREW ST4.0X12  | 2   |     |         |           |        |
| 013   |     | PR00000133 | INDICATION LABEL        | 1   |     |         |           |        |
| 014   |     | PR00000195 | BATTERY TERMINAL        | 1   |     |         | Y08661    |        |
| 014-1 |     | PR00000195 | BATTERY TERMINAL        | 1   | O   | Y08661  |           |        |
| 015   |     | PR00000196 | PCB                     | 1   |     |         |           |        |
| 016   |     | PR00000193 | BATTERY HOUSING         | 1   |     |         |           |        |
|       | D10 |            | INC. 9                  |     |     |         |           |        |
| 017   |     | PR00000136 | SWITCH                  | 1   |     |         |           |        |
| 018   |     | PR00000137 | SPRAY HEAD              | 2   |     |         |           |        |
| 019   |     | PR00000186 | O RING 6X2              | 1   |     |         |           |        |
| 020   |     | PR00000138 | NOZZLE HOLDER           | 1   |     |         |           |        |
|       | D10 |            | INC. 19                 |     |     |         |           |        |
| 021   |     | PR00000186 | O RING 6X2              | 1   |     |         |           |        |
| 022   |     | PR00000186 | O RING 6X2              | 1   |     |         |           |        |
| 023   |     | PR00000139 | ROD JOINT               | 1   |     |         |           |        |
|       | D10 |            | INC. 21,22              |     |     |         |           |        |
| 024   |     | PR00000186 | O RING 6X2              | 1   |     |         |           |        |
| 025   |     | PR00000140 | END CAP                 | 1   |     |         |           |        |
|       | D10 |            | INC. 24                 |     |     |         |           |        |
| 026   |     | PR00000186 | O RING 6X2              | 1   |     |         |           |        |
| 027   |     | PR00000141 | ADJUSTING KNOB          | 1   |     |         |           |        |
|       | D10 |            | INC. 26                 |     |     |         |           |        |
| 028   |     | PR00000142 | TOW HEAD NOZZLE         | 1   |     |         |           |        |
|       | D10 |            | INC. 18,20,23,25,27     |     |     |         |           |        |
| 029   |     | PR00000143 | SEAL PAD 9X17X2         | 1   |     |         |           |        |
| 030   |     | PR00000144 | HOOK                    | 1   |     |         |           |        |
| 031   |     | PR00000145 | SPRAY WAND              | 1   |     |         |           |        |
|       | D10 |            | INC. 29                 |     |     |         |           |        |
| 032   |     | PR00000146 | O SEAL RING 4.5X1.5     | 1   |     |         |           |        |
| 033   |     | PR00000147 | FILTER ASSEMBLY         | 1   |     |         |           |        |
|       | D10 |            | INC. 32                 |     |     |         |           |        |
| 034   |     | PR00000148 | HANDLE TRIGGER ASSEMBLY | 1   |     |         |           |        |
| 035   |     | PR00000149 | O RING 8X1.8            | 1   |     |         |           |        |
| 036   |     | PR00000150 | SPRING                  | 1   |     |         |           |        |
| 037   |     | PR00000204 | O RING 6X2              | 1   |     |         |           |        |
| 038   |     | PR00000205 | O RING 3X1              | 2   |     |         |           |        |
| 039   |     | PR00000151 | VALVE ROD               | 1   |     |         |           |        |
|       | D10 |            | INC. 38                 |     |     |         |           |        |
| 040   |     | PR00000190 | O RING 12X2             | 1   |     |         | Y08661    |        |
| 040-1 |     | PR00000190 | O RING 12X2             | 1   | O   | Y08661  |           |        |
| 041   |     | PR00000152 | LOCK COVER              | 1   |     |         |           |        |
| 042   |     | PR00000182 | TAPPINNG SCREW ST2.9X12 | 1   |     |         |           |        |
| 043   |     | PR00000153 | HANDLE SET              | 1   |     |         |           |        |
| 044   |     | PR00000182 | TAPPINNG SCREW ST2.9X12 | 5   |     |         |           |        |
| 045   |     | PR00000154 | SPRAY HOSE ASSEMBLY     | 1   |     |         |           |        |
|       | D10 |            | INC. 35,36,37,39,40,41  |     |     |         |           |        |
| 046   |     | PR00000155 | GROMMET                 | 1   |     |         | Y08661    |        |
| 046-1 |     | PR00000155 | GROMMET                 | 1   | O   | Y08661  |           |        |
| 047   |     | PR00000184 | SNAPPER HOSE CLAMP (L)  | 1   |     |         | Y08661    |        |
| 047-1 |     | PR00000184 | SNAPPER HOSE CLAMP (L)  | 1   | O   | Y08661  |           |        |
| 048   |     | PR00000211 | WARNING LOGO LABEL      | 1   |     |         |           |        |

Interchange  
O : Yes  
X : No  
< : the new part can be substituted for the current.  
> : the current part can be substituted for the new.  
S : Interchangeable as a set.

## DUS054 / CORDLESS GARDEN SPRAYER

| Item  | Sub | Parts No.  | Parts Description              | Qty | I/C | E/C No. | Close No. | Remark |
|-------|-----|------------|--------------------------------|-----|-----|---------|-----------|--------|
| 049   |     | PR00000182 | TAPPING SCREW ST2.9X12         | 2   |     |         |           |        |
| 050   |     | PR00000191 | SPRAY WAND HOLDER              | 1   |     |         | Y08661    |        |
| 050-1 |     | PR00000191 | SPRAY WAND HOLDER              | 1   | O   | Y08661  |           |        |
| 051   |     | PR00000197 | DECORATION LABEL               | 1   |     |         |           |        |
| 052   |     | PR00000192 | HOUSING SET                    | 1   |     |         |           |        |
|       | D10 |            | INC. 7                         |     |     |         |           |        |
| 053   |     | PR00000198 | BATTERY COVER SEAL PAD         | 1   |     |         |           |        |
| 054   |     | PR00000159 | BATTERY COVER BUTTON           | 1   |     |         |           |        |
| 055   |     | PR00000160 | SPRING                         | 1   |     |         |           |        |
| 056   |     | PR00000199 | BATTERY COVER                  | 1   |     |         |           |        |
| 057   |     | PR00000162 | PRESS-BUTTON                   | 1   |     |         |           |        |
| 058   |     | PR00000007 | TAPPING SCREW ST2.9X15         | 1   |     |         | Y08661    |        |
| 058-1 |     | PR00000007 | TAPPING SCREW ST2.9X15         | 1   | O   | Y08661  |           |        |
| 059   |     | PR00000163 | SHAFT                          | 1   |     |         |           |        |
| 060   |     | PR00000183 | TAPPING SCREW ST4.0X16         | 2   |     |         |           |        |
| 061   |     | PR00000164 | MOTOR FIXED BLOCK              | 1   |     |         |           |        |
| 062   |     | PR00000165 | SHOCK ABSORBER RING            | 1   |     |         |           |        |
| 063   |     | PR00000183 | TAPPING SCREW ST4.0X16         | 2   |     |         |           |        |
| 064   |     | PR00000166 | INLET CONNECTION               | 1   |     |         |           |        |
| 065   |     | PR00000188 | HOSE CLIP                      | 1   |     |         |           |        |
| 066   |     | PR00000187 | DELIVERY TUBE (55MM)           | 1   |     |         |           |        |
| 067   |     | PR00000167 | SPRING                         | 1   |     |         |           |        |
| 068   |     | PR00000188 | HOSE CLIP                      | 1   |     |         |           |        |
| 069   |     | PR00000190 | O RING 12X2                    | 1   |     |         | Y08661    |        |
| 069-1 |     | PR00000190 | O RING 12X2                    | 1   | O   | Y08661  |           |        |
| 070   |     | PR00000200 | PUMP UNIT WITH MOTOR           | 1   |     |         |           |        |
| 071   |     | PR00000184 | SNAPPER HOSE CLAMP (L)         | 2   |     |         | Y08661    |        |
| 071-1 |     | PR00000247 | SNAPPER HOSE CLAMP (S)         | 2   | X   | Y08661  |           |        |
| 072   |     | PR00000187 | DELIVERY TUBE (55MM)           | 1   |     |         | Y08661    |        |
| 072-1 |     | PR00000248 | DELIVERY TUBE (48MM)           | 1   | X   | Y08661  |           |        |
| 073   |     | PR00000187 | DELIVERY TUBE (55MM)           | 1   |     |         | Y08661    |        |
| 073-1 |     | PR00000249 | DELIVERY TUBE (40MM)           | 1   | X   | Y08661  |           |        |
| 074   |     | PR00000184 | SNAPPER HOSE CLAMP (L)         | 1   |     |         | Y08661    |        |
| 074-1 |     | PR00000247 | SNAPPER HOSE CLAMP (S)         | 1   | X   | Y08661  |           |        |
| 075   |     | PR00000188 | HOSE CLIP                      | 1   |     |         |           |        |
| 076   |     | PR00000169 | CHECK VALVE ASSEMBLY           | 1   |     |         |           |        |
| 077   |     | PR00000170 | WATER INLET                    | 1   |     |         | Y08661    |        |
| 077-1 |     | PR00000170 | WATER INLET                    | 1   | O   | Y08661  |           |        |
| 078   |     | PR00000201 | PUMP ASSY                      | 1   |     |         | Y08661    |        |
|       | D10 |            | INC. 62,64-68,70-77            |     |     |         | Y08661    |        |
| 078-1 |     | PR00000201 | PUMP ASSY                      | 1   | O   | Y08661  |           |        |
|       | D10 |            | INC. 62,64-68,70-77            |     |     |         | Y08661    |        |
| 079   |     | PR00000183 | TAPPING SCREW ST4.0X16         | 2   |     |         |           |        |
| 080   |     | PR00000172 | BASE BOARD                     | 1   |     |         |           |        |
| 081   |     | PR00000183 | TAPPING SCREW ST4.0X16         | 4   |     |         |           |        |
| 082   |     | PR00000173 | O RING 17X2                    | 1   |     |         |           |        |
| 083   |     | PR00000186 | O RING 6X2                     | 1   |     |         |           |        |
| 084   |     | PR00000174 | KNOB LOCK CAP ASSEMBLY         | 1   |     |         |           |        |
|       | D10 |            | INC. 83                        |     |     |         |           |        |
| 085   |     | PR00000175 | SEAL PAD FOR TANK              | 1   |     |         | Y08661    |        |
| 085-1 |     | PR00000175 | SEAL PAD FOR TANK              | 1   | X   | Y08661  |           |        |
| 086   |     | PR00000176 | SUCTION TUBE 190MM             | 1   |     |         | Y08661    |        |
| 086-1 |     | PR00000176 | SUCTION TUBE 190MM             | 1   | O   | Y08661  |           |        |
| 087   |     | PR00000177 | FILTER                         | 1   |     |         |           |        |
| 088   |     | PR00000178 | TANK (LITRE)                   | 1   |     |         | Y08661    |        |
| 088-1 |     | PR00000178 | TANK (LITRE)                   | 1   | X   | Y08661  |           |        |
| 089   |     | PR00000179 | O RING 34X3.5                  | 1   |     |         |           |        |
| 090   |     | PR00000180 | TANK CAP WITH MEASURING CUP (M | 1   |     |         | Y08661    |        |
|       | D10 |            | INC. 89                        |     |     |         | Y08661    |        |
| 090-1 |     | PR00000180 | TANK CAP WITH MEASURING CUP (M | 1   | X   | Y08661  |           |        |
|       | D10 |            | INC. 89                        |     |     |         | Y08661    |        |
| 091   |     | PR00000181 | FILTER CARTRIDGE               | 1   |     |         |           |        |
| 093   |     | PR00000247 | SNAPPER HOSE CLAMP (S)         | 1   |     | Y08661  |           |        |
| 096   |     | 687010-0   | BAND                           | 1   |     | Y08661  |           |        |

Interchange  
O : Yes  
X : No  
< : the new part can be substituted for the current.  
> : the current part can be substituted for the new.  
S : Interchangeable as a set.