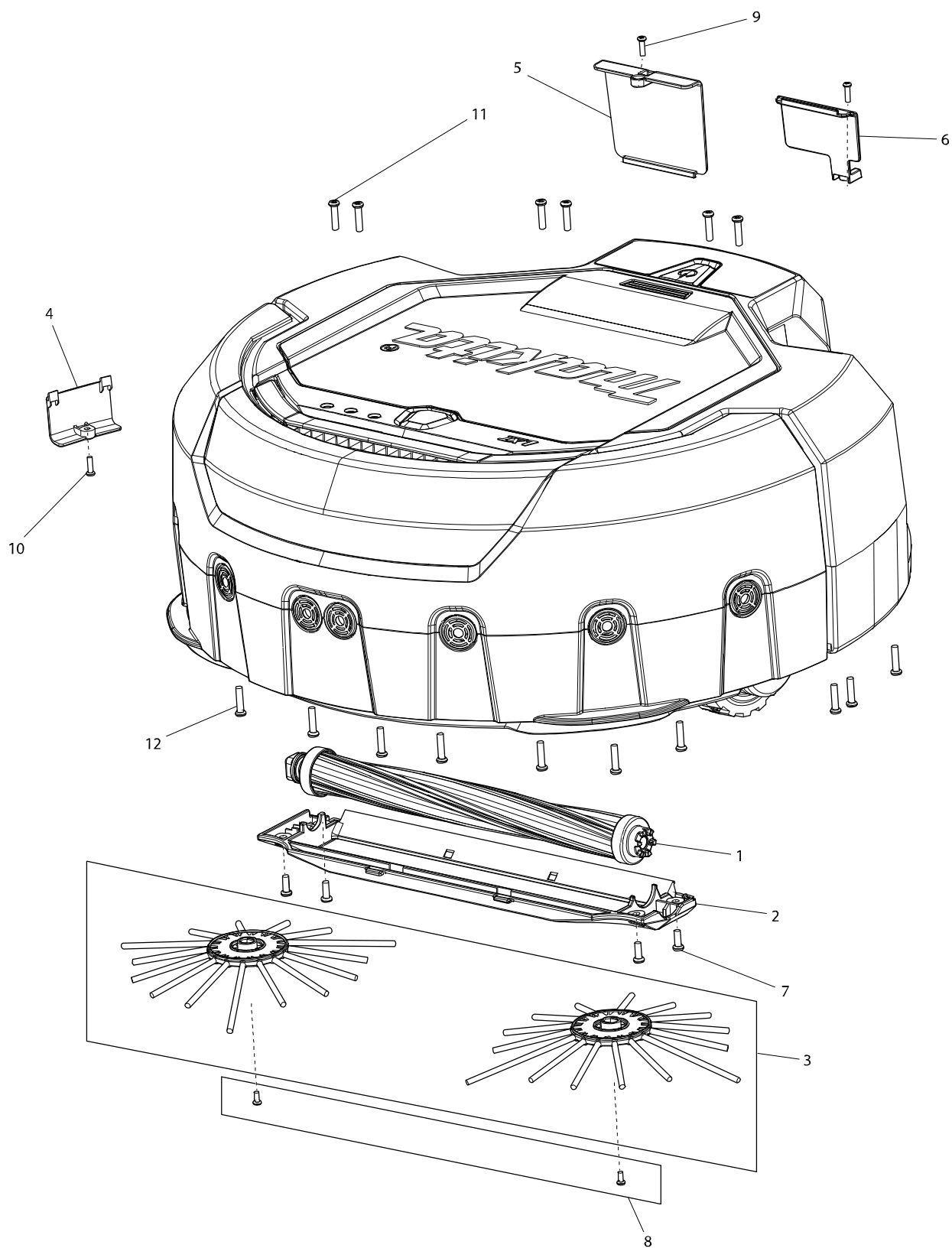
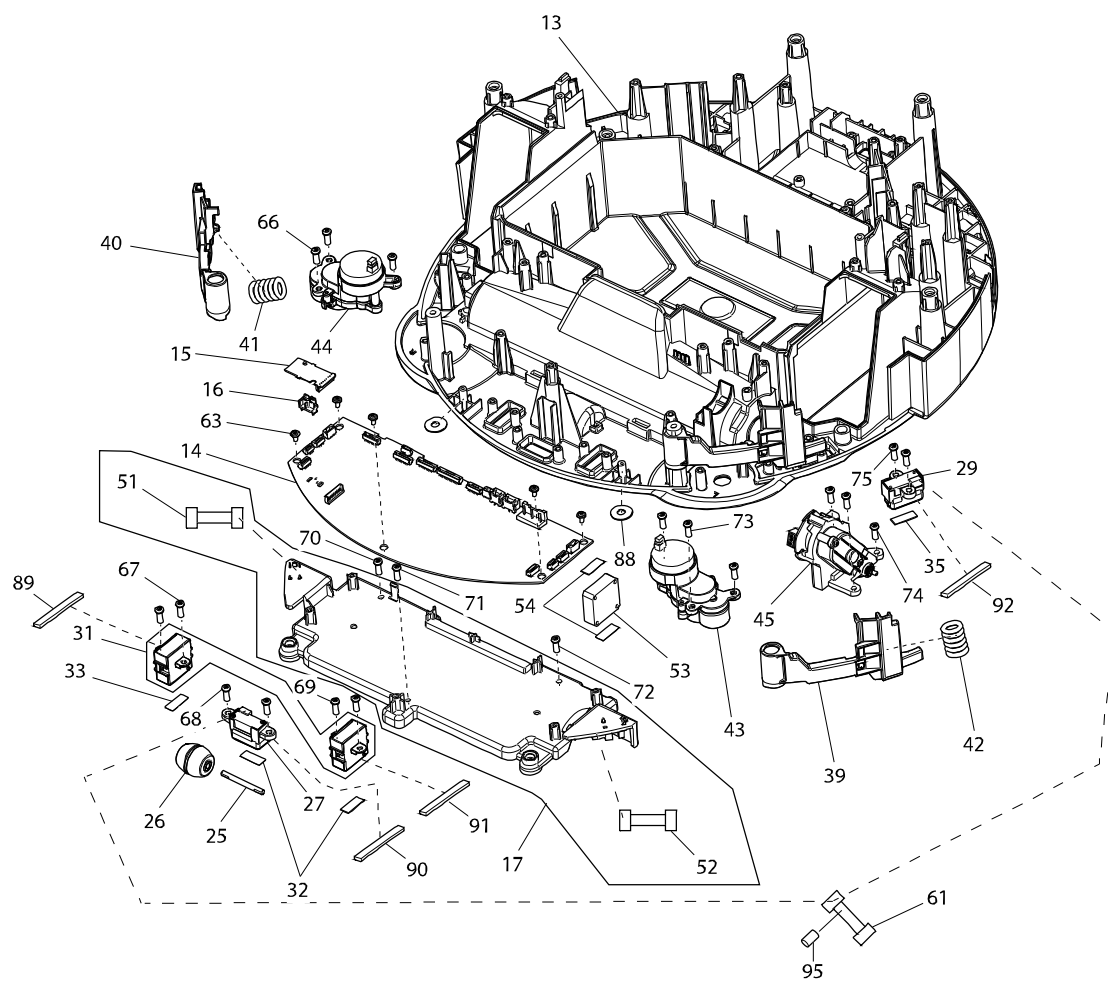


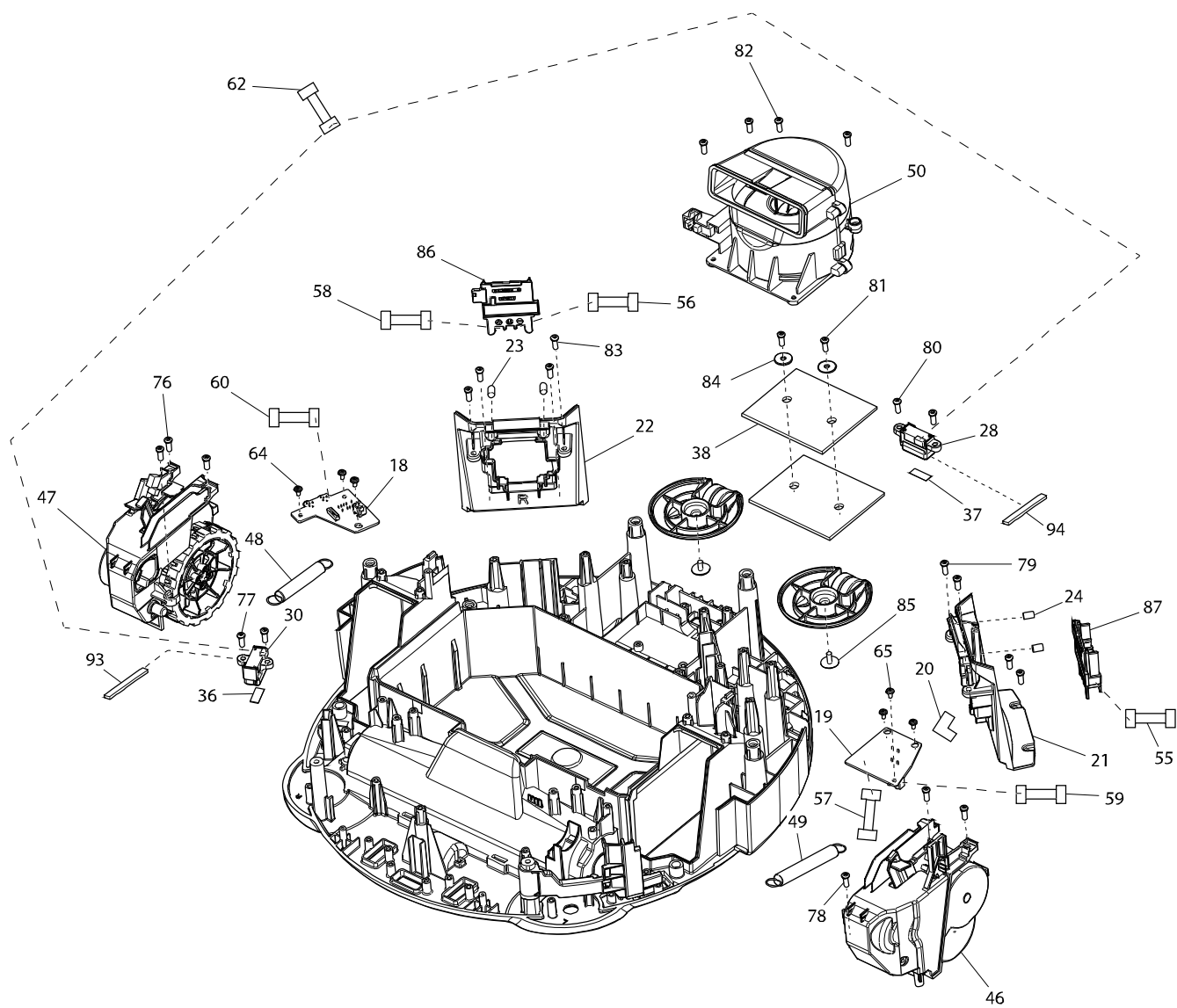
Modellszám DRC200 ROBOTIC CLEANER



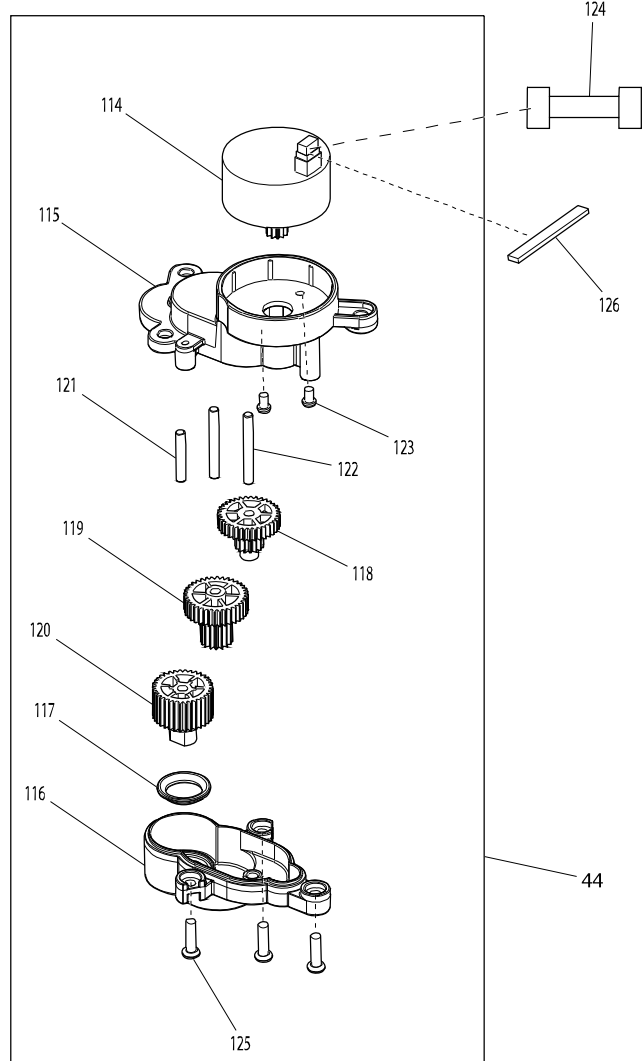
Modellszám DRC200 ROBOTIC CLEANER



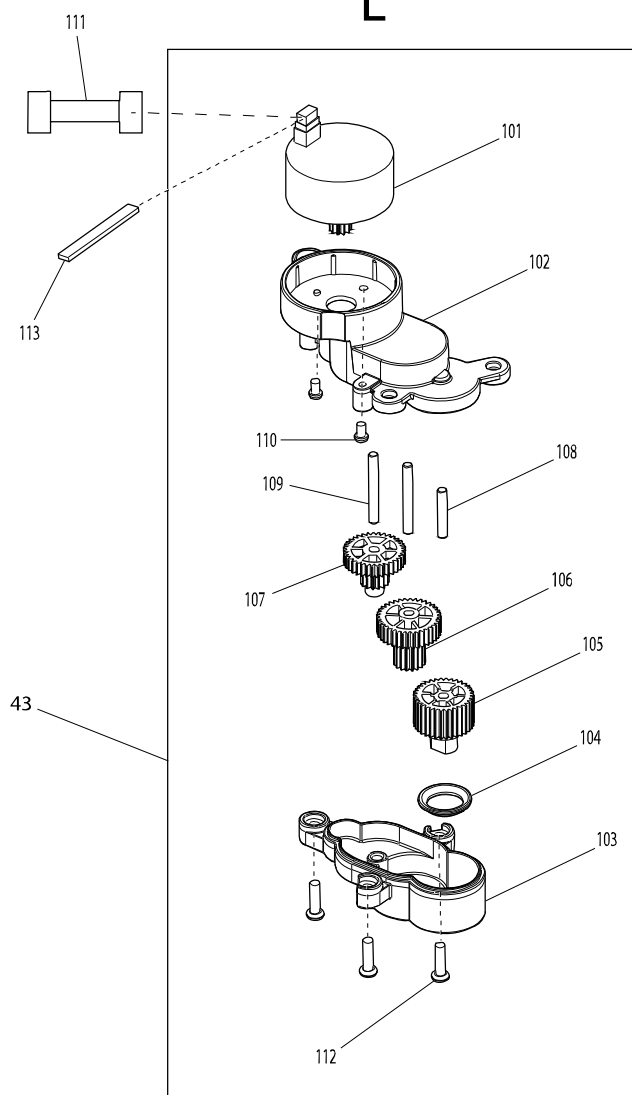
Modellszám DRC200 ROBOTIC CLEANER

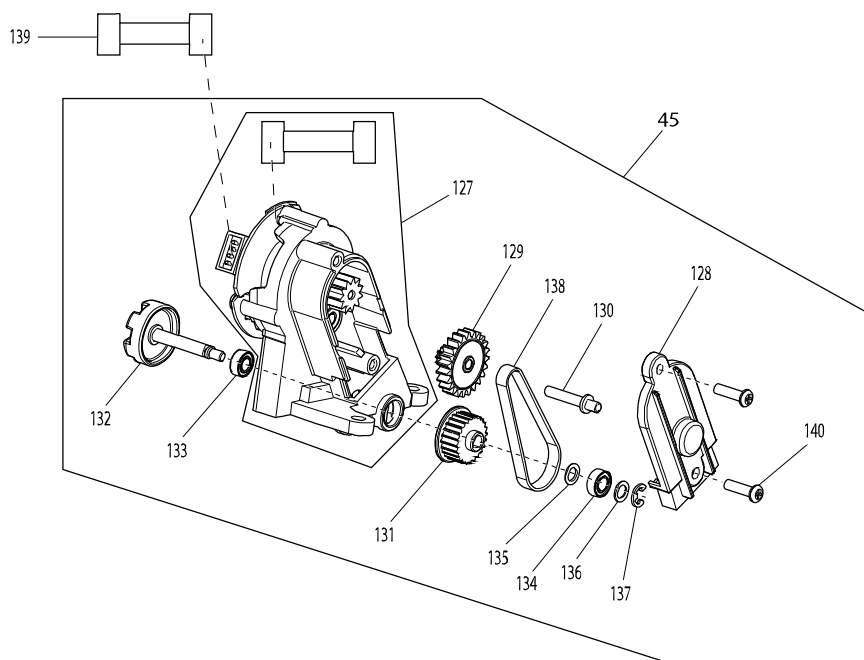


R



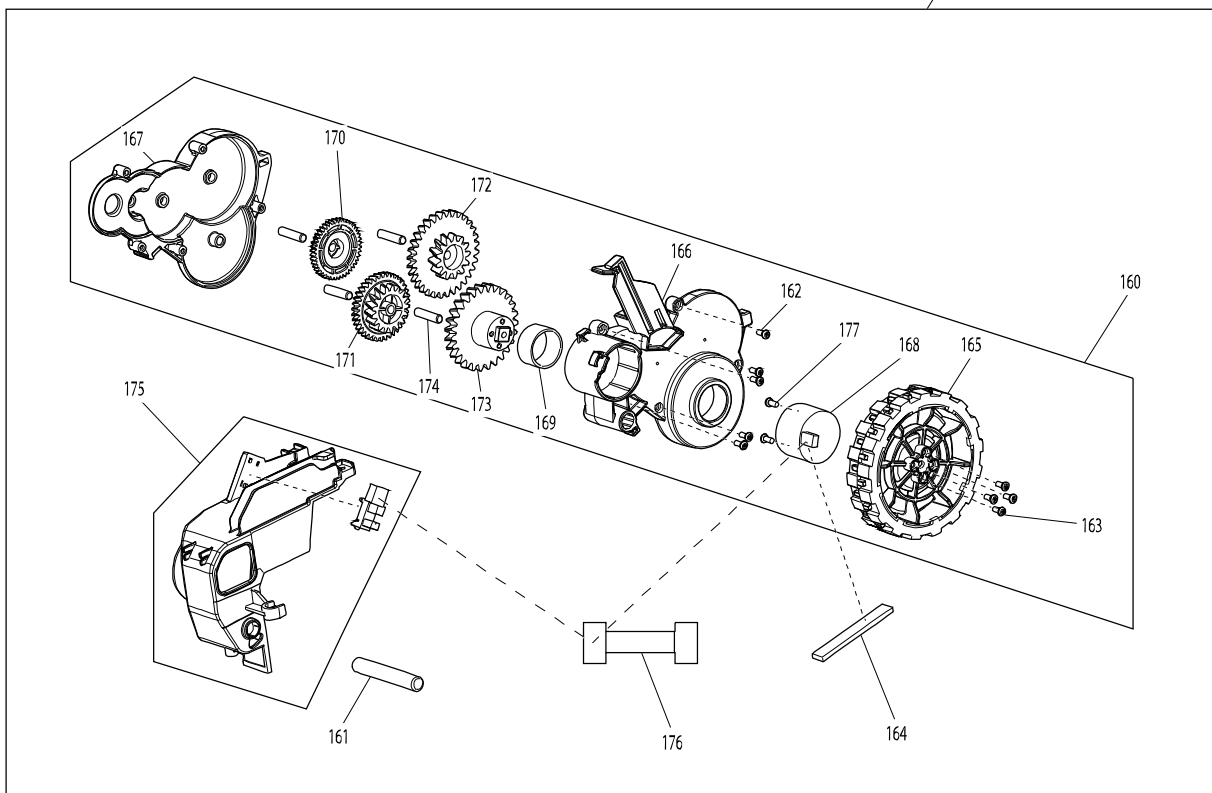
L





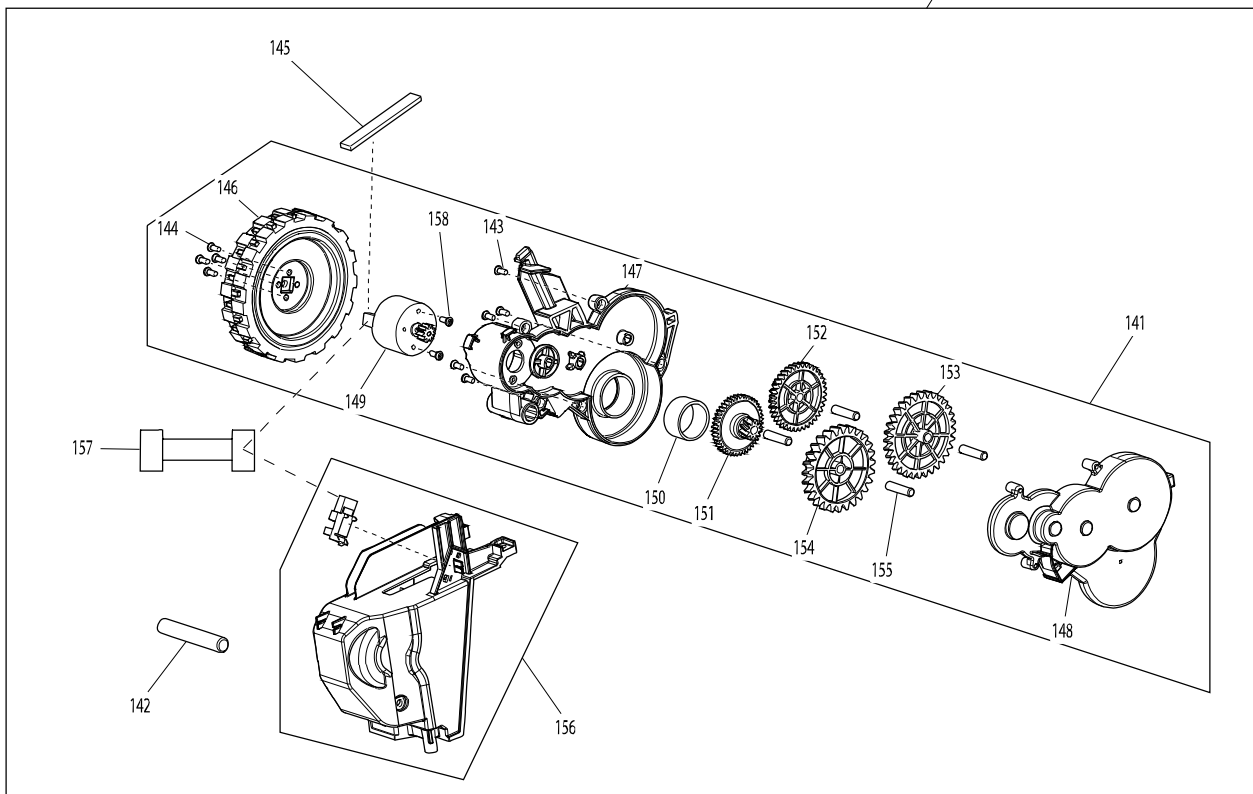
R

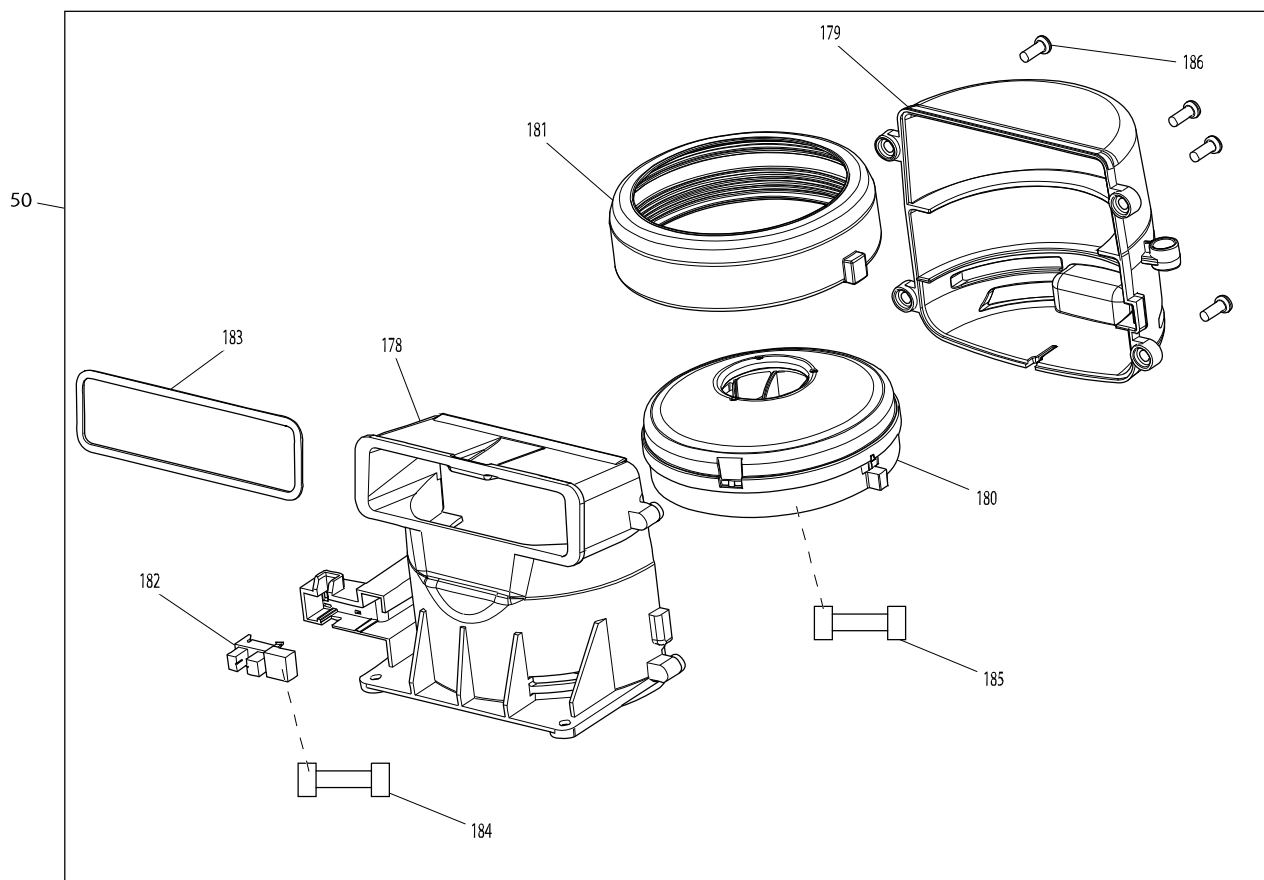
47

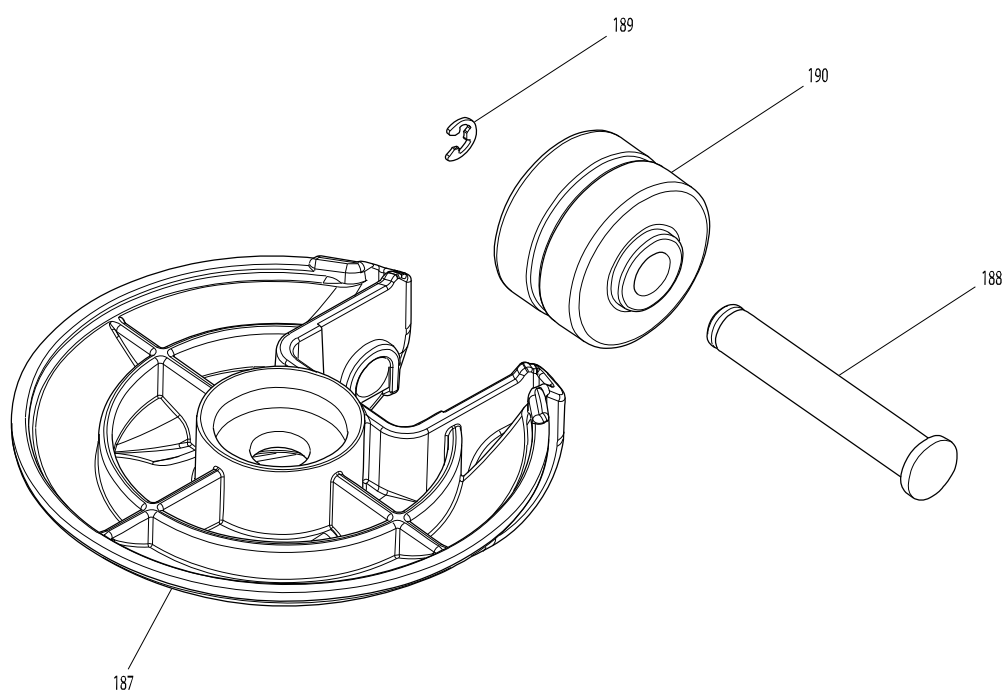


L

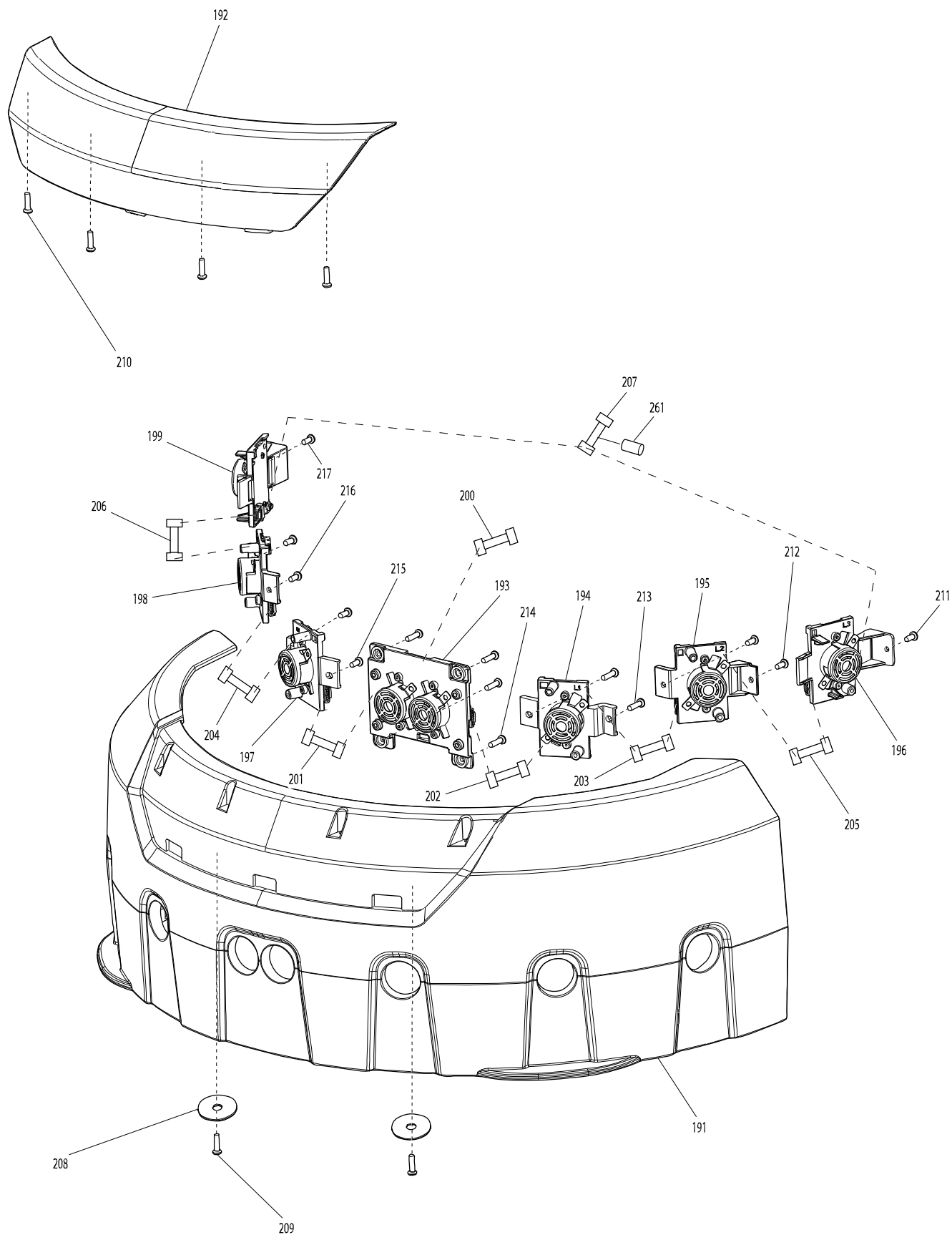
46



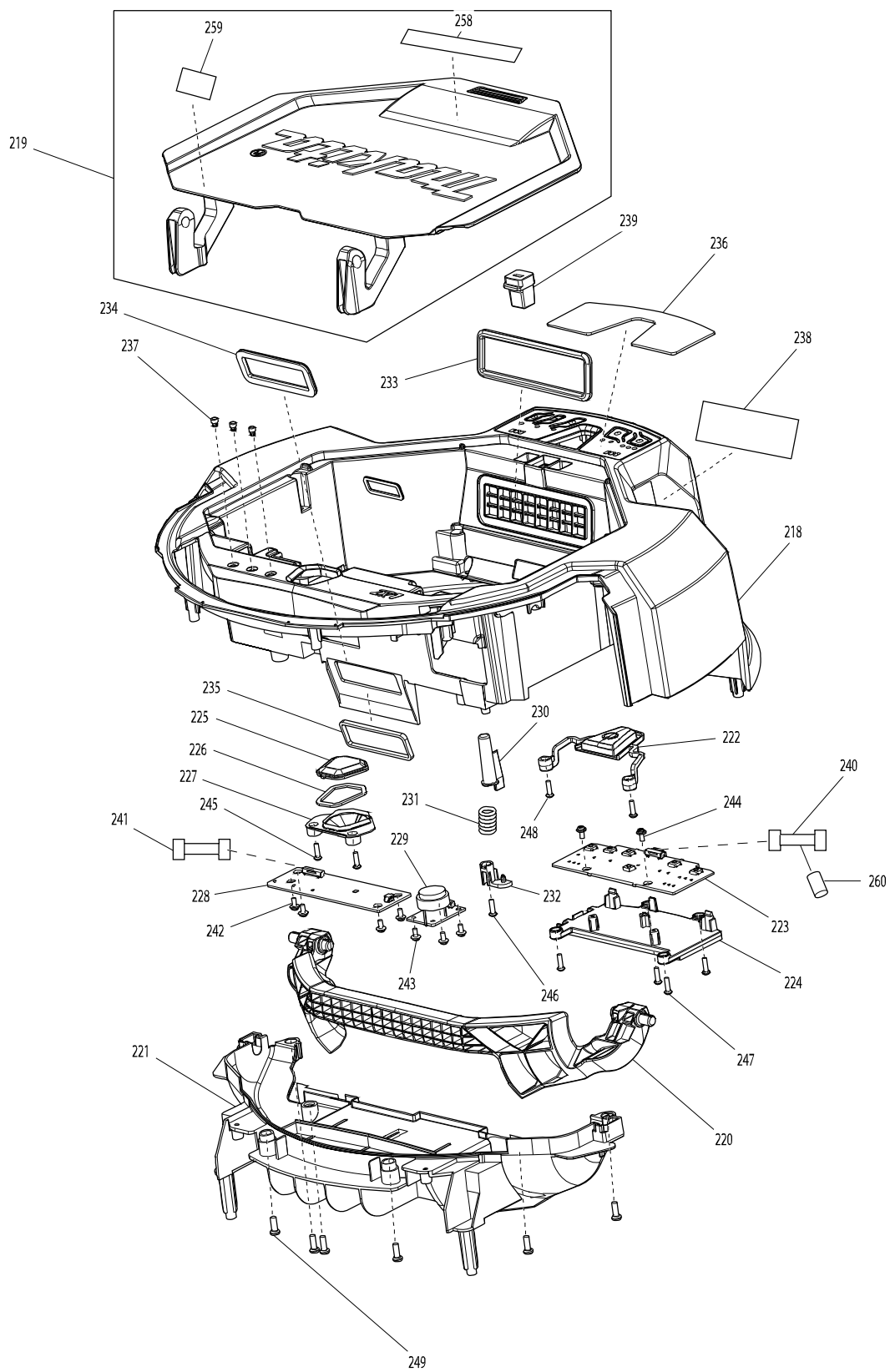


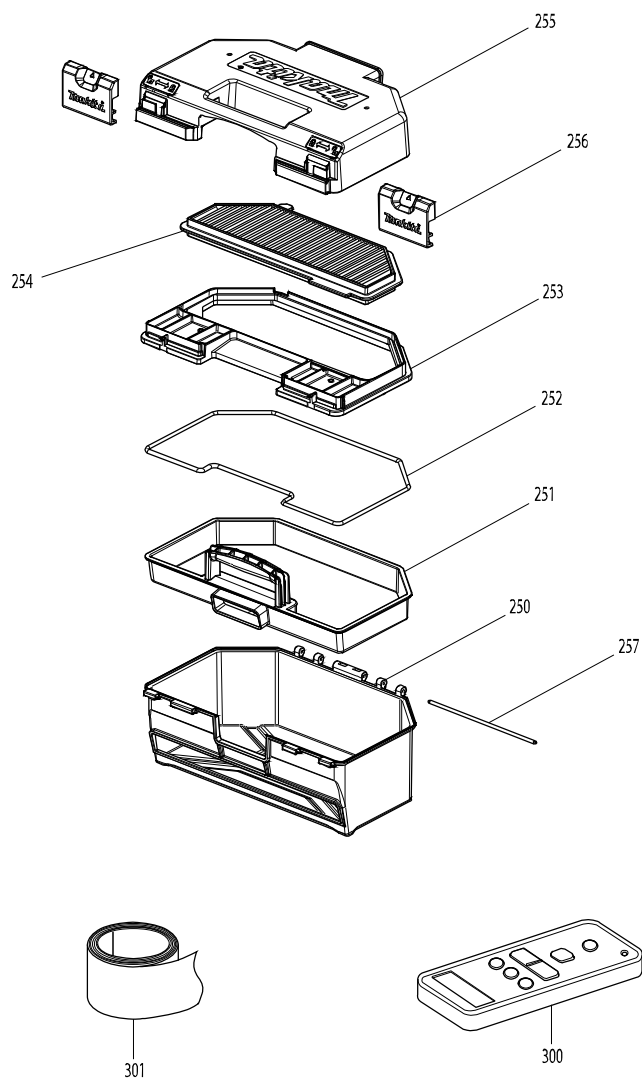


Modellszám DRC200 ROBOTIC CLEANER



Modellszám DRC200 ROBOTIC CLEANER





Tétel	Cikkszám	Megnevezés	Átala	Menny.	N/O	Opc 1	Opc 2	Megjegyzés
001	SH00000063	MAIN BRUSH ASSY		1				
002	SH00000064	BOTTOM PLATE ASSY		1				
003	SH00000065	SIDE BRUSH ASSY 2PCS		1				
004	SH00000066	FW COVER		1				
005	SH00000067	CABLE COVER R		1				
006	SH00000068	CABLE COVER L		1				
007	SH00000069	SCREW(M4X8 MACHIN)		4				
008	SH00000070	SB SCREW ASSY 2PCS		1				
009	SH00000071	SCREW(M3X10)		2				
010	SH00000071	SCREW(M3X10)		1				
011	SH00000221	SCREW(M4X16)		6				
012	SH00000221	SCREW(M4X16)		10				
013	SH00000072	LOWER BODY ASSY		1				
014	SH00000073	CONTROL PWB ASSY		1				
015	SH00000241	RF MODULE		1				
016	SH00000075	RF HOLDER		1				
017	SH00000076	CONTROL HOLDER ASSY		1				
D10		INC. 51,52						
018	SH00000078	AS PWB ASSY		1				
019	SH00000079	BATTERY PWB ASSY		1				
020	SH00000080	INSULATING SHEET		1				
021	SH00000081	TERMINAL HOLDER L		1				
022	SH00000082	TERMINAL HOLDER R		1				
023	SH00000083	RUBBER PIN		2				
024	SH00000083	RUBBER PIN		2				
025	SH00000084	FRONT ROLLER SHAFT		1				
026	SH00000085	FRONT ROLLER ASSY		1				
027	SH00000086	IR SENSOR C ASSY		1				
028	SH00000086	IR SENSOR C ASSY		1				
029	SH00000087	IR SENSOR S ASSY		1				
030	SH00000087	IR SENSOR S ASSY		1				
031	SH00000088	BL SENSOR ASSY		1				
032	SH00000222	SENSOR LENS SHEET		2				
033	SH00000222	SENSOR LENS SHEET		1				
035	SH00000222	SENSOR LENS SHEET		1				
036	SH00000222	SENSOR LENS SHEET		1				
037	SH00000222	SENSOR LENS SHEET		1				
038	SH00000089	WEIGHT PLATE		2				
039	SH00000090	BUMPER ANGLE L		1				
040	SH00000091	BUMPER ANGLE R		1				
041	SH00000092	BUMPER SPRING		1				
042	SH00000092	BUMPER SPRING		1				
043	SH00000093	SB UNIT L ASSY		1				
D10		INC. 101-110,112						
044	SH00000094	SB UNIT R ASSY		1				
D10		INC. 114-123,125						
045	SH00000095	PB SUPPORT S ASSY		1				
D10		INC. 127-138,140						

Tétel	Cikkszám	Megnevezés	Átala	Menny.	N/O	Opc 1	Opc 2	Megjegyzés
046	SH00000096	MAIN WHEEL L ASSY		1				
D10		INC. 141,142,145,156,157						
047	SH00000097	MAIN WHEEL R ASSY		1				
D10		INC. 160,161,164,175,176						
048	SH00000098	WHEEL SPRING		1				
049	SH00000098	WHEEL SPRING		1				
050	SH00000099	AIR DUCT UNIT ASSY		1				
D10		INC. 178-186						
051	SH00000101	BUMPER SW CABLE		1				
052	SH00000101	BUMPER SW CABLE		1				
053	SH00000223	COOLING FAN S ASSY		1				
054	SH00000224	COOLING FAN SEAL		2				
055	SH00000104	BATTERY CABLE L		1				
056	SH00000105	BATTERY CABLE R		1				
057	SH00000106	BATTERY PS CABLE		1				
058	SH00000107	BATTERY SIGNAL CABLE		1				
059	SH00000108	BATTERY EARTH CABLE		1				
060	SH00000109	AS CABLE		1				
061	SH00000242	CLIFF SENSOR CABLE L		1				
062	SH00000243	CLIFF SENSOR CABLE R		1				
063	SH00000110	SCREW(M3X8XWASHER8)		5				
064	SH00000110	SCREW(M3X8XWASHER8)		3				
065	SH00000110	SCREW(M3X8XWASHER8)		3				
066	SH00000111	SCREW(M4X10)		3				
067	SH00000111	SCREW(M4X10)		2				
068	SH00000111	SCREW(M4X10)		2				
069	SH00000111	SCREW(M4X10)		2				
070	SH00000111	SCREW(M4X10)		1				
071	SH00000111	SCREW(M4X10)		1				
072	SH00000111	SCREW(M4X10)		1				
073	SH00000111	SCREW(M4X10)		3				
074	SH00000111	SCREW(M4X10)		3				
075	SH00000111	SCREW(M4X10)		2				
076	SH00000111	SCREW(M4X10)		3				
077	SH00000111	SCREW(M4X10)		2				
078	SH00000111	SCREW(M4X10)		3				
079	SH00000111	SCREW(M4X10)		4				
080	SH00000111	SCREW(M4X10)		2				
081	SH00000111	SCREW(M4X10)		2				
082	SH00000111	SCREW(M4X10)		4				
083	SH00000111	SCREW(M4X10)		4				
084	SH00000112	WASHER(4,5X13XT1)		2				
085	SH00000113	SCREW(M5X10XWASHER16)		2				
086	643899-6	TERMINAL		1				
087	643899-6	TERMINAL		1				
088	SH00000226	PC WASHER		2				
089	SH00000236	SENSOR LENZ SEAL		1				
090	SH00000236	SENSOR LENZ SEAL		1				

Tétel	Cikkszám	Megnevezés	Átala	Menny.	N/O	Opc 1	Opc 2	Megjegyzés
091	SH00000236	SENSOR LENZ SEAL		1				
092	SH00000236	SENSOR LENZ SEAL		1				
093	SH00000236	SENSOR LENZ SEAL		1				
094	SH00000236	SENSOR LENZ SEAL		1				
095	SH00000244	FERRITE CORE		4				
101	SH00000114	MOTOR S ASSY		1				
102	SH00000115	SB MOTOR HOLDER L		1				
103	SH00000116	SB MOTOR COVER		1				
104	SH00000117	SB METAL		1				
105	SH00000118	SB GEAR 4 ASSY		1				
106	SH00000119	SB GEAR 3		1				
107	SH00000120	SB GEAR 2		1				
108	SH00000121	COMMON SHAFT 1		1				
109	SH00000122	SB GEAR SHAFT 1		2				
110	SH00000123	SCREW(M2.6X4 MACHINE)		2				
111	SH00000124	SIDE BRUSH CABLE		1				
112	SH00000071	SCREW(M3X10)		3				
113	SH00000227	MOTOR SEAL		1				
114	SH00000114	MOTOR S ASSY		1				
115	SH00000125	SB MOTOR HOLDER R		1				
116	SH00000116	SB MOTOR COVER		1				
117	SH00000117	SB METAL		1				
118	SH00000120	SB GEAR 2		1				
119	SH00000119	SB GEAR 3		1				
120	SH00000118	SB GEAR 4 ASSY		1				
121	SH00000121	COMMON SHAFT 1		1				
122	SH00000122	SB GEAR SHAFT 1		2				
123	SH00000123	SCREW(M2.6X4 MACHINE)		2				
124	SH00000124	SIDE BRUSH CABLE		1				
125	SH00000071	SCREW(M3X10)		3				
126	SH00000227	MOTOR SEAL		1				
127	SH00000126	PB MOTOR D ASSY		1				
128	SH00000127	PB SUPPORT COVER K		1				
129	SH00000129	PB BELT GEAR 2		1				
130	SH00000130	BELT GEAR SHAFT		1				
131	SH00000131	PB BELT GEAR 3		1				
132	SH00000132	PB HOLDER ASSY		1				
133	SH00000133	BEARING		1				
134	SH00000133	BEARING		1				
135	SH00000134	P WASHER 050		1				
136	SH00000134	P WASHER 050		1				
137	SH00000135	U RING		1				
138	SH00000136	TIMING BELT		1				
139	SH00000137	PB MOTOR CABLE		1				
140	SH00000071	SCREW(M3X10)		2				
141	SH00000139	MAIN WHEEL L UNIT		1				
D10		INC. 143,144,146-155,158						
142	SH00000152	MAIN WHEEL SHAFT		1				

Tétel	Cikkszám	Megnevezés	Átala	Menny.	N/O	Opc 1	Opc 2	Megjegyzés
143	SH00000071	SCREW(M3X10)		5				
144	SH00000229	SCREW(M3X10)		4				
145	SH00000227	MOTOR SEAL		1				
146	SH00000150	WHEEL L ASSY		1				
147	SH00000140	WHEEL GEAR BOX L		1				
148	SH00000141	WHEEL GEAR COVER L		1				
149	SH00000142	MW MOTOR S ASSY		1				
150	SH00000143	WHEEL METAL RING		1				
151	SH00000144	WHEEL GEAR 2		1				
152	SH00000145	WHEEL GEAR 3		1				
153	SH00000146	WHEEL GEAR 4		1				
154	SH00000147	WHEEL GEAR 5		1				
155	SH00000148	WHEEL GEAR SHAFT 1		4				
156	SH00000151	WHEEL L UNIT COVER		1				
157	SH00000153	WHEEL CABLE		1				
158	SH00000123	SCREW(M2.6X4 MACHINE)		2				
160	SH00000154	MAIN WHEEL R UNIT		1				
D10		INC. 162,163,165-174,177						
161	SH00000152	MAIN WHEEL SHAFT		1				
162	SH00000071	SCREW(M3X10)		5				
163	SH00000229	SCREW(M3X10)		4				
164	SH00000227	MOTOR SEAL		1				
165	SH00000157	WHEEL R ASSY		1				
166	SH00000155	WHEEL GEAR BOX R		1				
167	SH00000156	WHEEL GEAR COVER R		1				
168	SH00000142	MW MOTOR S ASSY		1				
169	SH00000143	WHEEL METAL RING		1				
170	SH00000144	WHEEL GEAR 2		1				
171	SH00000145	WHEEL GEAR 3		1				
172	SH00000146	WHEEL GEAR 4		1				
173	SH00000147	WHEEL GEAR 5		1				
174	SH00000148	WHEEL GEAR SHAFT 1		4				
175	SH00000158	WHEEL R UNIT COVER		1				
176	SH00000153	WHEEL CABLE		1				
177	SH00000123	SCREW(M2.6X4 MACHINE)		2				
178	SH00000159	AIR DUCT FRONT		1				
179	SH00000160	AIR DUCT REAR		1				
180	SH00000161	FAN MOTOR UNIT ASSY		1				
181	SH00000162	FAN CUSHION		1				
182	SH00000077	PHOTO SENSOR		1				
183	SH00000163	INTAKE SEAL		1				
184	SH00000164	CUP SENSOR CABLE		1				
185	SH00000165	FAN MOTOR CABLE		1				
186	SH00000111	SCREW(M4X10)		4				
187	SH00000166	REAR CASTER FRAME		2				
188	SH00000167	REAR CASTER SHAFT		2				
189	SH00000135	U RING		2				
190	SH00000168	CASTER ASSY		2				

Tétel	Cikkszám	Megnevezés	Átala	Menny.	N/O	Opc 1	Opc 2	Megjegyzés
191	SH00000169	BUMPER		1				
192	SH00000170	BUMPER DECO		1				
193	SH00000171	US HOLDER C ASSY		1				
194	SH00000172	US HOLDER L1 ASSY		1				
195	SH00000173	US HOLDER L2 ASSY		1				
196	SH00000174	US HOLDER L3 ASSY		1				
197	SH00000175	US HOLDER R1 ASSY		1				
198	SH00000176	US HOLDER R2 ASSY		1				
199	SH00000177	US HOLDER R3 ASSY		1				
200	SH00000245	US CABLE C		1				
201	SH00000179	US CABLE 1		1				
202	SH00000179	US CABLE 1		1				
203	SH00000180	US CABLE 2		1				
204	SH00000180	US CABLE 2		1				
205	SH00000181	US CABLE 3		1				
206	SH00000181	US CABLE 3		1				
207	SH00000182	US EARTH CABLE		1				
208	SH00000183	WASHER(4,5/25/T1)		2				
209	SH00000111	SCREW(M4X10)		2				
210	SH00000184	SCREW(M3X6)		18				
218	SH00000185	UPPER BODY		1				
219	SH00000247	CASE COVER K		1				
220	SH00000187	HANDLE		1				
221	SH00000188	HANDLE COVER		1				
222	SH00000189	UI BUTTON		1				
223	SH00000190	UI PWB ASSY		1				
224	SH00000191	UI PWB HOLDER		1				
225	SH00000192	LED LENS L		1				
226	SH00000193	LED LENS SEAL		1				
227	SH00000194	LED REFLECTOR		1				
228	SH00000195	LED PWB ASSY		1				
229	SH00000196	BUZZER PWB ASSY		1				
230	SH00000197	FILTER BUTTON		1				
231	SH00000198	FILTER BUTTON SP		1				
232	SH00000199	FILTER BUTTON HOLDER		1				
233	SH00000200	INTAKE PACKING		1				
234	SH00000201	NOZZLE PACKING		1				
235	SH00000202	NOZZLE SEAL		1				
236	SH00000248	UI KEY SHEET		1				
237	SH00000204	LED LENS S		3				
238	SH00000205	EXHAUST FILTER ASSY		1				
239	SH00000206	CATCH LATCH		1				
240	SH00000249	UI CABLE		1				
241	SH00000208	LED CABLE		1				
242	SH00000110	SCREW(M3X8XWASHER8)		4				
243	SH00000110	SCREW(M3X8XWASHER8)		3				
244	SH00000110	SCREW(M3X8XWASHER8)		2				
245	SH00000184	SCREW(M3X6)		2				

Tétel	Cikkszám	Megnevezés	Átala	Menny.	N/O	Opc 1	Opc 2	Megjegyzés
246	SH00000071	SCREW(M3X10)		1				
247	SH00000071	SCREW(M3X10)		4				
248	SH00000071	SCREW(M3X10)		2				
249	SH00000111	SCREW(M4X10)		6				
250	SH00000209	DUST BOX LOWER		1				
251	SH00000210	DUST CASE		1				
252	SH00000211	DUST SEAL RING		1				
253	SH00000212	DUST BOX UPPER		1				
254	SH00000213	FILTER UNIT'S ASSY		1				
255	SH00000214	DUST BOX COVER		1				
256	SH00000215	DUST SLIDE LEVER		2				
257	SH00000216	DUST BOX PIN		1				
258	SH00000252	CAUTION LABEL		1				
259	SH00000253	ROBOPRO LABEL		1				
260	SH00000244	FERRITE CORE		1				
261	SH00000244	FERRITE CORE		1				
300	SH00000219	RF CONTROLLER ASSY		1				
301	SH00000231	SENSOR WALL TAPE EUrope		1				