

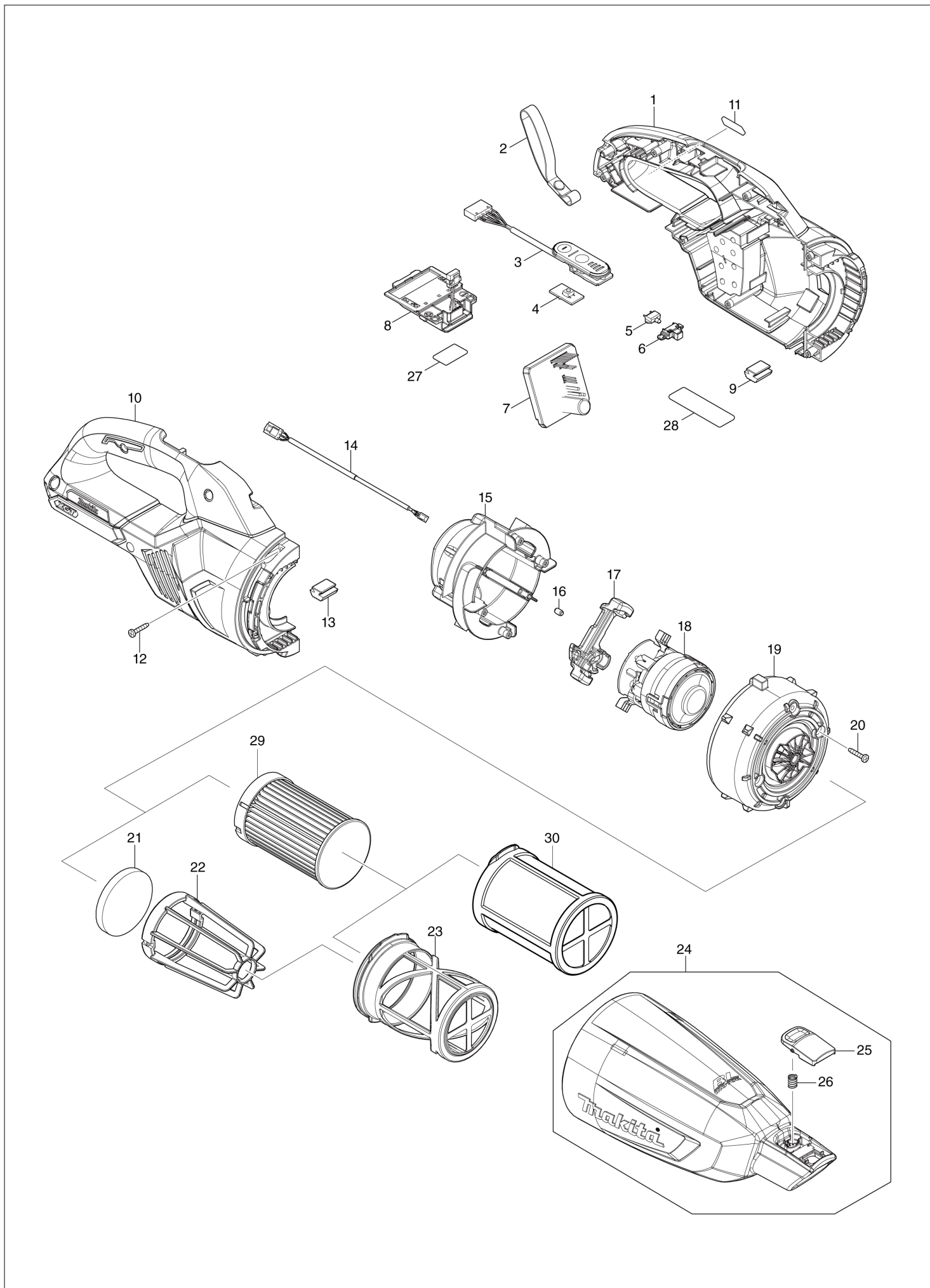


Robbantott ábra / Alkatrészlista

CL001G

Akkumulátoros porszívó

CL001G Akkumulátoros porszívó



CL001G Akkumulátoros porszívó

| Item | Sub | Parts No. | Parts Description | Qty | I/C | E/C No. | Close No. | Remark |
|--|-----|-----------|-----------------------------|-----|-----|---------|---|--------|
| 001A | | 183T43-8 | HOUSING SET | 1 | | | | |
| 001B | | 183T43-8 | HOUSING SET | 1 | | | | |
| 001C | | 183T18-7 | HOUSING SET | 1 | | | | |
| 001D | | 183T18-7 | HOUSING SET | 1 | | | | |
| | C10 | 263005-3 | RUBBER PIN 6 | 2 | | | | |
| | C20 | 422714-5 | SPONGE SEAT | 2 | | | | |
| | D10 | | INC. 9,10,13 | | | | | |
| 003 | | 141B54-1 | INDICATION CIRCUIT COMPLETE | 1 | | | | |
| | C10 | 8031J2-9 | SWITCH LABEL | 1 | | | | |
| 004 | | 620E74-1 | SWITCH UNIT | 1 | | | | |
| 005 | | 620E82-2 | LED CIRCUIT | 1 | | | | |
| 006 | | 459478-8 | LENS CASE | 1 | | | | |
| 007 | | 620E90-3 | CONTROLLER | 1 | | | | |
| | C10 | 688163-8 | LINE FILTER | 1 | | | | |
| 008 | | 632P65-6 | TERMINAL UNIT | 1 | | | | |
| 009 | | 422460-0 | RUBBER PLATE | 1 | | | | |
| 010A | | 183T43-8 | HOUSING SET | 1 | | | | |
| 010B | | 183T43-8 | HOUSING SET | 1 | | | | |
| 010C | | 183T18-7 | HOUSING SET | 1 | | | | |
| 010D | | 183T18-7 | HOUSING SET | 1 | | | | |
| | C10 | 263005-3 | RUBBER PIN 6 | 2 | | | | |
| | C20 | 422714-5 | SPONGE SEAT | 2 | | | | |
| | D10 | | INC. 1,9,13 | | | | | |
| 011 | | 8005T5-8 | XGT LOGO LABEL | 1 | | | | |
| 012 | | 266429-2 | TAPPING SCREW 3X16 | 7 | | | | |
| 013 | | 422460-0 | RUBBER PLATE | 1 | | | | |
| 014 | | 632S32-9 | LEAD UNIT | 1 | | | | |
| 015 | | 141E55-7 | MOTOR COVER R COMPLETE | 1 | | | | |
| | D10 | | INC. 16 | | | | | |
| 016 | | 263002-9 | RUBBER PIN 4 | 4 | | | | |
| 017 | | 422723-4 | MOTOR COVER SEAL | 1 | | | | |
| 018 | | 629A46-9 | MOTOR ASSEMBLY | 1 | | | | |
| 019 | | 413645-9 | MOTOR COVER F | 1 | | | | |
| 020 | | 266429-2 | TAPPING SCREW 3X16 | 4 | | | | |
| 021 | | 422268-2 | SPONGE SHEET 57 | 1 | | | | |
| 022 | | 458467-0 | STAY | 1 | | | | |
| 023 | | 199966-0 | EASY SHAKE OFF FILTER B SET | 1 | | | | |
| 024A | | 136449-9 | CAPSULE ASSY | 1 | | | | |
| 024B | | 136449-9 | CAPSULE ASSY | 1 | | | | |
| 024C | | 136400-9 | CAPSULE ASS'Y | 1 | | | | |
| 024D | | 136400-9 | CAPSULE ASS'Y | 1 | | | | |
| | C10 | 266326-2 | TAPPING SCREW 4X18 | 1 | | | | |
| | C20 | 941051-3 | FLAT WASHER 4 | 1 | | | | |
| | C30 | 424208-6 | VALVE | 1 | | | | |
| | D10 | | INC. 25,26 | | | | | |
| 025 | | 458939-5 | BUTTON A | 1 | | | | |
| 026 | | 232485-4 | COMPRESSION SPRING 5 | 1 | | | | |
| 027 | | 811M37-8 | CL001G SERIAL NO. LABEL | 1 | | | | |
| 028 | | 811M30-2 | CL001G NAME PLATE | 1 | | | | |
| A01A | | 127828-2 | NOZZLE ASSEMBLY | 1 | | | | |
| A01B | | 127828-2 | NOZZLE ASSEMBLY | 1 | | | | |
| A01C | | 127825-8 | NOZZLE ASSEMBLY | 1 | | | | |
| A01D | | 127825-8 | NOZZLE ASSEMBLY | 1 | | | | |
| A02A | | 413809-5 | SASH NOZZLE | 1 | | | | |
| A02B | | 413809-5 | SASH NOZZLE | 1 | | | | |
| A02C | | 413770-6 | SASH NOZZLE | 1 | | | | |
| A02D | | 413770-6 | SASH NOZZLE | 1 | | | | |
| A03A | | 456585-8 | SASH NOZZLE HOLDER | 1 | | | DB541 | |
| A03B | | 456585-8 | SASH NOZZLE HOLDER | 1 | | | DB541 | |
| A03C | | 459354-6 | NOZZLE HOLDER | 1 | | | | |
| A03D | | 459354-6 | NOZZLE HOLDER | 1 | | | | |
| A03-1A | | 459038-6 | NOZZLE HOLDER | 1 | < | DB541 | | |
| A03-1B | | 459038-6 | NOZZLE HOLDER | 1 | < | DB541 | | |
| A04A | | 458942-6 | PIPE | 1 | | | | |
| A04B | | 458942-6 | PIPE | 1 | | | | |
| A:CL001GZ04(N) B:CL001GA109(H) C:CL001GZ10(N) D:CL001GD217(H) | | | | | | | Interchange O : Yes X : No < : the new part can be substituted for the current. > : the current part can be substituted for the new. S : Interchangeable as a set. | |

