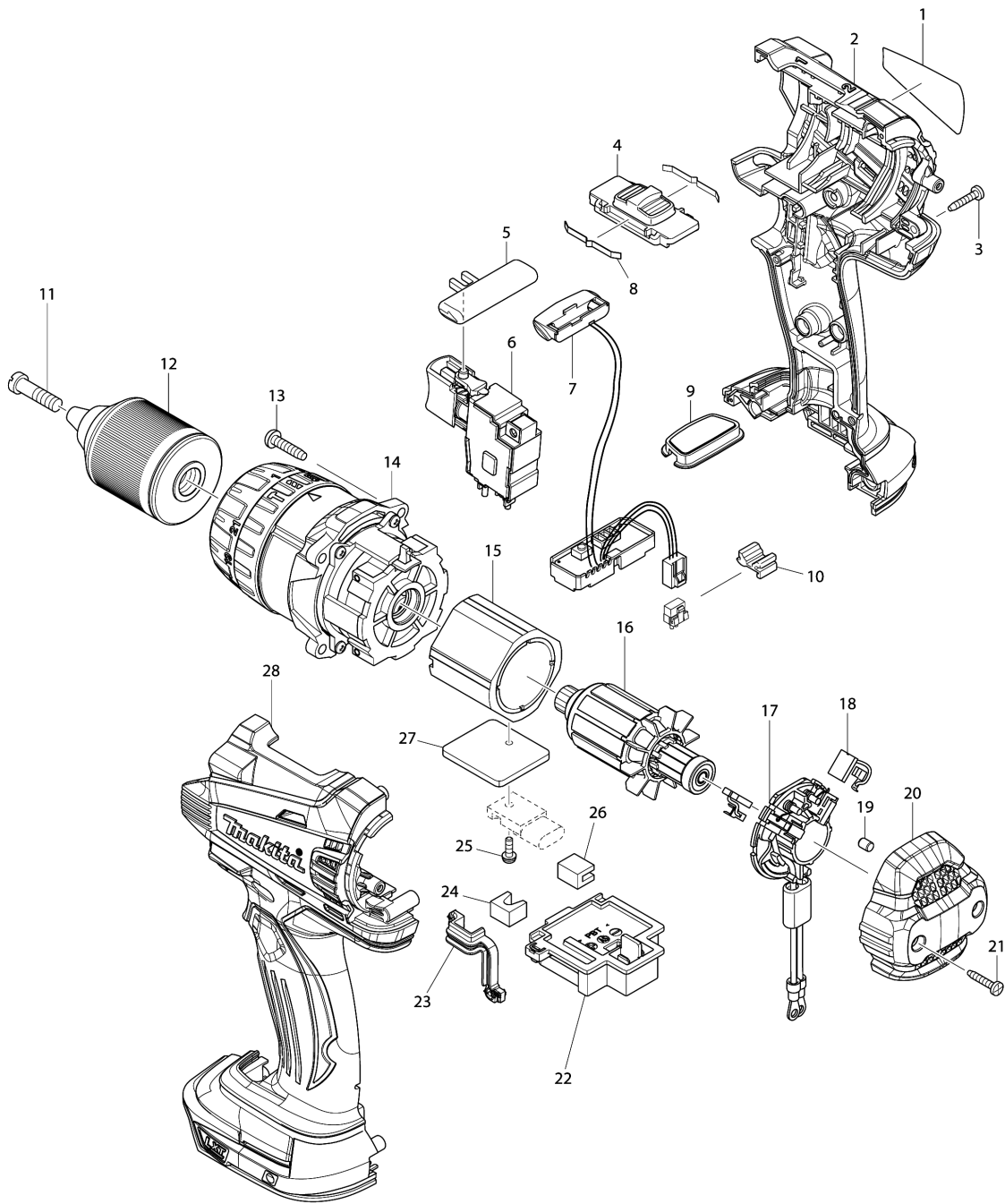


Model No.DHP458 CORDLESS HAMMER DRIVER DRILL



Model No.DHP458 CORDLESS HAMMER DRIVER DRILL

Tétel	Cikkszám	Megnevezés	Átalakulás	Menny.	New/Old	Opc 1	Opc 2	Megjegyzés
001	814Y76-9	DHP458 NAME PLATE		1				
002G	187430-3	Ú MOTORHÁZ BDF458		1				
002H	187430-3	Ú MOTORHÁZ BDF458		1				
002I	187430-3	Ú MOTORHÁZ BDF458		1				
002J	187430-3	Ú MOTORHÁZ BDF458		1				
002K	187430-3	Ú MOTORHÁZ BDF458		1				
002L	187430-3	Ú MOTORHÁZ BDF458		1				
002M	187430-3	Ú MOTORHÁZ BDF458		1				
002N	187430-3	Ú MOTORHÁZ BDF458		1				
002O	187930-3	HOUSING SET		1				
002P	187930-3	HOUSING SET		1				
002Q	187930-3	HOUSING SET		1				
002R	187430-3	Ú MOTORHÁZ BDF458		1				
C10	263005-3	GUMI CSAPSZEG 6 263005-3		2				
C20	252126-6	HEX. LOCK NUT M4-7		2				
D10		INC. 28						
003	266130-9	ÖNMETSZŐ CSAVAR M3X16*		7				
004	126100-9	SPEED CHANGE LEVER ASSEMBLY		1				
C10	233438-6	COMPRESSION SPRING 4		2				
005	419250-0	VÁLTÓKAPCSOLÓ /BDF442		1				
006	650724-4	SWITCH TG573FSB-3		1				
007	620138-1	LIGHT CIRCUIT		1				
008	232220-0	LAPRUGÓ /6319DWFE		2				
009	140963-9	SWITCH PLATE COMPLETE		1				
010	424476-1	CUSHION		1				
011	251468-5	CSAVAR M6X22		1				
012G	766015-4	KEYLESS DRILL CHUCK 13		1	*			
012H	766015-4	KEYLESS DRILL CHUCK 13		1	*			
012I	766015-4	KEYLESS DRILL CHUCK 13		1	*			
012J	766015-4	KEYLESS DRILL CHUCK 13		1	*			
012K	766015-4	KEYLESS DRILL CHUCK 13		1	*			
012L	766015-4	KEYLESS DRILL CHUCK 13		1	*			
012M	766015-4	KEYLESS DRILL CHUCK 13		1	*			
012N	766015-4	KEYLESS DRILL CHUCK 13		1	*			
012O	766015-4	KEYLESS DRILL CHUCK 13		1	*			
012P	766015-4	KEYLESS DRILL CHUCK 13		1	*			
012Q	766015-4	KEYLESS DRILL CHUCK 13		1	*			
012-1G	763248-2	KEYLESS DRILL CHUCK 13	<	1				
012-1H	763248-2	KEYLESS DRILL CHUCK 13	<	1				
012-1I	763248-2	KEYLESS DRILL CHUCK 13	<	1				

Please order the parts with part number.

Print Date 2020/4/16

Model No.DHP458 CORDLESS HAMMER DRIVER DRILL

Tétel	Cikkszám	Megnevezés	Átalakulás	Menny.	New/Old	Opc 1	Opc 2	Megjegyzés
012-1J	763248-2	KEYLESS DRILL CHUCK 13	<	1				
012-1K	763248-2	KEYLESS DRILL CHUCK 13	<	1				
012-1L	763248-2	KEYLESS DRILL CHUCK 13	<	1				
012-1M	763248-2	KEYLESS DRILL CHUCK 13	<	1				
012-1N	763248-2	KEYLESS DRILL CHUCK 13	<	1				
012-1O	763248-2	KEYLESS DRILL CHUCK 13	<	1				
012-1P	763248-2	KEYLESS DRILL CHUCK 13	<	1				
012-1Q	763248-2	KEYLESS DRILL CHUCK 13	<	1				
012-1R	763248-2	KEYLESS DRILL CHUCK 13		1				
013	265995-6	ÖNMETSZŐ CSAVAR M4X18*		4	*			
013-1	266326-2	CSAVAR 4X18	O	4				
014G	126099-8	GEAR ASSEMBLY		1	*			
014H	126099-8	GEAR ASSEMBLY		1	*			
014I	126099-8	GEAR ASSEMBLY		1	*			
014J	126099-8	GEAR ASSEMBLY		1	*			
014K	126099-8	GEAR ASSEMBLY		1	*			
014L	126099-8	GEAR ASSEMBLY		1	*			
014-1G	126448-9	GEAR ASSEMBLY	<	1				
014-1H	126448-9	GEAR ASSEMBLY	<	1				
014-1I	126448-9	GEAR ASSEMBLY	<	1				
014-1J	126448-9	GEAR ASSEMBLY	<	1				
014-1K	126448-9	GEAR ASSEMBLY	<	1				
014-1L	126448-9	GEAR ASSEMBLY	<	1				
014-1M	126448-9	GEAR ASSEMBLY		1				
014-1N	126448-9	GEAR ASSEMBLY		1				
014-1O	126448-9	GEAR ASSEMBLY		1				
014-1P	126448-9	GEAR ASSEMBLY		1				
014-1Q	126448-9	GEAR ASSEMBLY		1				
014-1R	126448-9	GEAR ASSEMBLY		1				
015	638989-8	YOKE UNIT		1				
016G	619301-1	ARMATURE		1	*			
016H	619301-1	ARMATURE		1	*			
016I	619301-1	ARMATURE		1	*			
016J	619301-1	ARMATURE		1	*			
016K	619301-1	ARMATURE		1	*			
016L	619301-1	ARMATURE		1	*			
016M	619301-1	ARMATURE		1	*			
016N	619301-1	ARMATURE		1	*			
016O	619301-1	ARMATURE		1	*			
016P	619301-1	ARMATURE		1	*			

Model No.DHP458 CORDLESS HAMMER DRIVER DRILL

Tétel	Cikkszám	Megnevezés	Átalakulás	Menny.	New/Old	Opc 1	Opc 2	Megjegyzés
016Q	619301-1	ARMATURE		1	*			
016-1G	619496-0	ARMATURE	<	1				
016-1H	619496-0	ARMATURE	<	1				
016-1I	619496-0	ARMATURE	<	1				
016-1J	619496-0	ARMATURE	<	1				
016-1K	619496-0	ARMATURE	<	1				
016-1L	619496-0	ARMATURE	<	1				
016-1M	619496-0	ARMATURE	<	1				
016-1N	619496-0	ARMATURE	<	1				
016-1O	619496-0	ARMATURE	<	1				
016-1P	619496-0	ARMATURE	<	1				
016-1Q	619496-0	ARMATURE	<	1				
016-1R	619496-0	ARMATURE		1				
017G	638991-1	BRUSH HOLDER COMPLETE		1	*			
C10	688172-7	LINE FILTER		1	*			
017H	638991-1	BRUSH HOLDER COMPLETE		1	*			
C10	688172-7	LINE FILTER		1	*			
017I	638991-1	BRUSH HOLDER COMPLETE		1	*			
C10	688172-7	LINE FILTER		1	*			
017J	638991-1	BRUSH HOLDER COMPLETE		1	*			
C10	688172-7	LINE FILTER		1	*			
017K	638991-1	BRUSH HOLDER COMPLETE		1	*			
C10	688172-7	LINE FILTER		1	*			
017L	638991-1	BRUSH HOLDER COMPLETE		1	*			
C10	688172-7	LINE FILTER		1	*			
017M	638991-1	BRUSH HOLDER COMPLETE		1	*			
C10	688172-7	LINE FILTER		1	*			
017N	638991-1	BRUSH HOLDER COMPLETE		1	*			
C10	688172-7	LINE FILTER		1	*			
017O	638991-1	BRUSH HOLDER COMPLETE		1	*			
C10	688172-7	LINE FILTER		1	*			
017P	638991-1	BRUSH HOLDER COMPLETE		1	*			
C10	688172-7	LINE FILTER		1	*			
017Q	638991-1	BRUSH HOLDER COMPLETE		1	*			
C10	688172-7	LINE FILTER		1	*			
017-1G	632K64-8	BRUSH HOLDER COMPLETE	<	1				
C10	688172-7	LINE FILTER		1				
017-1H	632K64-8	BRUSH HOLDER COMPLETE	<	1				
C10	688172-7	LINE FILTER		1				
017-1I	632K64-8	BRUSH HOLDER COMPLETE	<	1				
C10	688172-7	LINE FILTER		1				

Model No.DHP458 CORDLESS HAMMER DRIVER DRILL

Tétel	Cikkszám	Megnevezés	Átalakulás	Menny.	New/Old	Opc 1	Opc 2	Megjegyzés
017-1J	632K64-8	BRUSH HOLDER COMPLETE	<	1				
C10	688172-7	LINE FILTER		1				
017-1K	632K64-8	BRUSH HOLDER COMPLETE	<	1				
C10	688172-7	LINE FILTER		1				
017-1L	632K64-8	BRUSH HOLDER COMPLETE	<	1				
C10	688172-7	LINE FILTER		1				
017-1M	632K64-8	BRUSH HOLDER COMPLETE	<	1				
C10	688172-7	LINE FILTER		1				
017-1N	632K64-8	BRUSH HOLDER COMPLETE	<	1				
C10	688172-7	LINE FILTER		1				
017-1O	632K64-8	BRUSH HOLDER COMPLETE	<	1				
C10	688172-7	LINE FILTER		1				
017-1P	632K64-8	BRUSH HOLDER COMPLETE	<	1				
C10	688172-7	LINE FILTER		1				
017-1Q	632K64-8	BRUSH HOLDER COMPLETE	<	1				
C10	688172-7	LINE FILTER		1				
017-1R	632K64-8	BRUSH HOLDER COMPLETE		1				
C10	688172-7	LINE FILTER		1				
018	194427-5	SZÉNKEFE /BDF452RFE		1				
019	263032-0	GUMISTIFT		2				
020G	453394-6	REAR COVER		1				
020H	453394-6	REAR COVER		1				
020I	453394-6	REAR COVER		1				
020J	453394-6	REAR COVER		1				
020K	453394-6	REAR COVER		1				
020L	453394-6	REAR COVER		1				
020M	453394-6	REAR COVER		1				
020N	453394-6	REAR COVER		1				
020O	455146-1	REAR COVER		1				
020P	455146-1	REAR COVER		1				
020Q	455146-1	REAR COVER		1				
020R	453394-6	REAR COVER		1				
021	266130-9	ÖNMETSZŐ CSAVAR M3X16*		2				
022	644808-8	TERMINAL		1				
023	424430-5	SEAL		1				
024	423422-1	SPONGE A		1				
025	911013-5	TRAPÉZFEJŰ CSAVAR M3X10 911013		1				
026	423423-9	SPONGE B		1				
027	689176-2	HEAT SINK		1				
028G	187430-3	Ú MOTORHÁZ BDF458		1				

Model No.DHP458 CORDLESS HAMMER DRIVER DRILL

Tétel	Cikkszám	Megnevezés	Átalakulás	Menny.	New/Old	Opc 1	Opc 2	Megjegyzés
028H	187430-3	Ú MOTORHÁZ BDF458		1				
028I	187430-3	Ú MOTORHÁZ BDF458		1				
028J	187430-3	Ú MOTORHÁZ BDF458		1				
028K	187430-3	Ú MOTORHÁZ BDF458		1				
028L	187430-3	Ú MOTORHÁZ BDF458		1				
028M	187430-3	Ú MOTORHÁZ BDF458		1				
028N	187430-3	Ú MOTORHÁZ BDF458		1				
028O	187930-3	HOUSING SET		1				
028P	187930-3	HOUSING SET		1				
028Q	187930-3	HOUSING SET		1				
028R	187430-3	Ú MOTORHÁZ BDF458		1				
C10	263005-3	GUMI CSAPSZEG 6 263005-3		2				
C20	252126-6	HEX. LOCK NUT M4-7		2				
D10		INC. 2						
A01G	126131-8	GRIP ASSEMBLY		1	*			
C10	154935-8	GRIP 36 COMPLETE		1	*			
C20	266750-9	SQUARE BOLT M8X100		1	*			
C30	346566-9	GRIP SPRING 60		1	*			
C40	453584-1	GRIP BASE 60		1	*			
C50	265785-7	THUMB SCREW M5X10		1	*			
C60	931202-6	HATLAPÚ ANYA M5 931202-6		1	*			
A01H	126131-8	GRIP ASSEMBLY		1	*			
C10	154935-8	GRIP 36 COMPLETE		1	*			
C20	266750-9	SQUARE BOLT M8X100		1	*			
C30	346566-9	GRIP SPRING 60		1	*			
C40	453584-1	GRIP BASE 60		1	*			
C50	265785-7	THUMB SCREW M5X10		1	*			
C60	931202-6	HATLAPÚ ANYA M5 931202-6		1	*			
A01I	126131-8	GRIP ASSEMBLY		1	*			
C10	154935-8	GRIP 36 COMPLETE		1	*			
C20	266750-9	SQUARE BOLT M8X100		1	*			
C30	346566-9	GRIP SPRING 60		1	*			
C40	453584-1	GRIP BASE 60		1	*			
C50	265785-7	THUMB SCREW M5X10		1	*			
C60	931202-6	HATLAPÚ ANYA M5 931202-6		1	*			
A01J	126131-8	GRIP ASSEMBLY		1	*			
C10	154935-8	GRIP 36 COMPLETE		1	*			
C20	266750-9	SQUARE BOLT M8X100		1	*			
C30	346566-9	GRIP SPRING 60		1	*			

Model No.DHP458 CORDLESS HAMMER DRIVER DRILL

Tétel	Cikkszám	Megnevezés	Átalakulás	Menny.	New/Old	Opc 1	Opc 2	Megjegyzés
C40	453584-1	GRIP BASE 60		1	*			
C50	265785-7	THUMB SCREW M5X10		1	*			
C60	931202-6	HATLAPÚ ANYA M5 931202-6		1	*			
A01K	126131-8	GRIP ASSEMBLY		1	*			
C10	154935-8	GRIP 36 COMPLETE		1	*			
C20	266750-9	SQUARE BOLT M8X100		1	*			
C30	346566-9	GRIP SPRING 60		1	*			
C40	453584-1	GRIP BASE 60		1	*			
C50	265785-7	THUMB SCREW M5X10		1	*			
C60	931202-6	HATLAPÚ ANYA M5 931202-6		1	*			
A01L	126131-8	GRIP ASSEMBLY		1	*			
C10	154935-8	GRIP 36 COMPLETE		1	*			
C20	266750-9	SQUARE BOLT M8X100		1	*			
C30	346566-9	GRIP SPRING 60		1	*			
C40	453584-1	GRIP BASE 60		1	*			
C50	265785-7	THUMB SCREW M5X10		1	*			
C60	931202-6	HATLAPÚ ANYA M5 931202-6		1	*			
A01M	126131-8	GRIP ASSEMBLY		1	*			
C10	154935-8	GRIP 36 COMPLETE		1	*			
C20	266750-9	SQUARE BOLT M8X100		1	*			
C30	346566-9	GRIP SPRING 60		1	*			
C40	453584-1	GRIP BASE 60		1	*			
C50	265785-7	THUMB SCREW M5X10		1	*			
C60	931202-6	HATLAPÚ ANYA M5 931202-6		1	*			
A01N	126131-8	GRIP ASSEMBLY		1	*			
C10	154935-8	GRIP 36 COMPLETE		1	*			
C20	266750-9	SQUARE BOLT M8X100		1	*			
C30	346566-9	GRIP SPRING 60		1	*			
C40	453584-1	GRIP BASE 60		1	*			
C50	265785-7	THUMB SCREW M5X10		1	*			
C60	931202-6	HATLAPÚ ANYA M5 931202-6		1	*			
A01O	126131-8	GRIP ASSEMBLY		1	*			
C10	154935-8	GRIP 36 COMPLETE		1	*			
C20	266750-9	SQUARE BOLT M8X100		1	*			
C30	346566-9	GRIP SPRING 60		1	*			
C40	453584-1	GRIP BASE 60		1	*			
C50	265785-7	THUMB SCREW M5X10		1	*			
C60	931202-6	HATLAPÚ ANYA M5 931202-6		1	*			

Model No.DHP458 CORDLESS HAMMER DRIVER DRILL

Tétel	Cikkszám	Megnevezés	Átalakulás	Menny.	New/Old	Opc 1	Opc 2	Megjegyzés
A01P	126131-8	GRIP ASSEMBLY		1	*			
C10	154935-8	GRIP 36 COMPLETE		1	*			
C20	266750-9	SQUARE BOLT M8X100		1	*			
C30	346566-9	GRIP SPRING 60		1	*			
C40	453584-1	GRIP BASE 60		1	*			
C50	265785-7	THUMB SCREW M5X10		1	*			
C60	931202-6	HATLAPÚ ANYA M5 931202-6		1	*			
A01-1G	123257-7	GRIP ASSEMBLY	<	1				
C10	154935-8	GRIP 36 COMPLETE		1				
C20	266899-5	SQUARE BOLT M8X140		1				
C30	346566-9	GRIP SPRING 60		1				
C40	455189-3	GRIP BASE 60		1				
C50	265785-7	THUMB SCREW M5X10		1				
C60	931202-6	HATLAPÚ ANYA M5 931202-6		1				
A01-1H	123257-7	GRIP ASSEMBLY	<	1				
C10	154935-8	GRIP 36 COMPLETE		1				
C20	266899-5	SQUARE BOLT M8X140		1				
C30	346566-9	GRIP SPRING 60		1				
C40	455189-3	GRIP BASE 60		1				
C50	265785-7	THUMB SCREW M5X10		1				
C60	931202-6	HATLAPÚ ANYA M5 931202-6		1				
A01-1I	123257-7	GRIP ASSEMBLY	<	1				
C10	154935-8	GRIP 36 COMPLETE		1				
C20	266899-5	SQUARE BOLT M8X140		1				
C30	346566-9	GRIP SPRING 60		1				
C40	455189-3	GRIP BASE 60		1				
C50	265785-7	THUMB SCREW M5X10		1				
C60	931202-6	HATLAPÚ ANYA M5 931202-6		1				
A01-1J	123257-7	GRIP ASSEMBLY	<	1				
C10	154935-8	GRIP 36 COMPLETE		1				
C20	266899-5	SQUARE BOLT M8X140		1				
C30	346566-9	GRIP SPRING 60		1				
C40	455189-3	GRIP BASE 60		1				
C50	265785-7	THUMB SCREW M5X10		1				
C60	931202-6	HATLAPÚ ANYA M5 931202-6		1				
A01-1K	123257-7	GRIP ASSEMBLY	<	1				
C10	154935-8	GRIP 36 COMPLETE		1				
C20	266899-5	SQUARE BOLT M8X140		1				
C30	346566-9	GRIP SPRING 60		1				

Please order the parts with part number.

Print Date 2020/4/16



Model No.DHP458 CORDLESS HAMMER DRIVER DRILL

Tétel	Cikkszám	Megnevezés	Átalakulás	Menny.	New/Old	Opc 1	Opc 2	Megjegyzés
C40	455189-3	GRIP BASE 60		1				
C50	265785-7	THUMB SCREW M5X10		1				
C60	931202-6	HATLAPÚ ANYA M5 931202-6		1				
A01-1L	123257-7	GRIP ASSEMBLY	<	1				
C10	154935-8	GRIP 36 COMPLETE		1				
C20	266899-5	SQUARE BOLT M8X140		1				
C30	346566-9	GRIP SPRING 60		1				
C40	455189-3	GRIP BASE 60		1				
C50	265785-7	THUMB SCREW M5X10		1				
C60	931202-6	HATLAPÚ ANYA M5 931202-6		1				
A01-1M	123257-7	GRIP ASSEMBLY	<	1				
C10	154935-8	GRIP 36 COMPLETE		1				
C20	266899-5	SQUARE BOLT M8X140		1				
C30	346566-9	GRIP SPRING 60		1				
C40	455189-3	GRIP BASE 60		1				
C50	265785-7	THUMB SCREW M5X10		1				
C60	931202-6	HATLAPÚ ANYA M5 931202-6		1				
A01-1N	123257-7	GRIP ASSEMBLY	<	1				
C10	154935-8	GRIP 36 COMPLETE		1				
C20	266899-5	SQUARE BOLT M8X140		1				
C30	346566-9	GRIP SPRING 60		1				
C40	455189-3	GRIP BASE 60		1				
C50	265785-7	THUMB SCREW M5X10		1				
C60	931202-6	HATLAPÚ ANYA M5 931202-6		1				
A01-1O	123257-7	GRIP ASSEMBLY	<	1				
C10	154935-8	GRIP 36 COMPLETE		1				
C20	266899-5	SQUARE BOLT M8X140		1				
C30	346566-9	GRIP SPRING 60		1				
C40	455189-3	GRIP BASE 60		1				
C50	265785-7	THUMB SCREW M5X10		1				
C60	931202-6	HATLAPÚ ANYA M5 931202-6		1				
A01-1P	123257-7	GRIP ASSEMBLY	<	1				
C10	154935-8	GRIP 36 COMPLETE		1				
C20	266899-5	SQUARE BOLT M8X140		1				
C30	346566-9	GRIP SPRING 60		1				
C40	455189-3	GRIP BASE 60		1				
C50	265785-7	THUMB SCREW M5X10		1				
C60	931202-6	HATLAPÚ ANYA M5 931202-6		1				

Model No.DHP458 CORDLESS HAMMER DRIVER DRILL

Tétel	Cikkszám	Megnevezés	Átalakulás	Menny.	New/Old	Opc 1	Opc 2	Megjegyzés
A01-1Q	123257-7	GRIP ASSEMBLY		1				
C10	154935-8	GRIP 36 COMPLETE		1				
C20	266899-5	SQUARE BOLT M8X140		1				
C30	346566-9	GRIP SPRING 60		1				
C40	455189-3	GRIP BASE 60		1				
C50	265785-7	THUMB SCREW M5X10		1				
C60	931202-6	HATLAPÚ ANYA M5 931202-6		1				
A01-1R	123257-7	GRIP ASSEMBLY		1				
C10	154935-8	GRIP 36 COMPLETE		1				
C20	266899-5	SQUARE BOLT M8X140		1				
C30	346566-9	GRIP SPRING 60		1				
C40	455189-3	GRIP BASE 60		1				
C50	265785-7	THUMB SCREW M5X10		1				
C60	931202-6	HATLAPÚ ANYA M5 931202-6		1				
A02	251314-2	CSAVAR M4X12 LS0810/2012		2				
A03	346317-0	HOROG BDF456/BHP456		1				
A04	452947-8	BITTARTÓ AKKUS GÉPHEZ		1				
A05	784637-8	BIT (+-) SZERSZÁM NR. 2, 45 MM, 1/		2				
A06	122576-8	MÉLYSÉGBEÁLLÍTÓ VEZETŐSÍN 6843		1				
A07G	***DC18RC	DC18RC FAST CHARGER		1				
A07I	***DC18RC	DC18RC FAST CHARGER		1				
A07J	821550-0	T2 KOFFER 396X296X157		1				
C10	453974-8	LATCH		4				
A07K	***DC18RC	DC18RC FAST CHARGER		1				
A07L	***DC18RC	DC18RC FAST CHARGER		1				
A07M	***DC18RC	DC18RC FAST CHARGER		1				
A07N	***DC18RC	DC18RC FAST CHARGER		1				
A07O	***DC18RC	DC18RC FAST CHARGER		1				
A07P	***DC18RC	DC18RC FAST CHARGER		1				
A07Q	***DC18RC	DC18RC FAST CHARGER		1				
A07R	***DC18RC	DC18RC FAST CHARGER		1				
A08G	194204-5	AKKU BL1830 18V 3,0AH LI- ION AKKUMULÁTOR		2	*			
A08I	194204-5	AKKU BL1830 18V 3,0AH LI- ION AKKUMULÁTOR		2	*			
A08J	837679-2	INNER TRAY		1	*			
A08K	196399-0	BATTERY BL1840 SET		2	*			
A08L	196399-0	BATTERY BL1840 SET		2	*			
A08M	194204-5	AKKU BL1830 18V 3,0AH LI- ION AKKUMULÁTOR		3	*			

Model No.DHP458 CORDLESS HAMMER DRIVER DRILL

Tétel	Cikkszám	Megnevezés	Átalakulás	Menny.	New/Old	Opc 1	Opc 2	Megjegyzés
A08N	194204-5	AKKU BL1830 18V 3,0AH LI-ION AKKUMULÁTOR		3	*			
A08O	194204-5	AKKU BL1830 18V 3,0AH LI-ION AKKUMULÁTOR		3	*			
A08P	196399-0	BATTERY BL1840 SET		2	*			
A08Q	196399-0	BATTERY BL1840 SET		2	*			
A08-1G	194204-5	AKKU BL1830 18V 3,0AH LI-ION AKKUMULÁTOR	O	2	*			
A08-1I	194204-5	AKKU BL1830 18V 3,0AH LI-ION AKKUMULÁTOR	O	2	*			
A08-1J	837916-4	INNER TRAY	<	1				
A08-1K	196399-0	BATTERY BL1840 SET	O	2	*			
A08-1L	196399-0	BATTERY BL1840 SET	O	2	*			
A08-1M	194204-5	AKKU BL1830 18V 3,0AH LI-ION AKKUMULÁTOR	O	3	*			
A08-1N	194204-5	AKKU BL1830 18V 3,0AH LI-ION AKKUMULÁTOR	O	3	*			
A08-1O	194204-5	AKKU BL1830 18V 3,0AH LI-ION AKKUMULÁTOR	O	3	*			
A08-1P	196399-0	BATTERY BL1840 SET	O	2	*			
A08-1Q	196399-0	BATTERY BL1840 SET	O	2	*			
A08-2G	197600-6	BATTERY BL1830B SET	<	2	*			
A08-2I	197600-6	BATTERY BL1830B SET	<	2	*			
A08-2K	197265-4	BATTERY BL1840B SET	<	2	*			
A08-2L	197265-4	BATTERY BL1840B SET	<	2	*			
A08-2M	197600-6	BATTERY BL1830B SET	<	3	*			
A08-2N	197600-6	BATTERY BL1830B SET	<	3	*			
A08-2O	197600-6	BATTERY BL1830B SET	<	3	*			
A08-2P	197265-4	BATTERY BL1840B SET	<	2	*			
A08-2Q	197265-4	BATTERY BL1840B SET	<	2	*			
A08-2R	197280-8	BATTERY BL1850B SET		2	*			
A08-3G	197600-6	BATTERY BL1830B SET	O	2				
A08-3I	197600-6	BATTERY BL1830B SET	O	2				
A08-3K	197265-4	BATTERY BL1840B SET	O	2				
A08-3L	197265-4	BATTERY BL1840B SET	O	2				
A08-3M	197600-6	BATTERY BL1830B SET	O	3				
A08-3N	197600-6	BATTERY BL1830B SET	O	3				
A08-3O	197600-6	BATTERY BL1830B SET	O	3				
A08-3P	197265-4	BATTERY BL1840B SET	O	2				
A08-3Q	197265-4	BATTERY BL1840B SET	O	2				
A08-3R	197280-8	BATTERY BL1850B SET	O	2				
A09G	450128-8	BATTERY COVER		1				
A09I	450128-8	BATTERY COVER		1				
A09J	802J35-5	DHP458ZJ INDICATION LABEL		1				
A09K	450128-8	BATTERY COVER		1				

Please order the parts with part number.

Print Date 2020/4/16

Model No.DHP458 CORDLESS HAMMER DRIVER DRILL

Tétel	Cikkszám	Megnevezés	Átalakulás	Menny.	New/Old	Opc 1	Opc 2	Megjegyzés
A09L	450128-8	BATTERY COVER		1				
A09M	450128-8	BATTERY COVER		2				
A09N	450128-8	BATTERY COVER		2				
A09O	450128-8	BATTERY COVER		2				
A09P	450128-8	BATTERY COVER		1				
A09Q	450128-8	BATTERY COVER		1				
A09R	450128-8	BATTERY COVER		1				
A10G	821524-1	PLASTIC CARRYING CASE		1				
C10	162302-3	LATCH		2				
C20	325809-2	SHAFT		1				
C30	451749-9	HANDLE		1				
C40	453473-0	PLASTIC CASE LID		1				
A10I	821550-0	T2 KOFFER 396X296X157		1				
C10	453974-8	LATCH		4				
A10J	802J36-3	DHP458ZJ PLASTIC CASE LABEL		2				
A10K	821524-1	PLASTIC CARRYING CASE		1				
C10	162302-3	LATCH		2				
C20	325809-2	SHAFT		1				
C30	451749-9	HANDLE		1				
C40	453473-0	PLASTIC CASE LID		1				
A10L	821550-0	T2 KOFFER 396X296X157		1				
C10	453974-8	LATCH		4				
A10M	821550-0	T2 KOFFER 396X296X157		1				
C10	453974-8	LATCH		4				
A10N	821524-1	PLASTIC CARRYING CASE		1				
C10	162302-3	LATCH		2				
C20	325809-2	SHAFT		1				
C30	451749-9	HANDLE		1				
C40	453473-0	PLASTIC CASE LID		1				
A10O	821550-0	T2 KOFFER 396X296X157		1				
C10	453974-8	LATCH		4				
A10P	123252-7	ALUMINUM CASE ASSEMBLY		1				
A10Q	821524-1	PLASTIC CARRYING CASE		1				
C10	162302-3	LATCH		2				
C20	325809-2	SHAFT		1				
C30	451749-9	HANDLE		1				
C40	453473-0	PLASTIC CASE LID		1				
A10R	821550-0	T2 KOFFER 396X296X157		1				
C10	453974-8	LATCH		4				
A11G	802J57-5	DHP458RFE PLASTIC CASE LABEL		2	*			

Model No.DHP458 CORDLESS HAMMER DRIVER DRILL

Tétel	Cikkszám	Megnevezés	Átalakulás	Menny.	New/Old	Opc 1	Opc 2	Megjegyzés
A11I	837679-2	INNER TRAY		1	*			
A11K	802J42-8	DHP458RME PLASTIC CASE LABEL		2	*			
A11L	837679-2	INNER TRAY		1	*			
A11M	837679-2	INNER TRAY		1	*			
A11N	802J61-4	DHP458RFE3 PLASTIC CASE LABEL		2	*			
A11P	D-30667	T2 BITKÉSZLET 31DB-OS STANDARD		1				
A11Q	804W33-3	DHP458RMEW PLASTIC CASE LABEL		2				
A11-1G	802J59-1	DHP458RFE PLASTIC CASE LABEL	<	2				
A11-1I	837916-4	INNER TRAY	<	1				
A11-1K	802J41-0	DHP458RME PLASTIC CASE LABEL	<	2				
A11-1L	837916-4	INNER TRAY	<	1				
A11-1M	837916-4	INNER TRAY	<	1				
A11-1N	810L75-1	DHP458RFE3 PLASTIC CASE LABEL	<	2				
A11-1O	837916-4	INNER TRAY		1				
A11-1R	837916-4	INNER TRAY		1				
A12I	802J33-9	DHP458RFJ INDICATION LABEL		1				
A12L	802J44-4	DHP458RMJ INDICATION LABEL		1	*			
A12M	802J48-6	DHP458RF3J INDICATION LABEL		1				
A12O	803R44-5	DHP458F3WJ INDICATION LABEL		1				
A12-1L	806W42-8	DHP458RMJ INDICATION LABEL	<	1				
A12-1R	808W31-9	DHP458RTJ INDICATION LABEL		1				
A13I	802J34-7	DHP458RFJ PLASTIC CASE LABEL		2				
A13L	802J45-2	DHP458RMJ PLASTIC CASE LABEL		2				
A13M	802J49-4	DHP458RF3J PLASTIC CASE LABEL		2				
A13O	803R45-3	DHP458F3WJ PLASTIC CASE LABEL		2				
A13R	809S30-0	DHP458RTJ PLASTIC CASE LABEL		2				

Please order the parts with part number.

Print Date 2020/4/16