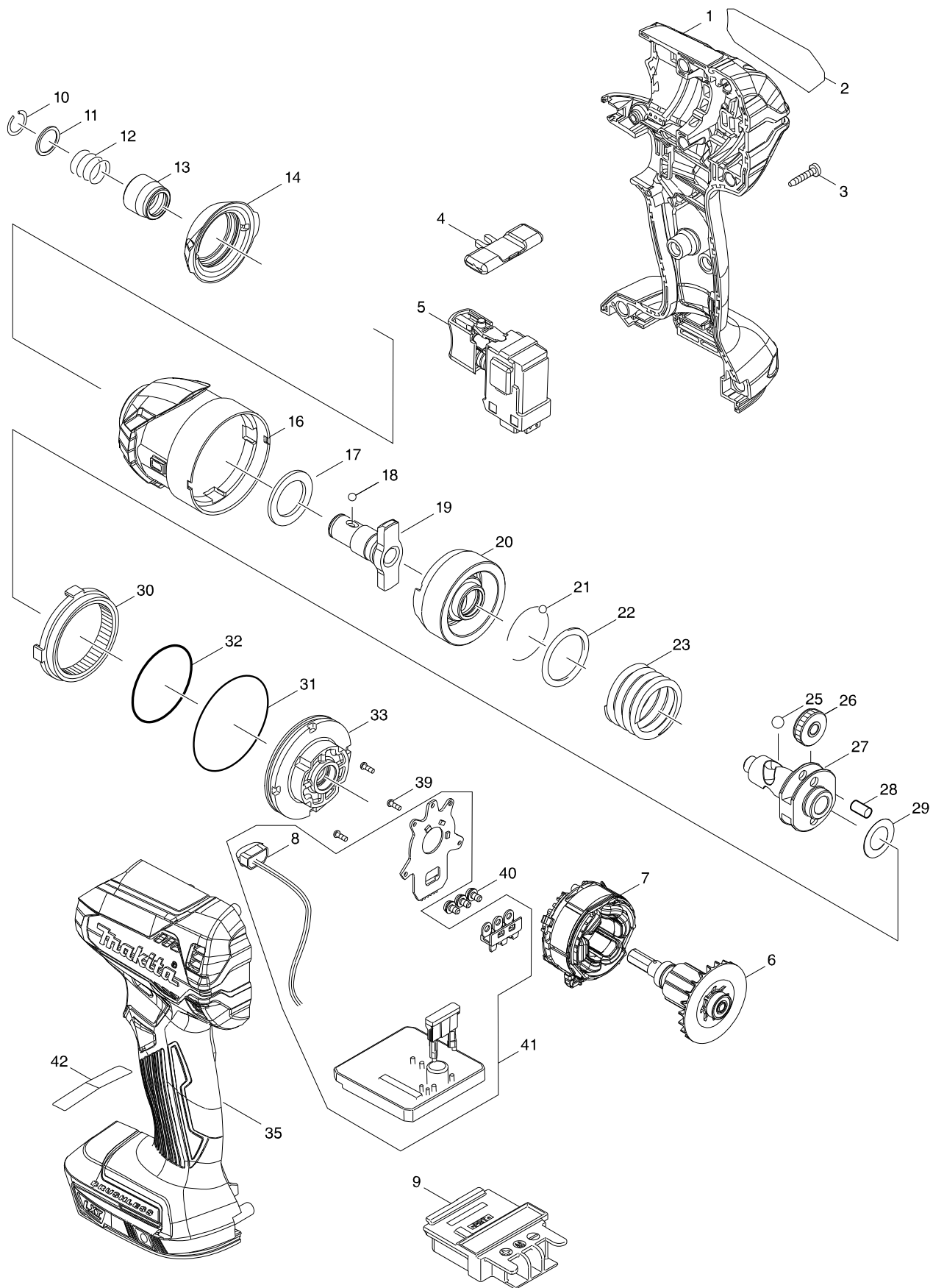


# Modellszám DTD153 CORDLESS IMPACT DRIVER



Tétel	Cikkszám	Megnevezés	Átala	Menny.	N/O	Opc 1	Opc 2	Megjegyzés
001	183E35-7	HOUSING SET		1				
C10	263005-3	RUBBER PIN 6		2				
C20	252126-6	HEX. LOCKING NUT M4-7		2				
D10		INC. 35						
002	852K79-1	DTD153 NAME PLATE		1				
003	266429-2	TAPPING SCREW 3X16		9				
004	455053-8	F/R CHANGE LEVER		1				
005	143975-1	SWITCH COMPLETE		1				
006	619404-1	ROTOR		1				
007	629224-5	STATOR		1				
008	620557-1	LED CIRCUIT		1				
009	643860-3	TERMINAL		1				
010	231951-8	RING SPRING 11		1				
011	267085-1	FLAT WASHER 12		1				
012	233005-7	COMPRESSION SPRING 13		1				
013	326072-0	BIT SLEEVE		1				
014	424888-8	BUMPER		1				
016	143957-3	HAMMER CASE COMPLETE		1				
017	261151-6	NYLON WASHER 19		1				
018	216040-0	STEEL BALL 3.5		2				
019	326565-7	ANVIL M		1				
020	326564-9	HAMMER		1				
021	216040-0	STEEL BALL 3.5		24				
022	267175-0	FLAT WASHER 24		1				
023	234251-5	COMPRESSION SPRING 25		1				
025	216041-8	STEEL BALL 5.6		2				
026	227362-3	SPUR GEAR 22		2				
027	326562-3	SPINDLE		1				
028	256253-1	PIN 5		2				
029	253314-8	THIN WASHER 15		1				
030	227378-8	INTERNAL GEAR 51		1				
031	213606-7	O RING 48		1				
032	213507-9	O RING 40		1				
033	143958-1	BEARING BOX COMPLETE		1				
035	183E35-7	HOUSING SET		1				
C10	263005-3	RUBBER PIN 6		2				
C20	252126-6	HEX. LOCKING NUT M4-7		2				
D10		INC. 1						
039	266490-9	TAPPING SCREW PT 2X6		3				
040	652069-6	FLAT HEAD SCREW M3X6		3				
041	620563-6	CONTROLLER		1				
D10		INC. 8						
A01	266622-8	+ TRUSS HEAD SCREW M4X12		1				
A02	346317-0	HOOK		1				
A03B	450128-8	BATTERY COVER		1				
A03C	450128-8	BATTERY COVER		1				
A04B	***DC18RC	DC18RC FAST CHARGER		1				
D10		COMPO-PARTS						

Tétel	Cikkszám	Megnevezés	Átalak.	Menny.	N/O	Opc 1	Opc 2	Megjegyzés
A04C	***DC18RC	DC18RC FAST CHARGER		1				
D10		COMPO-PARTS						
A05B	197600-6	BATTERY BL1830B SET		2				
A05C	197280-8	BATTERY BL1850B SET		2				
A06B	141856-3	PLASTIC CARRYING CASE COMPLETE		1				
C10	162302-3	LATCH		2				
A06C	821550-0	CONNECTOR PLASTIC CASE (TYPE2)		1				
C10	453974-8	LATCH		4				
A07C	837670-0	INNER TRAY		1				
A08C	809T99-0	DTD153RTJ INDICATION LABEL		1				
A09C	809U00-1	DTD153RTJ PLASTIC CASE LABEL		2				