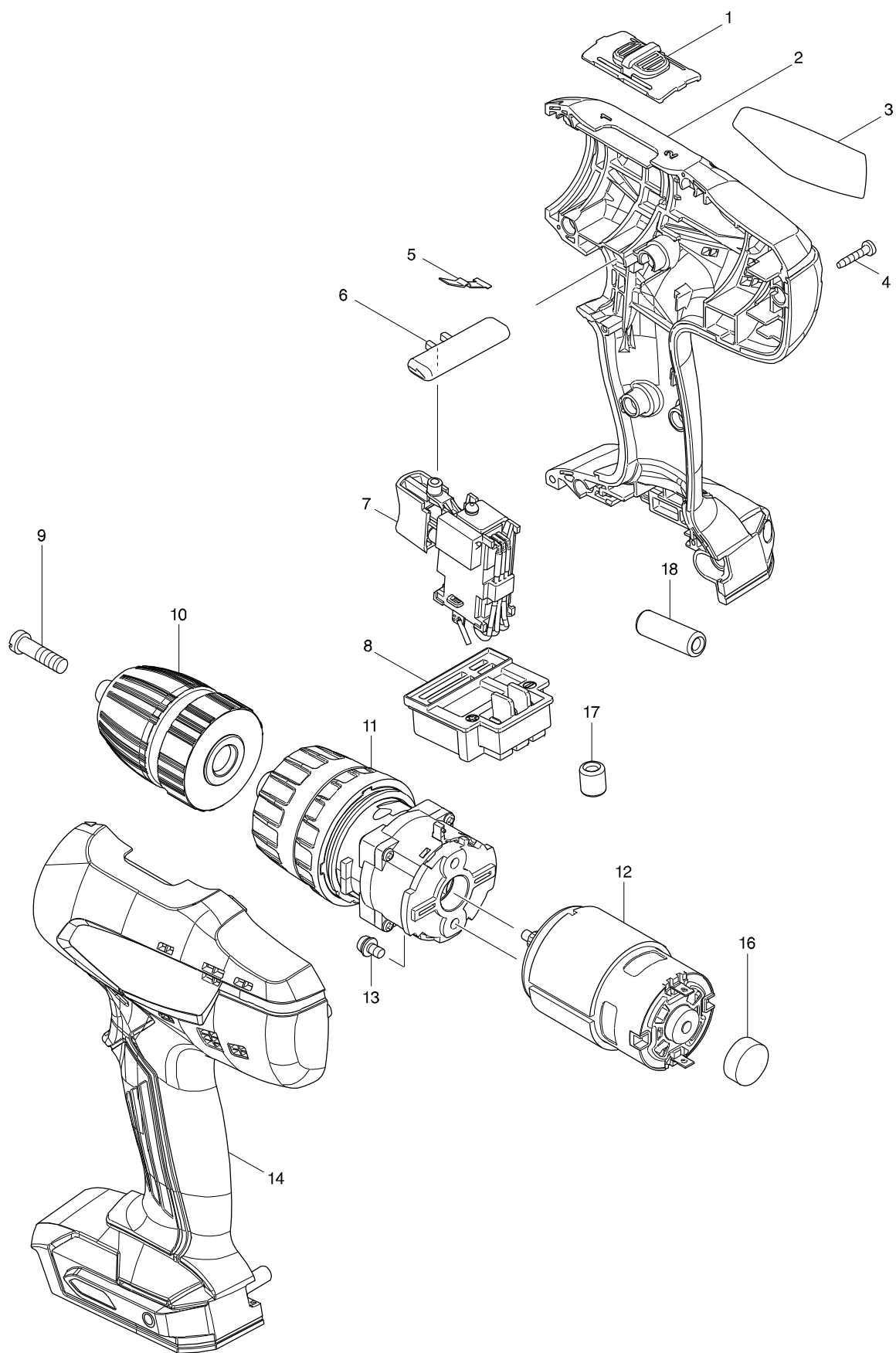


# Modellszám M8301D CORDLESS HAMMER DRIVER DRILL



Tétel	Cikkszám	Megnevezés	Átalak	Menny.	N/O	Opc 1	Opc 2	Megjegyzés
001	125927-4	SPEED CHANGE LEVER ASS'Y		1				
C10	231433-0	COMPRESSION SPRING 4		2				
002	183G21-0	HOUSING SET		1				
C10	252126-6	HEX. LOCKING NUT M4-7		2				
D10		INC. 14						
003	852B93-3	M8301D NAME PLATE		1				
004	266429-2	TAPPING SCREW 3X16		9				
005	232182-2	LEAF SPRING		1				
006	452399-3	F/R CHANGE LEVER		1				
007	638861-4	SWITCH UNIT		1				
D10		INC. 16,17						
008	643862-9	TERMINAL		1				
009	251468-5	- FLAT HEAD SCREW M6X22		1				
010	766013-8	KEYLESS DRILL CHUCK 13		1				
011	140800-7	GEAR ASSEMBLY		1				
012	629834-8	DC MOTOR		1				
013	911108-4	PAN HEAD SCREW M4X8		2				
014	183G21-0	HOUSING SET		1				
C10	252126-6	HEX. LOCKING NUT M4-7		2				
D10		INC. 2						
015	421940-3	CAP		1				
016	688164-6	LINE FILTER		1				
017	688165-4	LINE FILTER		1				
A01	821694-6	PLASTIC CARRYING CASE		1				
C10	452143-8	SHAFT		2				
C20	452432-1	SLIDE LATCH		2				
C30	806G57-9	MAKITA MT LOGO LABEL		1				
A02	812M50-9	M8301DWE PLASTIC CASE LABEL		2				
A03-1	198186-3	BATTERY BL1815G SET		2				
A04	***DC18WA	DC18WA BATTERY CHARGER		1				
A05	452652-7	BATTERY COVER		1				